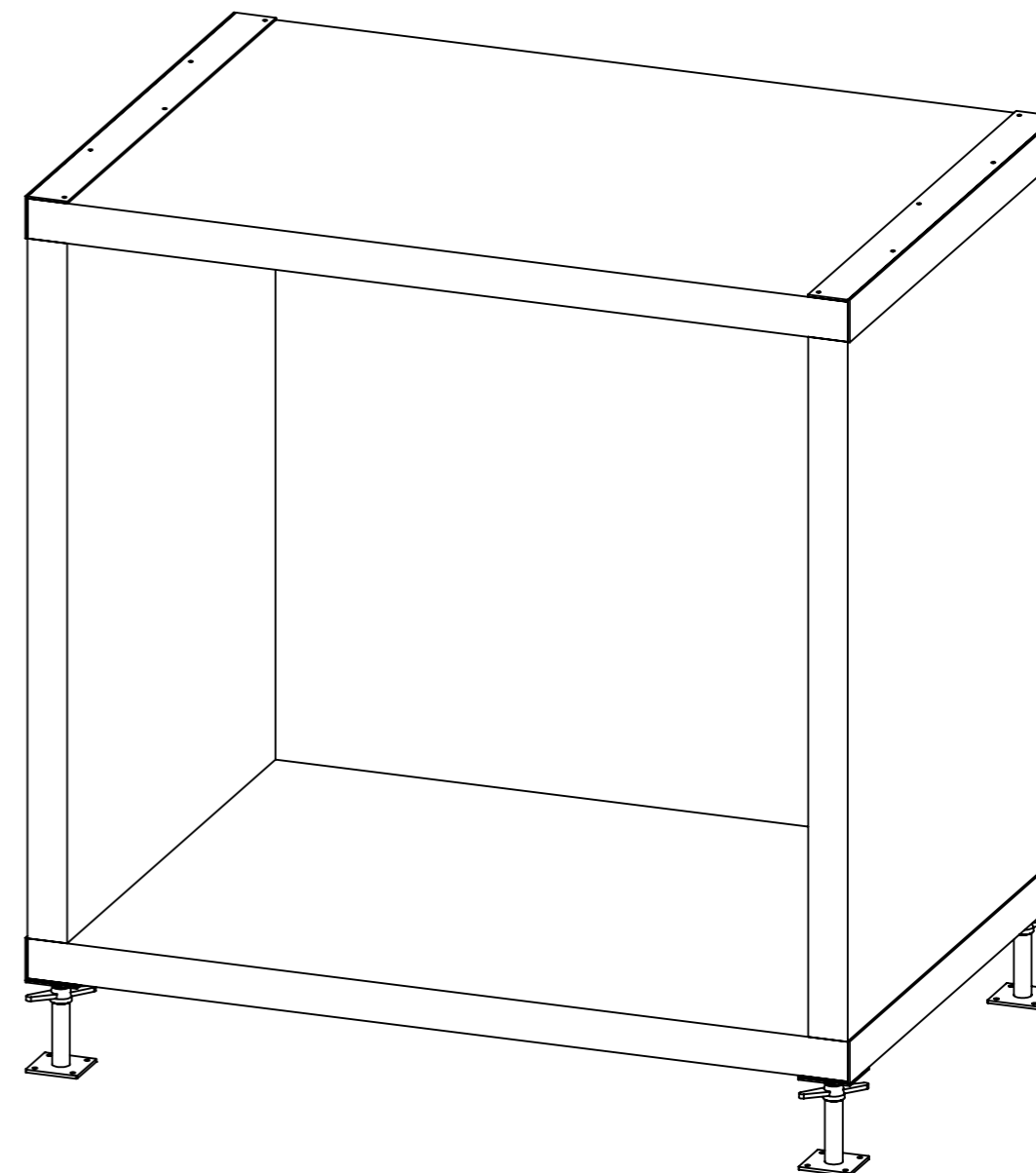
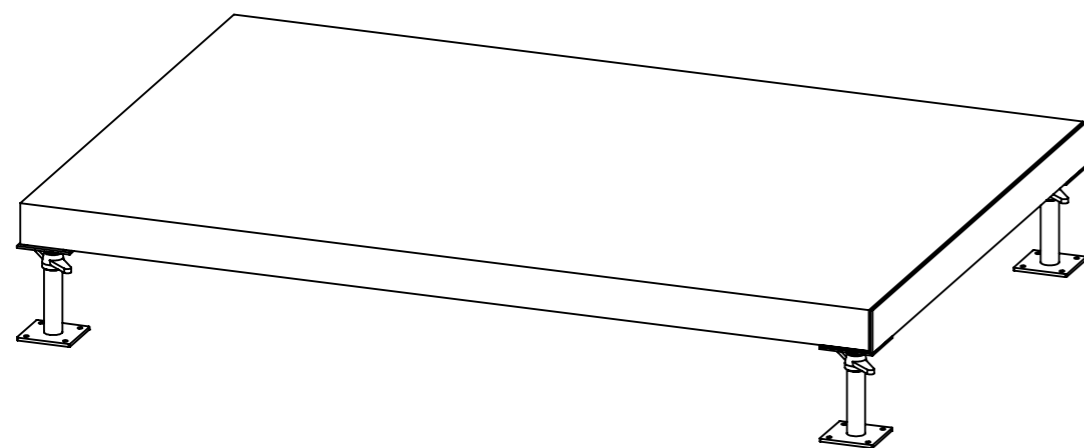
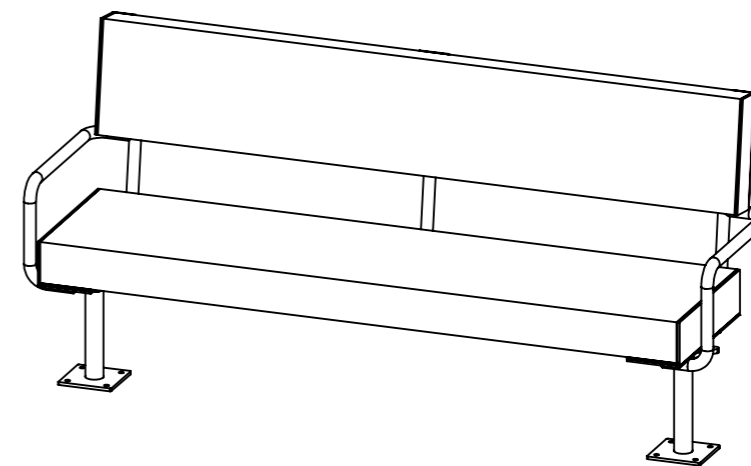


Assembly instructions

Harads

List of content

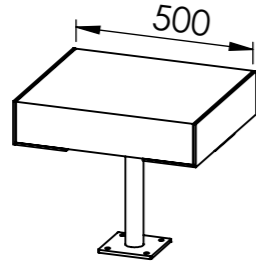
Overview Harads furniture group	s. 2-3
Placement Surface mount	s. 4
Sun deck placement + backrest assembly	s. 5
Box placement	s. 6
Placement in-ground	s. 7
Furnishing	s. 8
Maintenance	s. 9
Dimensional specification	s 10-14



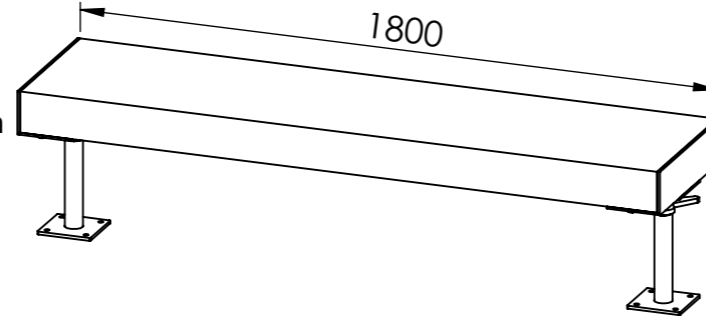
Harads Overview

Ritad av Ulf H
Ritad datum 2023-10-18

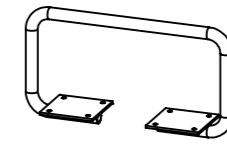
U25-08/50
Harads stool
500 mm



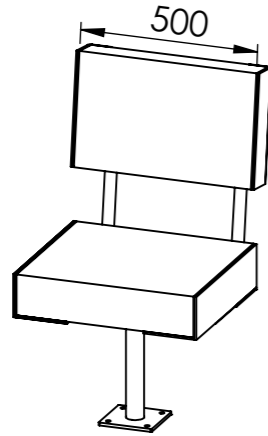
U25-01/180
Harads bench
1800 mm



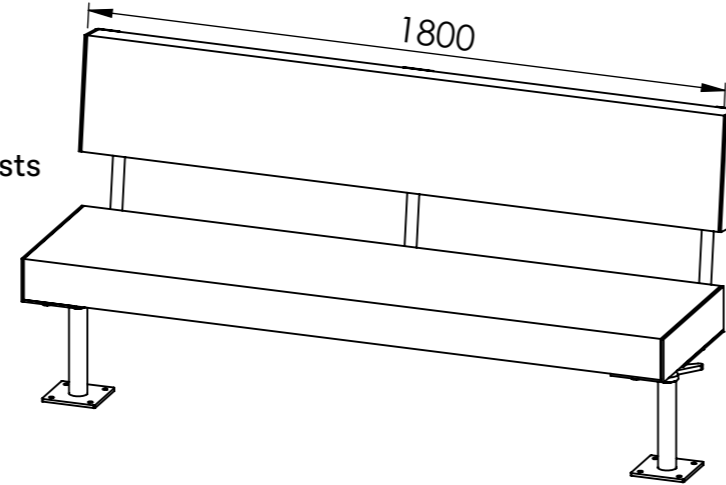
U25-01/ARM
Armrest for Harads
bench. Optional
(Note! Can not be
combined with
backrest)



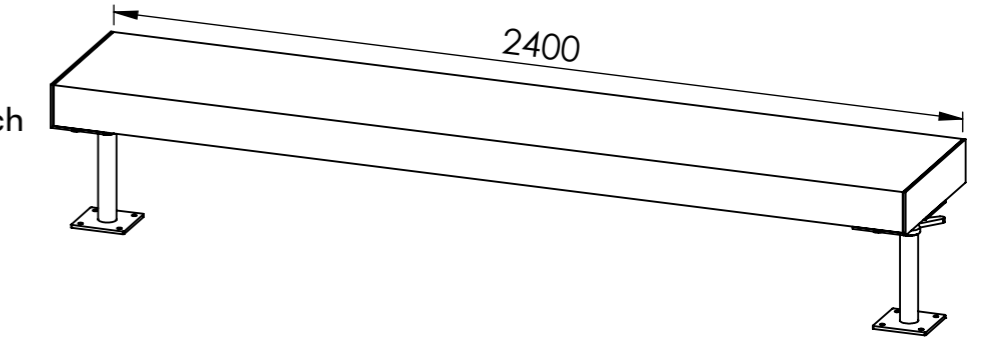
U25-08R/50
Harads chair
without armrests
500 mm.



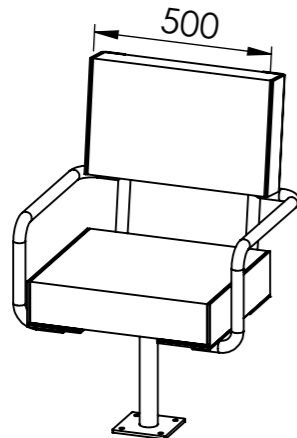
U25-02/180
Harads sofa
without armrests
1800 mm.



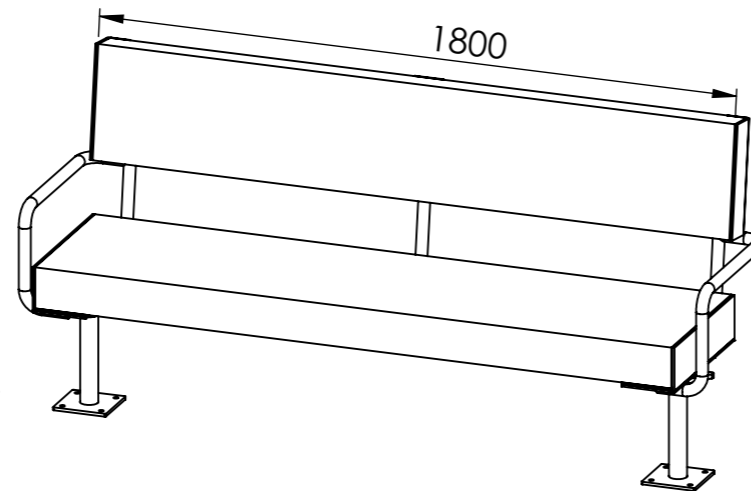
U25-02/240
Harads sofa
without armrests
2400 mm.



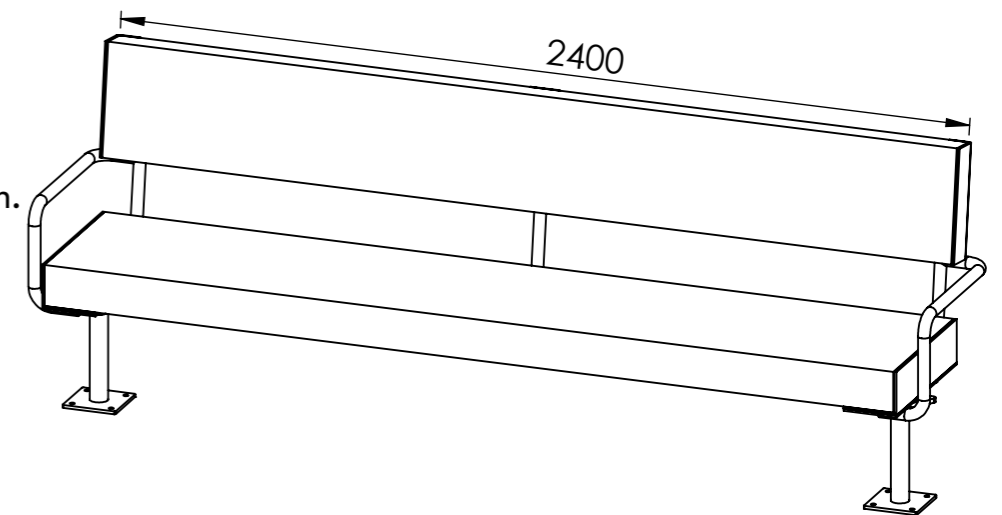
U25-08RA/50
Harads armchair
with armrests
500 mm.



U25-02A/180
Harads sofa with
armrests 1800 mm.



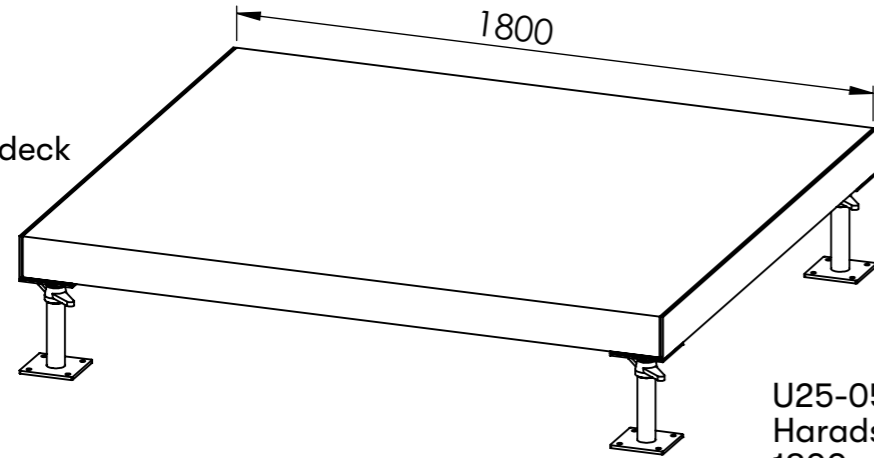
U25-02A/240
Harads sofa with
armrests 2400 mm.



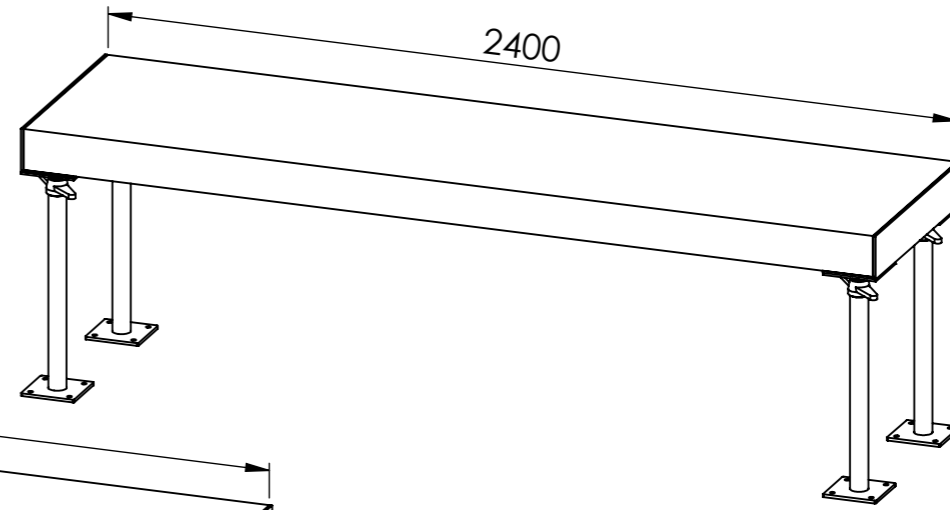
Harads Overview

Ritad av Ulf H
Ritad datum 2023-10-18

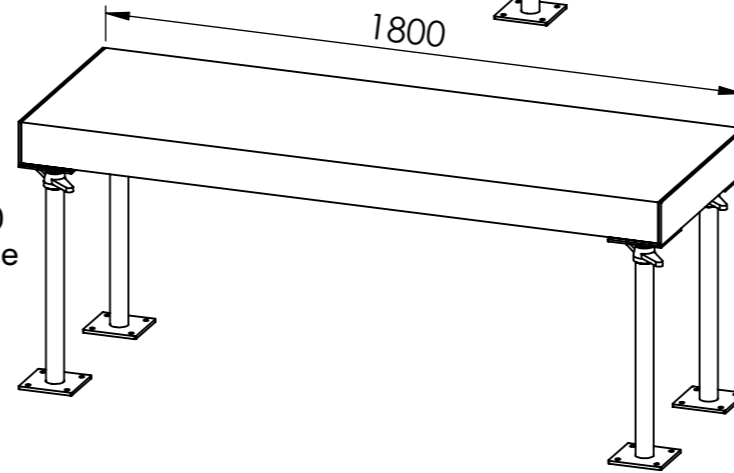
U25-03/180
Harads sun deck
1800 mm



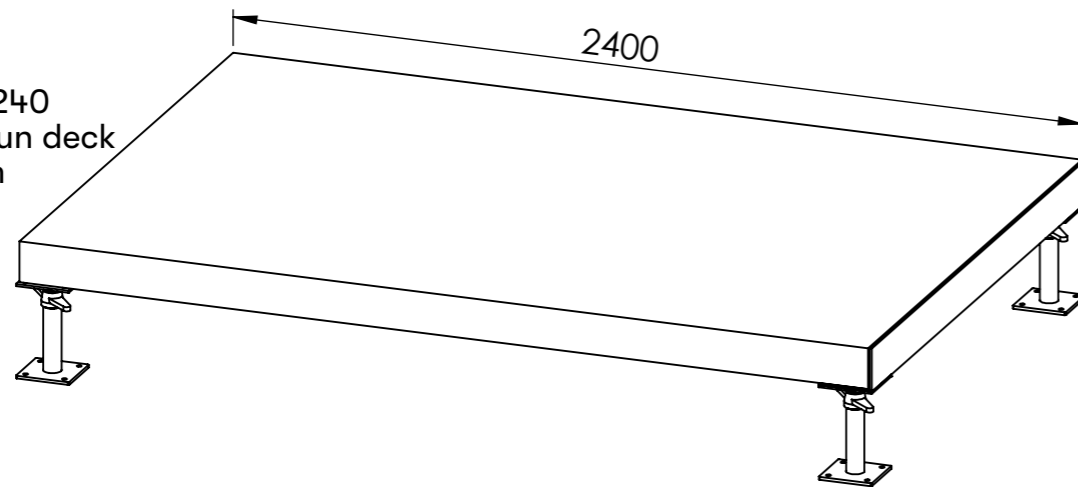
U25-05/240
Harads table
2400 mm



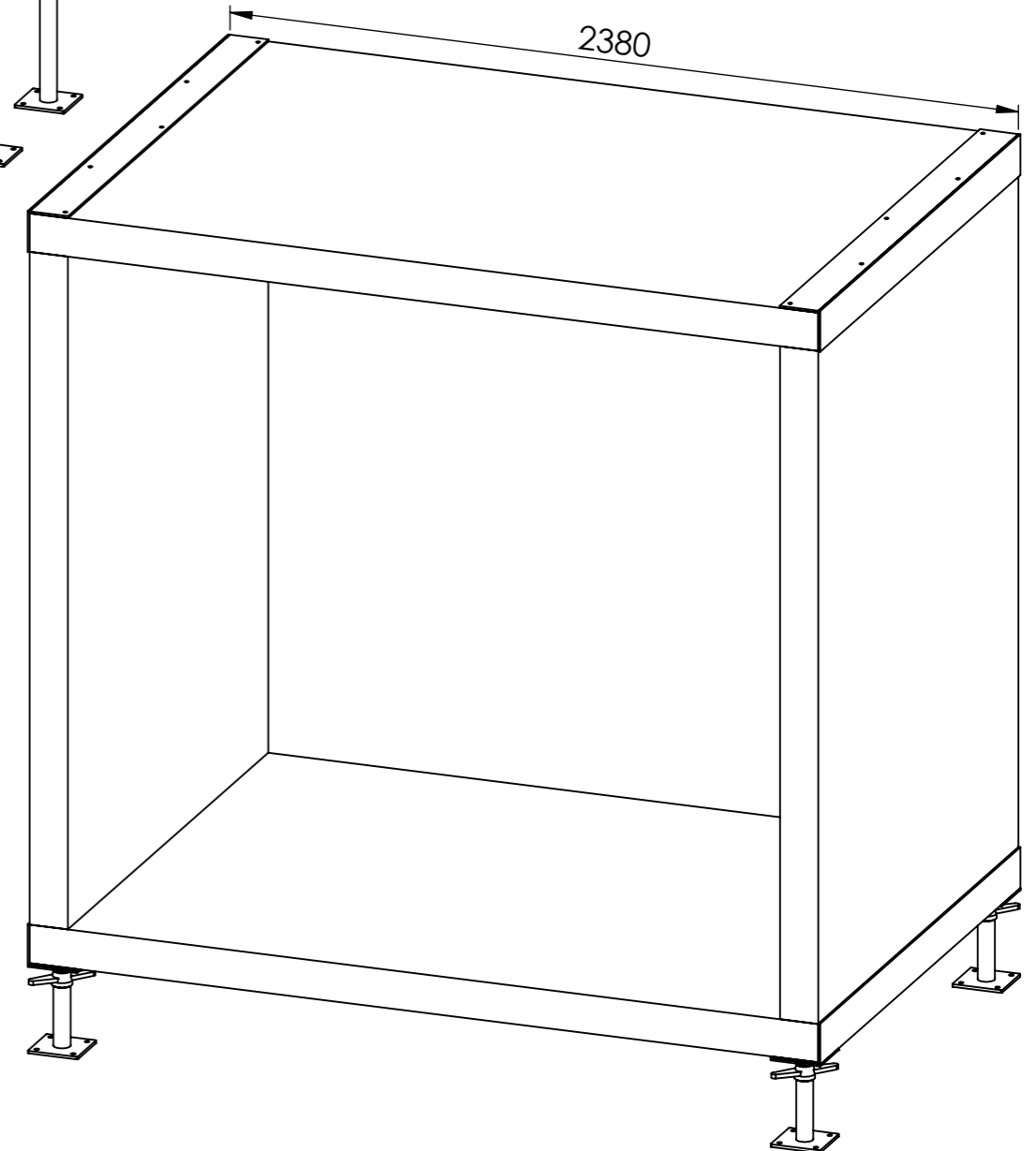
U25-05/180
Harads table
1800 mm



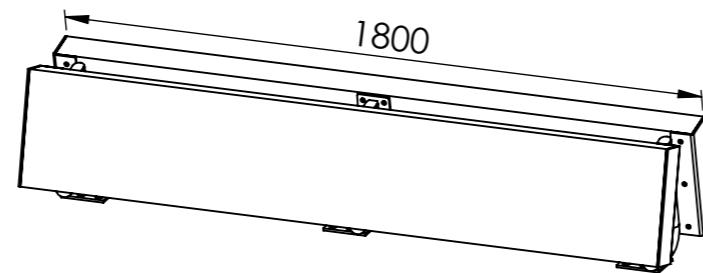
U25-03/240
Harads sun deck
2400 mm



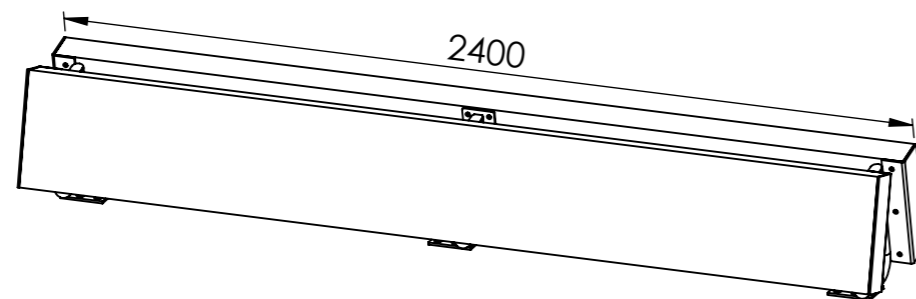
U25-06
Harads box



U25-03R/180
Backrest for Harads
sun deck 1800 mm
Is ordered separatly
and installed on the
sun deck.

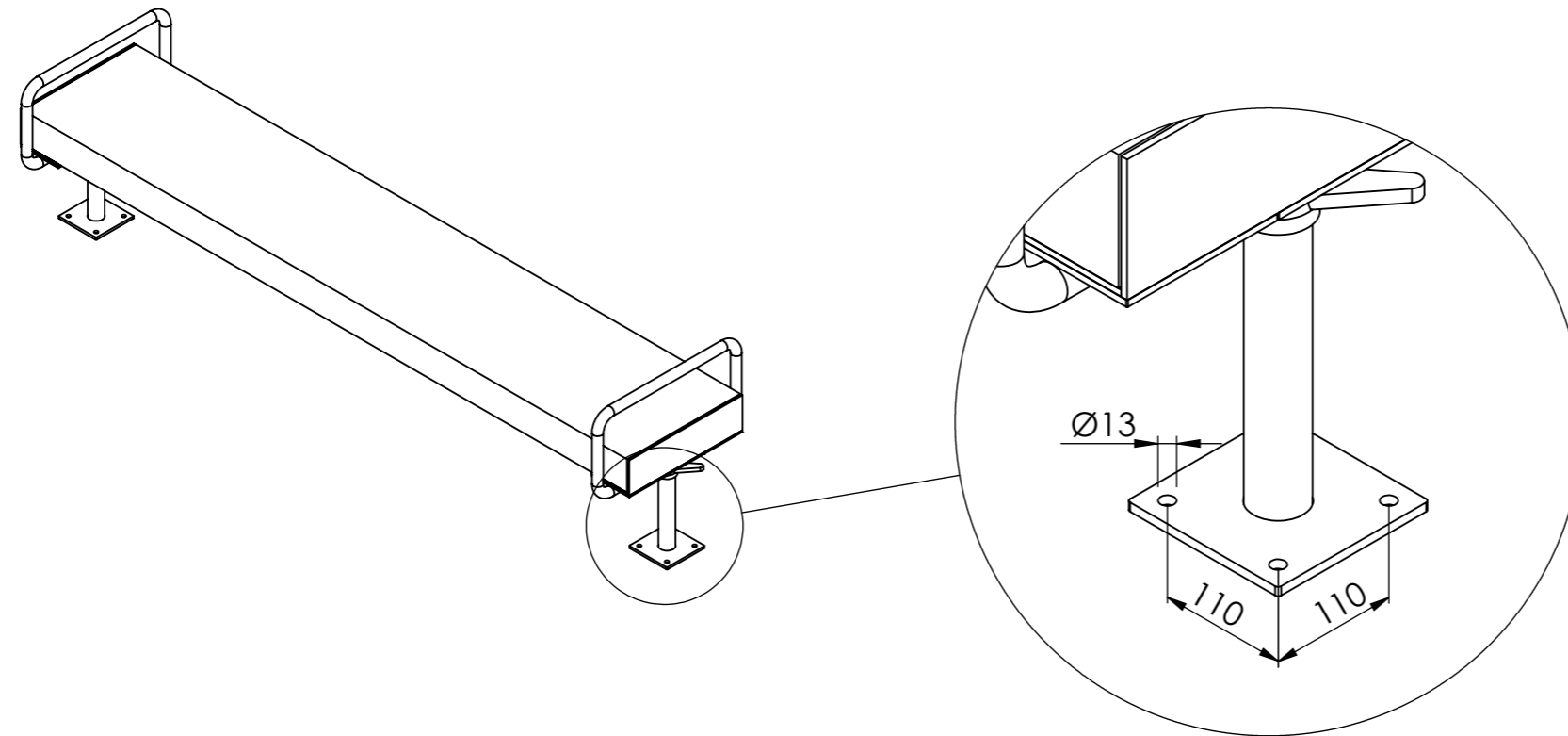


U25-03R/240
Beckrest for Harads
sun deck 2400 mm
Is ordered separatly
and installed on the
sun deck.



Harads Placement

Ritad av Ulf H
Ritad datum 2023-10-18



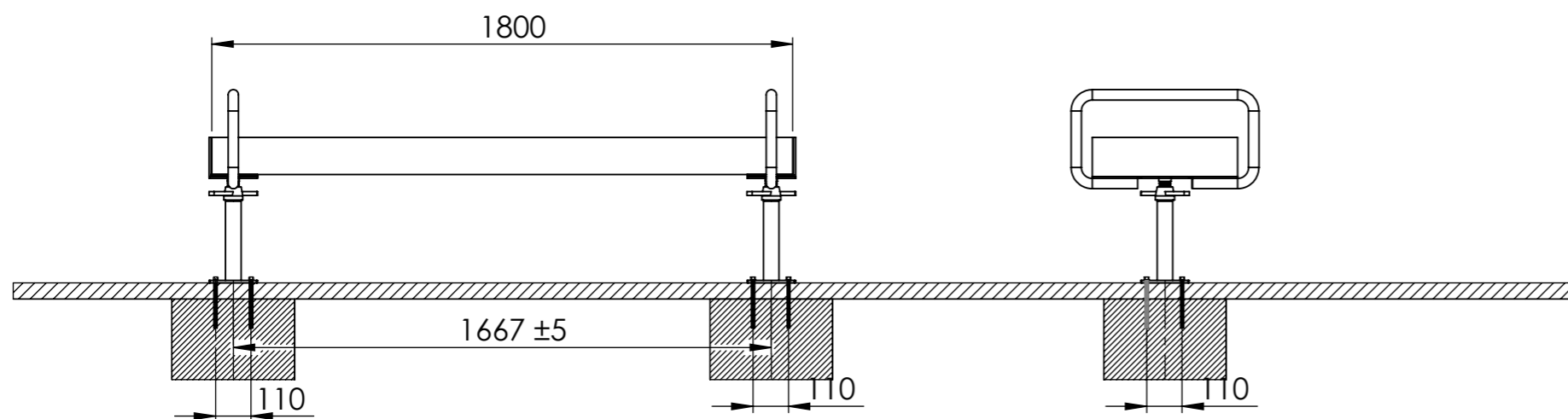
Surface mount

The furniture in the series has foot plates with holes for mounting with M10 or M12 screws.

Installation on a wooden substrate
Pre-drill and install with French wood screws.

Installation on paving stones or paving slabs
Undercast the slabs with concrete.

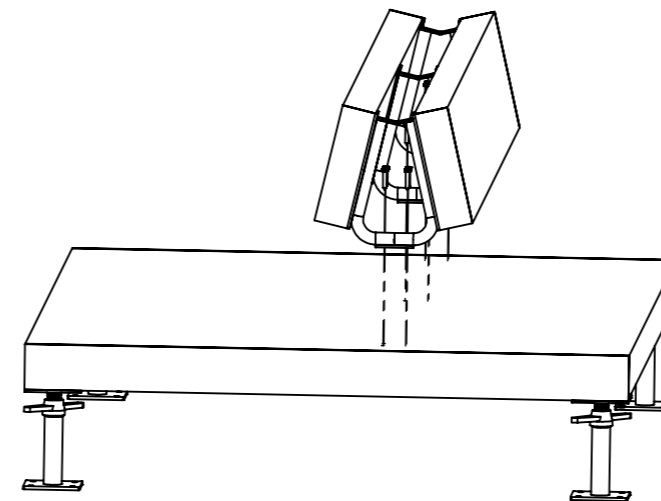
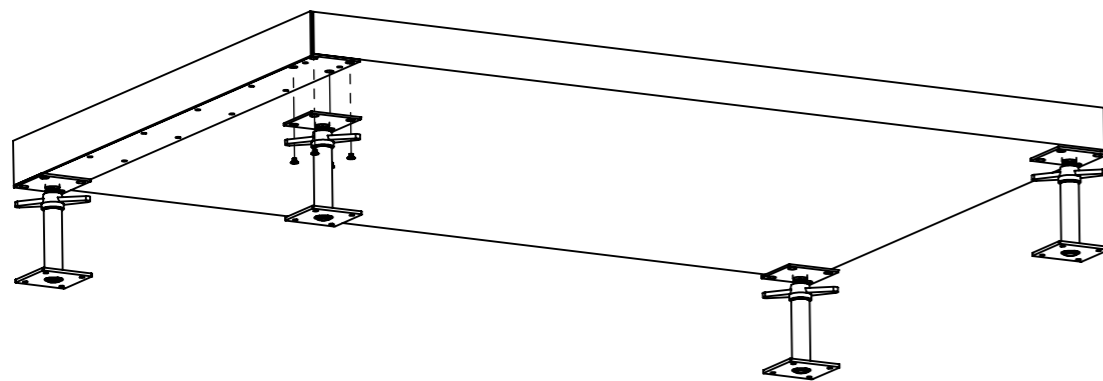
Mounting against concrete or stone blocks etc.
Mount with chemical anchors or expanders as above.



HARADS

Sun deck placement

Ritad av Ulf H
Ritad datum 2023-10-18



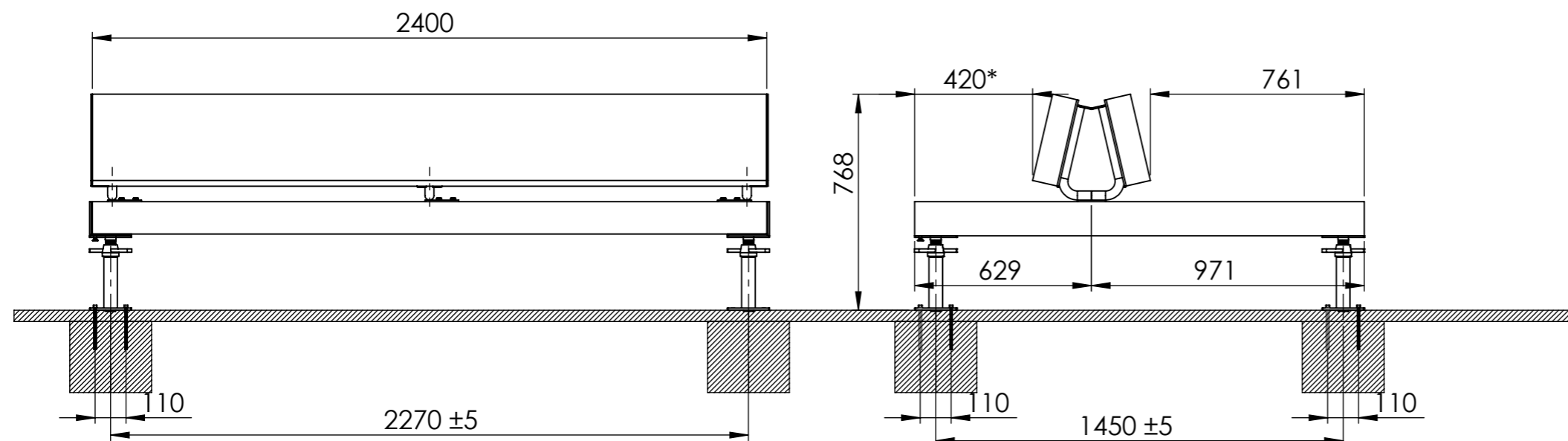
Sun deck assembly/

The sun deck (300 kg) is delivered unassembled to avoid damage to legs during transport. The legs are mounted on the deck in the intended place.

Pile the product up so that you can install the legs. Legs are mounted with 4 pcs MF6S M10 in each corner. Mark out and drill holes for feet in the desired location. Attachment mandrel M12. Place the product in place and screw in place.

The backrest is delivered separately and is installed against the sun deck with 12 attached wood screws. Place the backrest in the desired location, mark the holes. Lift away, pre-drill and then install. Pull with ratchet for access.

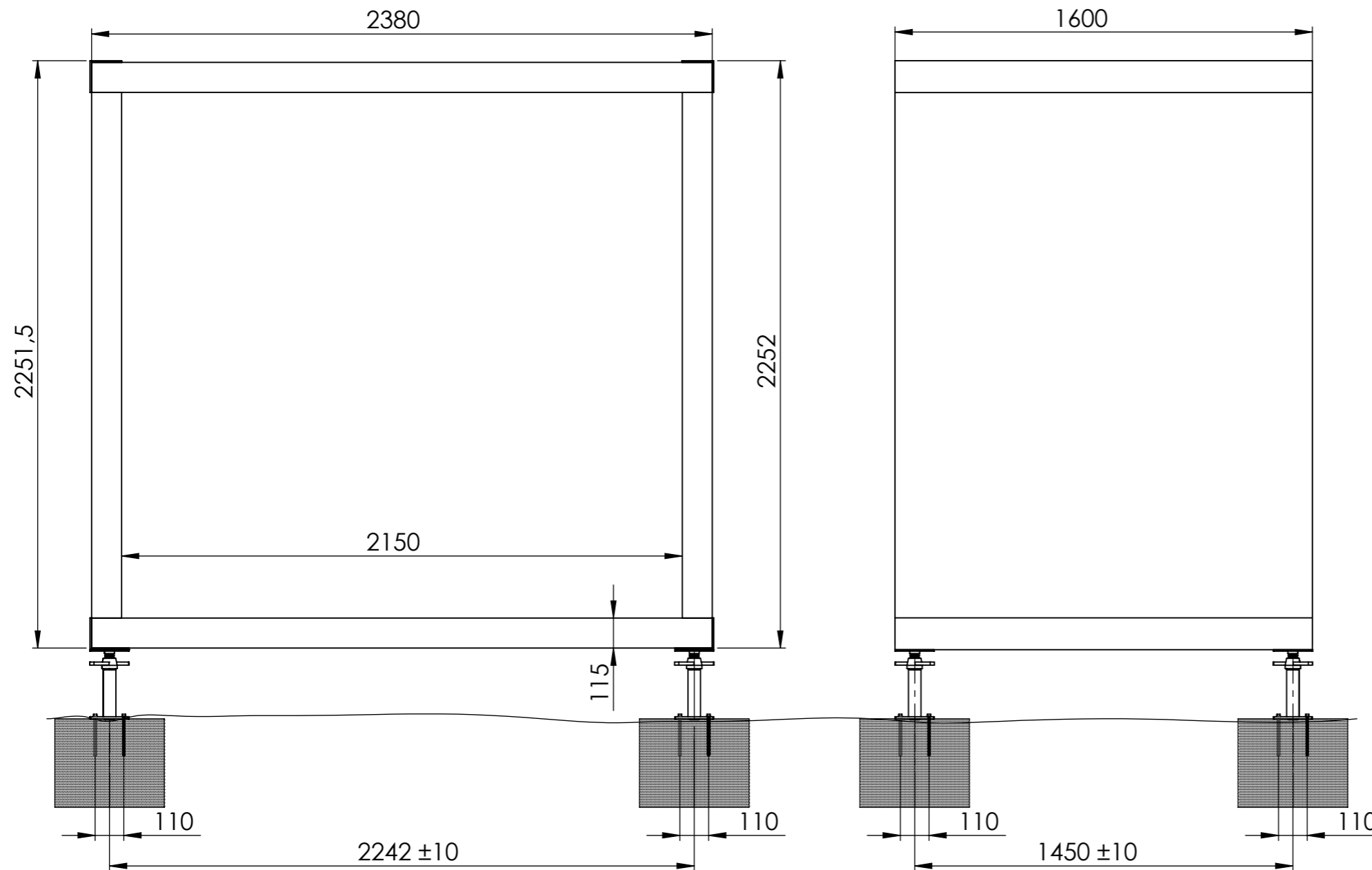
* For best comfort, it is recommended that the backrest placed so that the seat depth on one side is 420 mm.



HARADS

Box placement

Ritad av Ulf H
Ritad datum 2023-10-18



Box assembly

The box weighs approx. 1.1 tonnes and is delivered assembled with the legs separately.

The legs cannot be assembled without the box standing flat, otherwise there is a risk that the legs will break.

A truck or crane is needed to place the box.

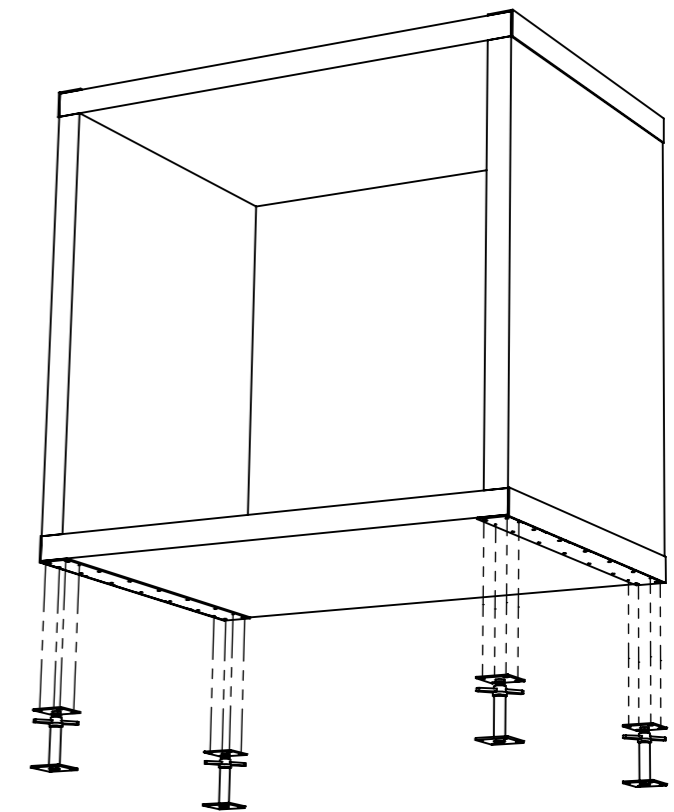
The product is lifted off from transport and then raised so that it stands correctly.

Pile the product up so that there is room to install the legs. Legs are mounted with 4 pcs MF6S M10 in each corner.

Mark out and drill holes in the foundation for the legs in the desired location.

Attachment mandrel M12.

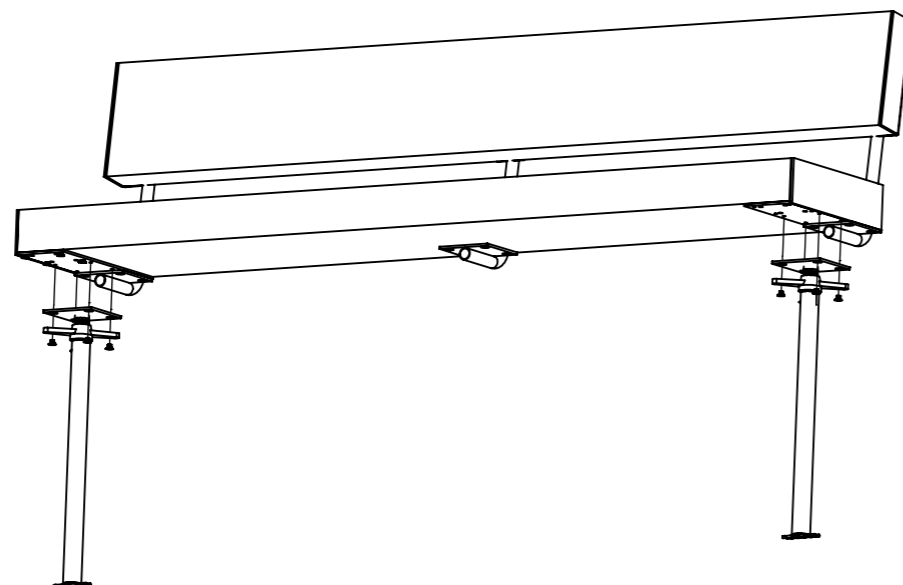
Place the product in place and screw the legs to the angle fittings with the enclosed M 10 screws, 4/pc/foot.



Fundamentens utbredning varierar beroende på var boxen placeras, lokala markförhållanden och geografiskt läge.

Harads Placement

Ritad av Ulf H
Ritad datum 2023-10-18



In-ground

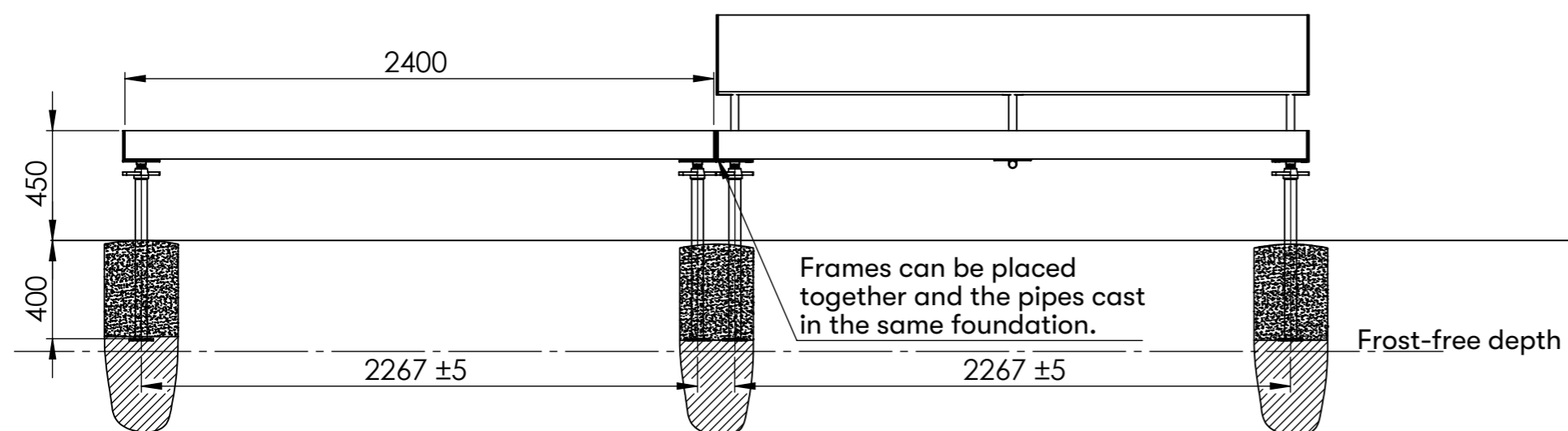
In cases where the ground does not allow the furniture to be bolted to a cast-in-place foundation, the products can instead be ordered with extended legs that are cast 400 mm into the ground.

Note! Only applies to benches and tables.

The extended legs perform as a special adaptation.
Contact Nola for more information.

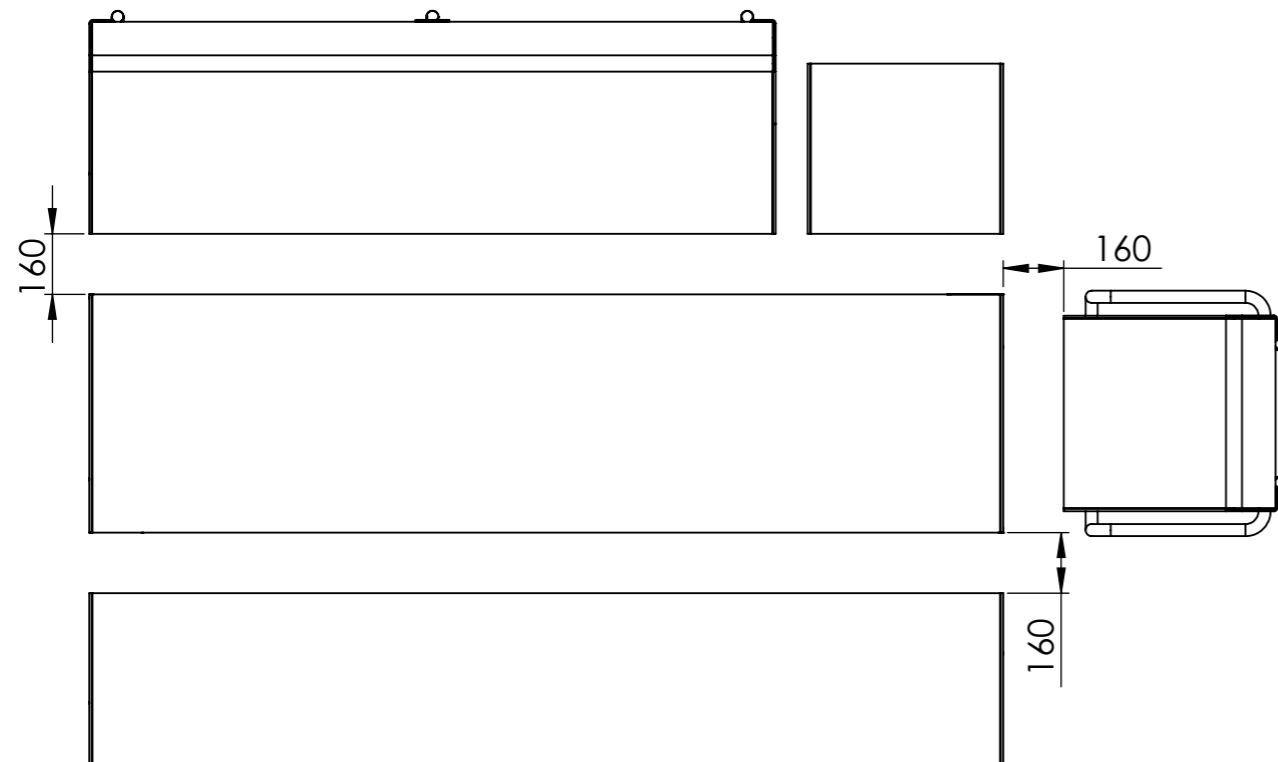
Approach.

Dig to frost-free depth. Prime with draining material.
Stand the product with its legs in the shouts. Brace, weigh and cast.

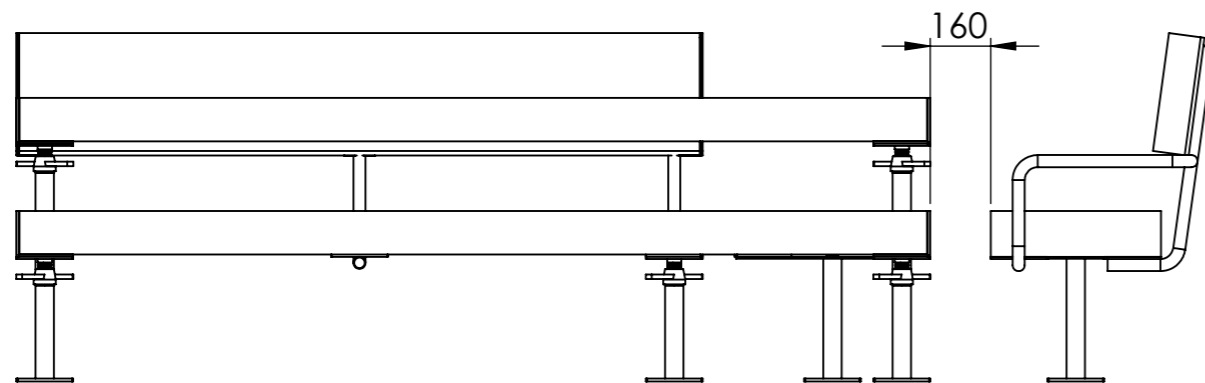


Harads Furnishing

Ritad av Ulf H
Ritad datum 2023-10-18



When furnishing seating furniture together with a table, an opening of 160 mm should be left from the front edge of the seat to the outer edge of the table so that it is possible to get in between the furniture and to sit. The size may need to be increased depending on local accessibility requirements.



Harads

Maintenance

Ritad av Ulf H
Ritad datum 2023-10-18

Upon delivery, wooden surfaces are treated with Sioo:x premium wood and surface protection Altan stage 1 & 2. Maintenance must be done after 12-18 months. During the warmer half of the year.

STEP 2 - SURFACE TREATMENT, 2ND SEASON

After approx. 12-18 months, wooden surfaces need to be treated once with the surface protection, which seals the surface so that it lasts longer.

Wash clean with SiOO:X Maintenance wash. Let the surface dry well. Apply a generous amount of Altan Premium surface protection and let it soak for about 3 minutes, then work the surface protection in with the brush until the wood is saturated. The surface can be used when it is completely dry, after approx. 30-60 minutes. Some additional ironing with the surface protection may be needed after a few years. In particularly exposed places, it may be necessary to apply wood protection/surface protection several times during the life of the surface.

At first, the wood surface is yellow-brown and slightly flaming. It gradually brightens as the silicon matures, which occurs when it comes into contact with moisture and Co2. The surface takes on a beautiful, silver-grey color already after 2-6 weeks. The process lasts up to 1 year for horizontal wood. The light, beautiful wooden surface then darkens somewhat over time. Surfaces under roofs turn gray more slowly.

CARE, MAINTENANCE AND DAMAGES

The silicon shield of the Sioo:x surface protects the wood, but on top of the wood, as always, dirt and growth can appear. It occurs especially during wet periods, in shady areas and in exposed places. Therefore, keep the surface free from dirt, fallout and growths such as mold, algae, etc. must be continuously removed.

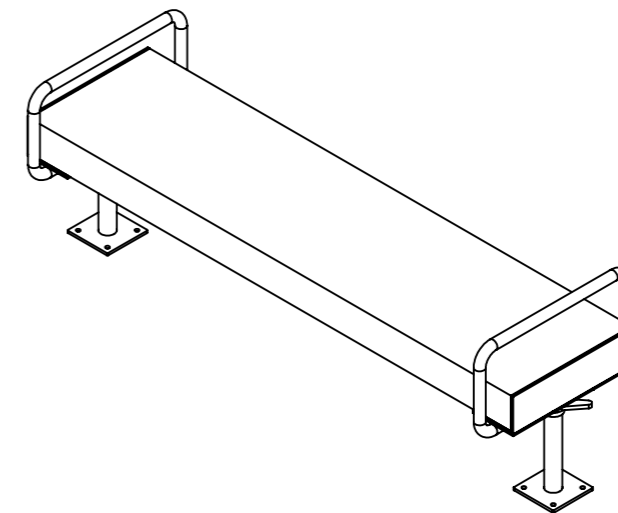
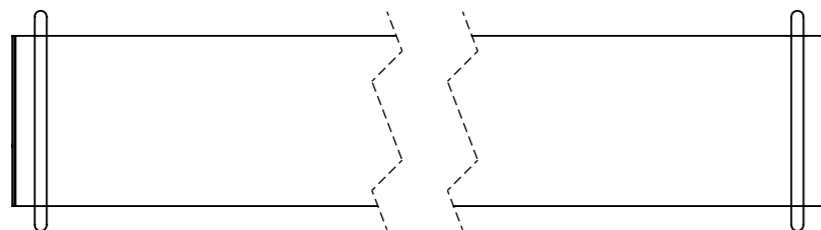
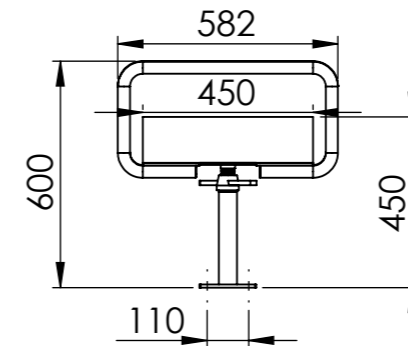
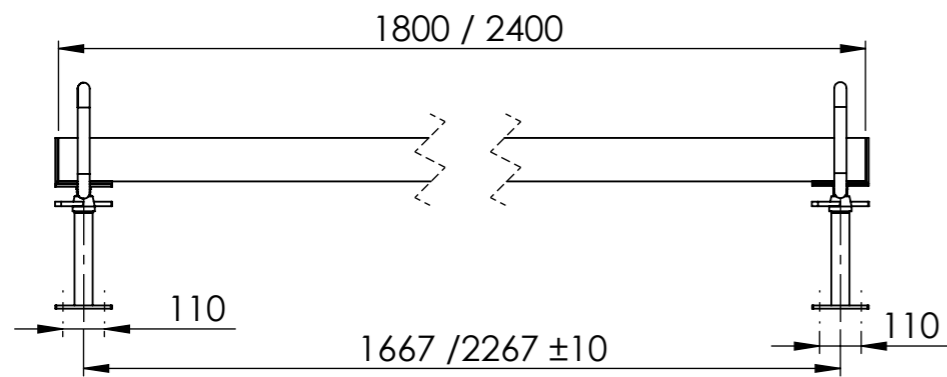
Actions according to level of need:

1. When the product is dry; brush away dirt, mold and surface-like fluff, etc. with a dense, medium-hard brush.
2. If necessary, wash gently with SiOO:X Maintenance wash (pH 7). Avoid products with a pH lower than 5 or higher than 8, as they impair the function of the surface protection. Avoid soap.
3. More difficult surface build-up can be remedied with Sioo's product XMould, which is gentle on the surface protection.
4. For more difficult build-up, damage or removal, use SiOO:X Pre-wash which cleans effectively, even in depth. Then the surface protection dissolves. Supplement as needed with SiOO:X Wood protection and/or surface protection).
5. After long wet periods, fluff-like gray particles sometimes form. It is due to an excess of surface protection and occurs mostly on dense surfaces after the first winter. They are usually washed away in the rain or brushed away. Therefore, apply a thin layer of surface protection. When the surface is wet, the surface protection is more sensitive to scratch marks under chair legs, etc. There are still wooden shelters in the depths that protect; brush away lint and patch thinly with surface protection. The bright surface will return within a month or so. See sioox.se.
6. After about 12 years, clean the product with SiOO:X Pre-wash and redo the entire treatment. Read more at sioox.se.



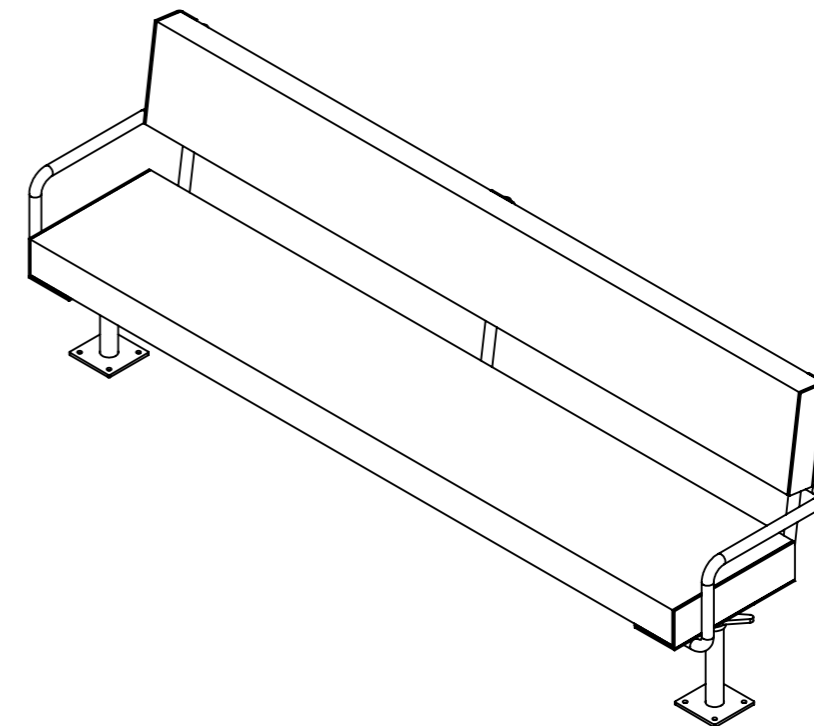
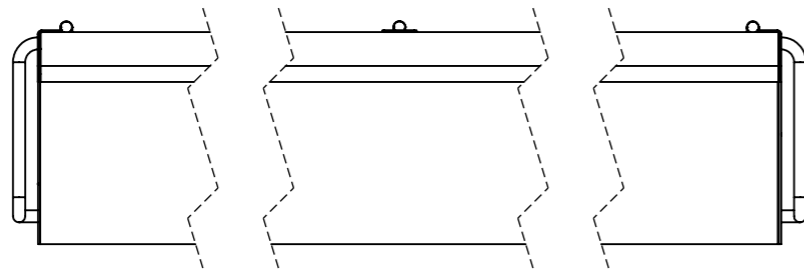
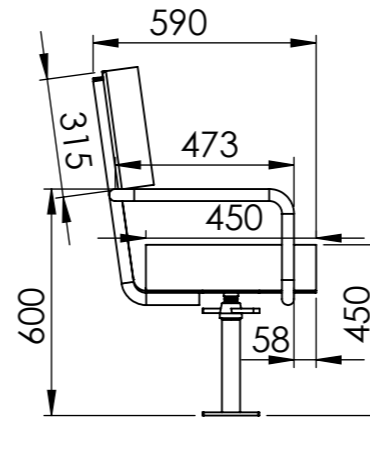
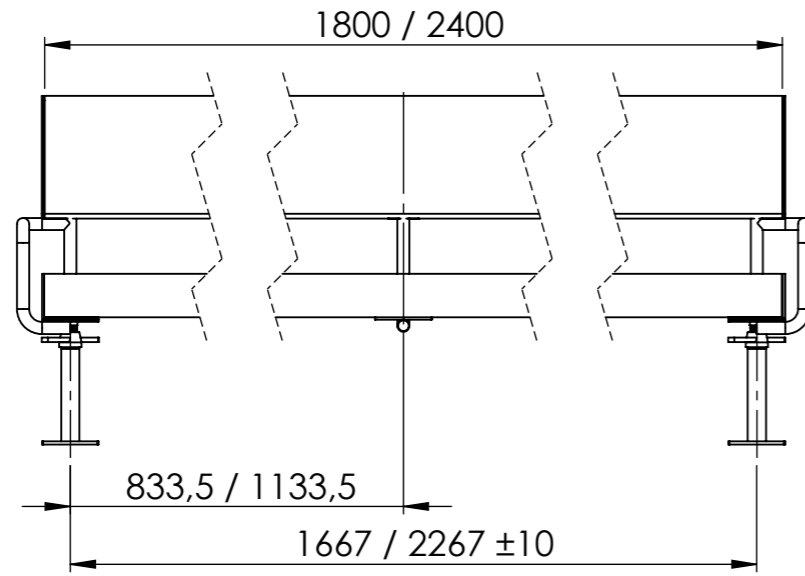
HARADS Bench

Ritad av Ulf H
Ritad datum 2023-10-18



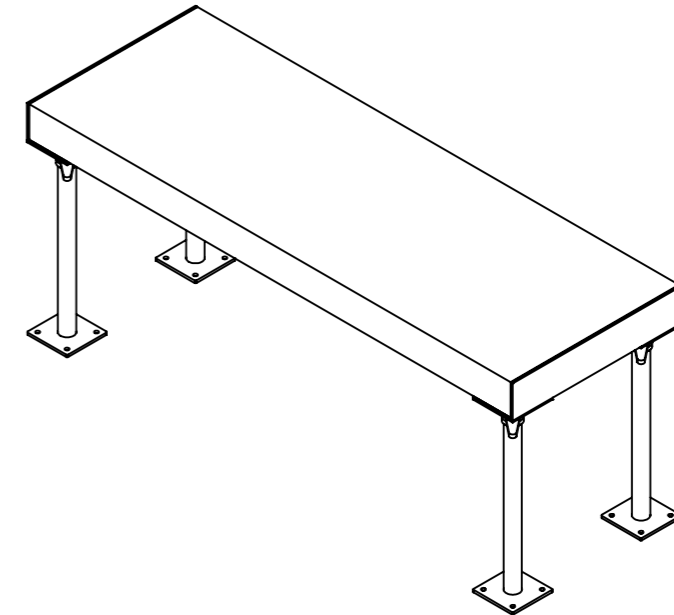
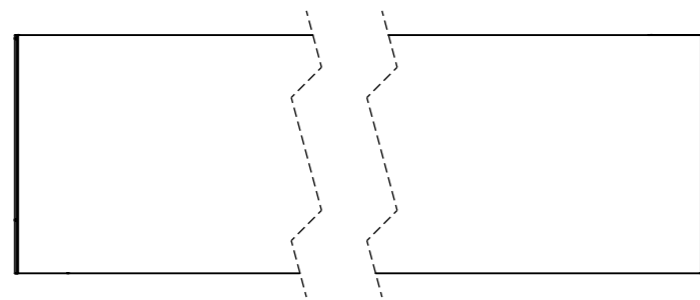
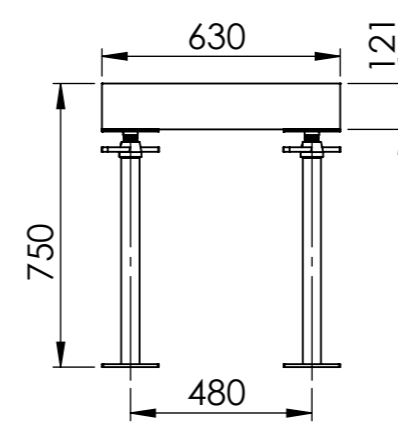
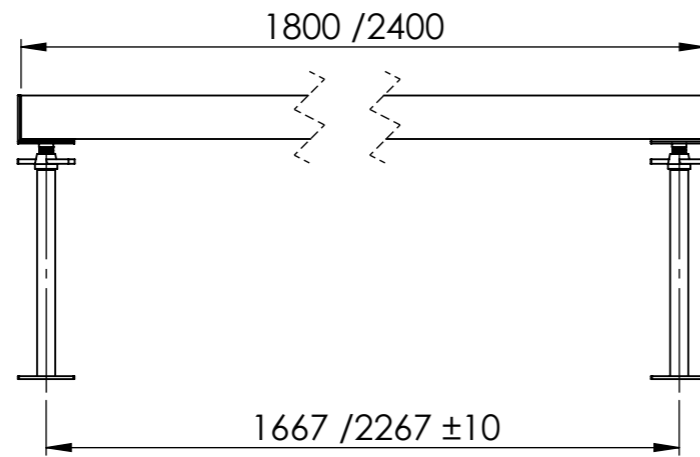
HARADS Sofa

Ritad av Ulf H
Ritad datum 2023-10-18



HARADS Table

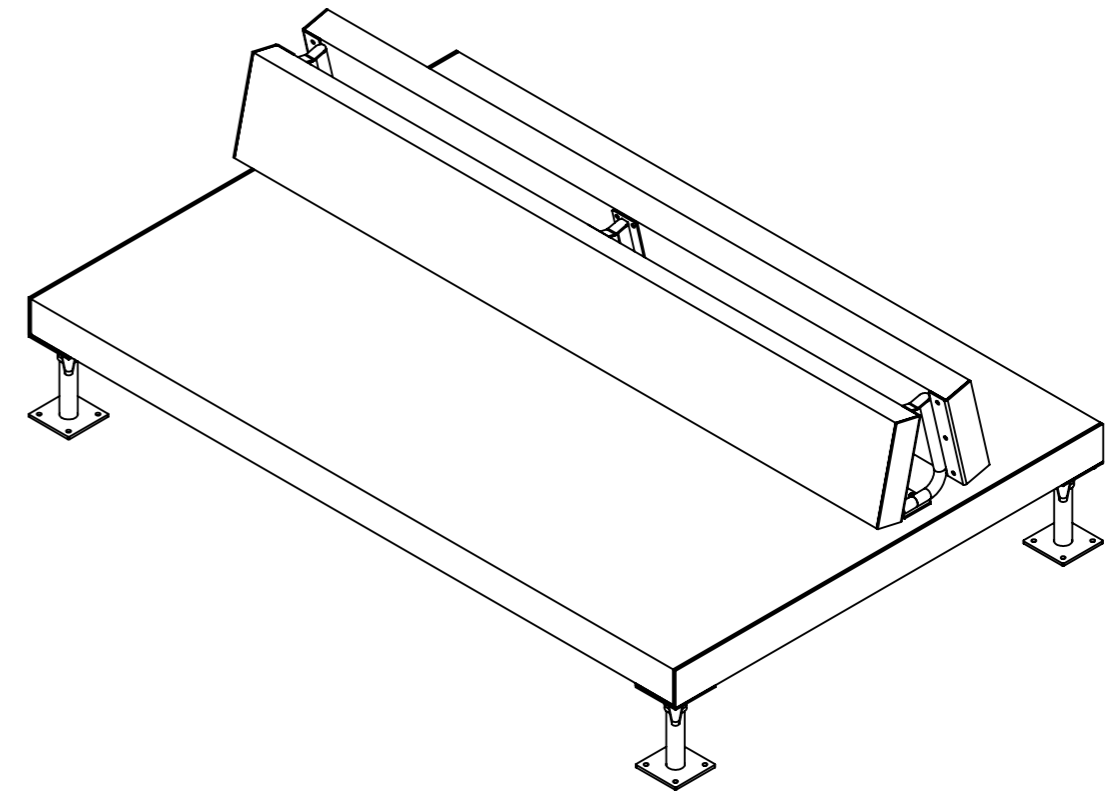
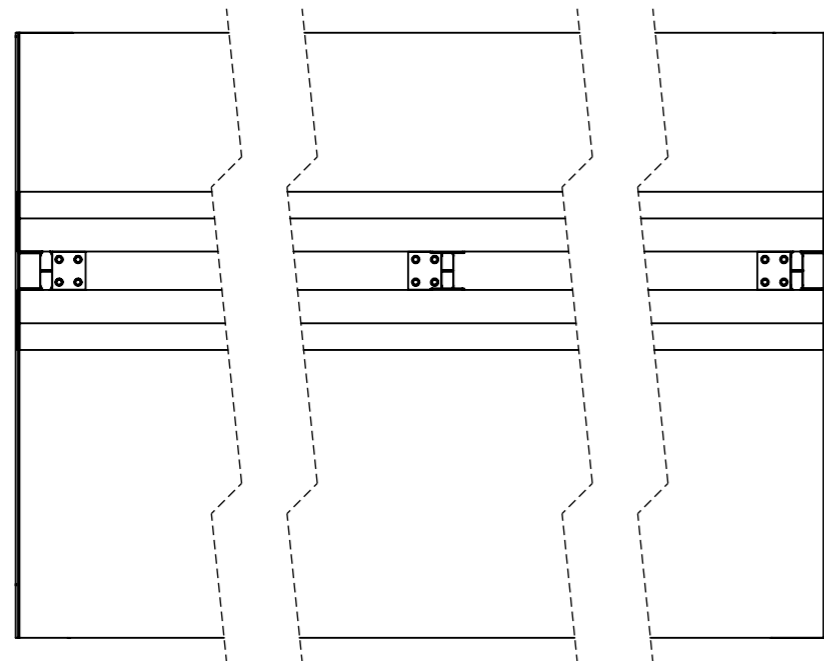
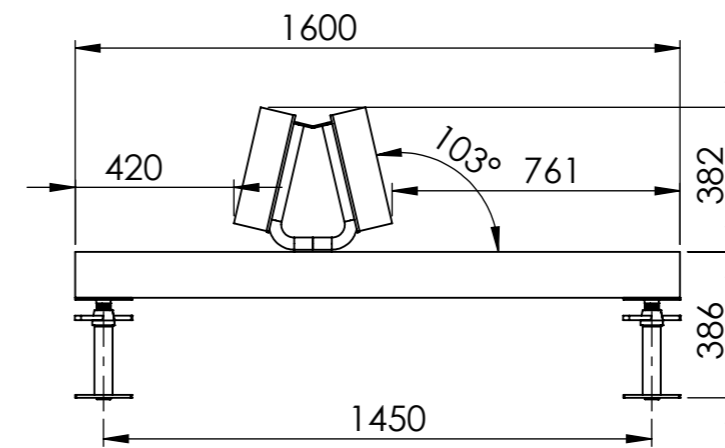
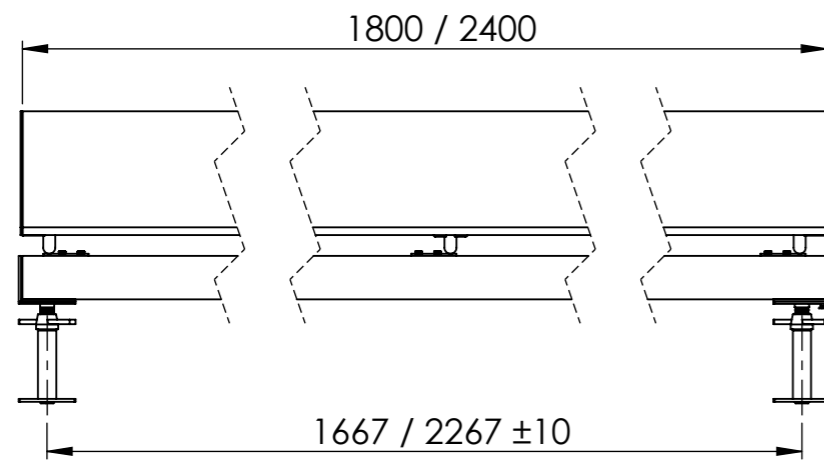
Ritad av Ulf H
Ritad datum 2023-10-18



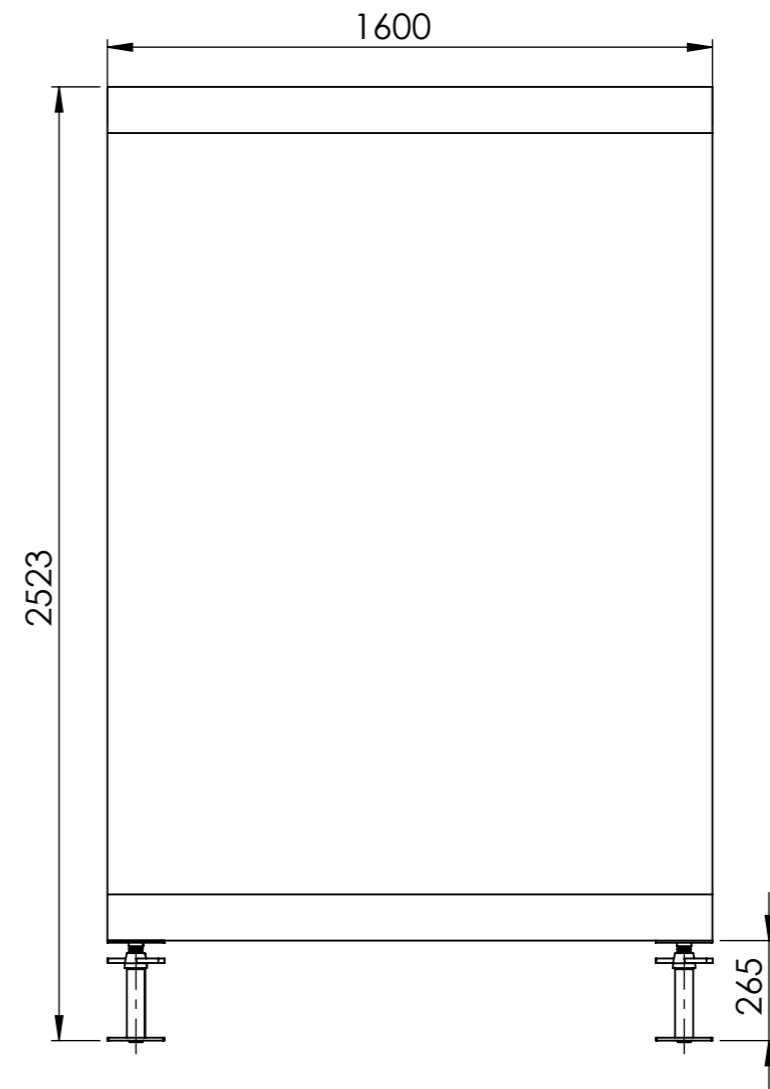
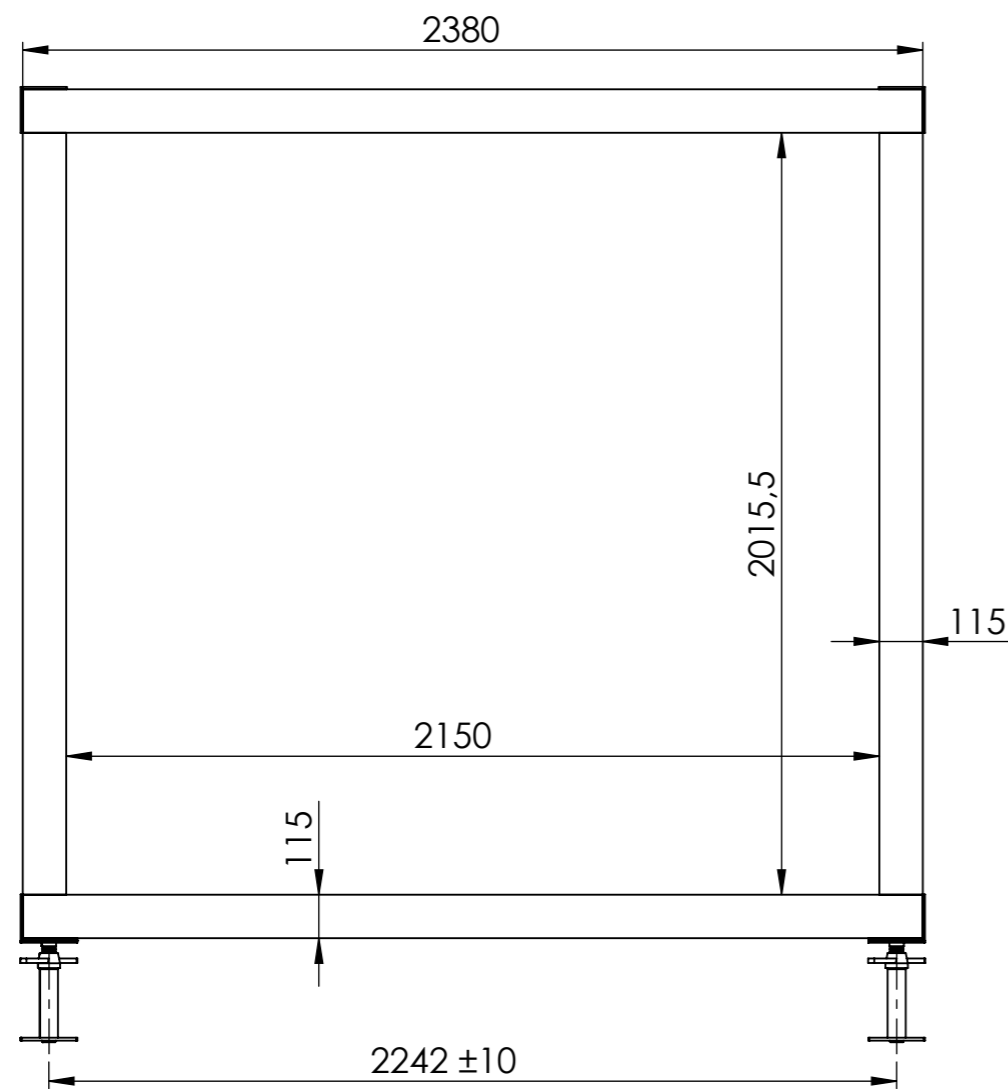
HARADS

Sun deck

Ritad av Ulf H
Ritad datum 2023-10-18



HARADS BOX



Ritad av Ulf H
Ritad datum 2023-10-18

