

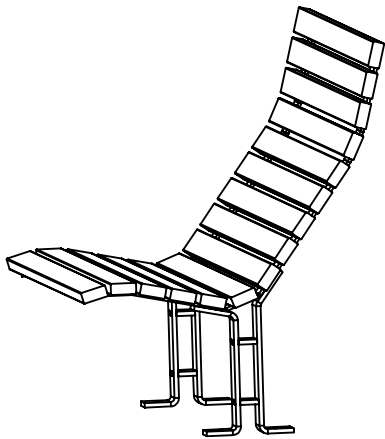
Kajen solsoffa sid 1/9

MONTERINGSBESKRIVNING

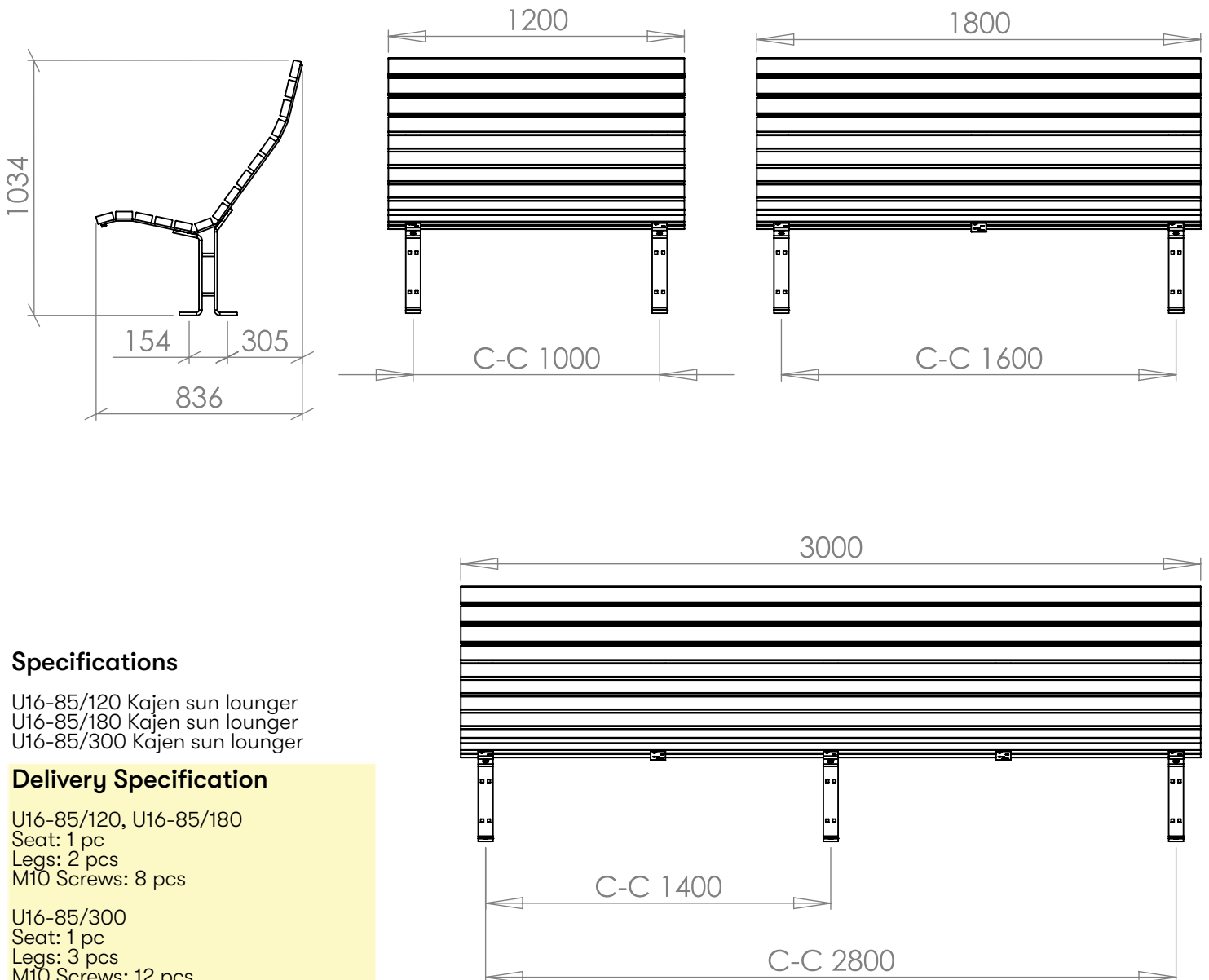
Headoffice: Nola Industrier AB Repslagargatan 15b Box 17701
S-118 93 Stockholm T:+46(0)8 702 19 60 F:+46(0)8 702 19 62
E:headoffice@nola.se Sales/showroom: Skeppsbron 3
S-211 20 Malmö T:+46(0)40 17 11 90 Orderfax:+46(0)40 12 75 45

www.nola.se

nola



U16-85



Specifications

U16-85/120 Kajen sun lounger
U16-85/180 Kajen sun lounger
U16-85/300 Kajen sun lounger

Delivery Specification

U16-85/120, U16-85/180
Seat: 1 pc
Legs: 2 pcs
M10 Screws: 8 pcs

U16-85/300
Seat: 1 pc
Legs: 3 pcs
M10 Screws: 12 pcs

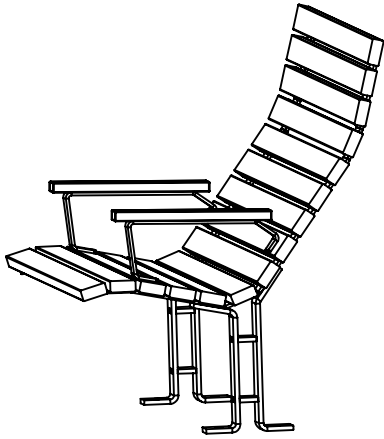
Kajen solsoffa sid 2/9

MONTERINGSBESKRIVNING

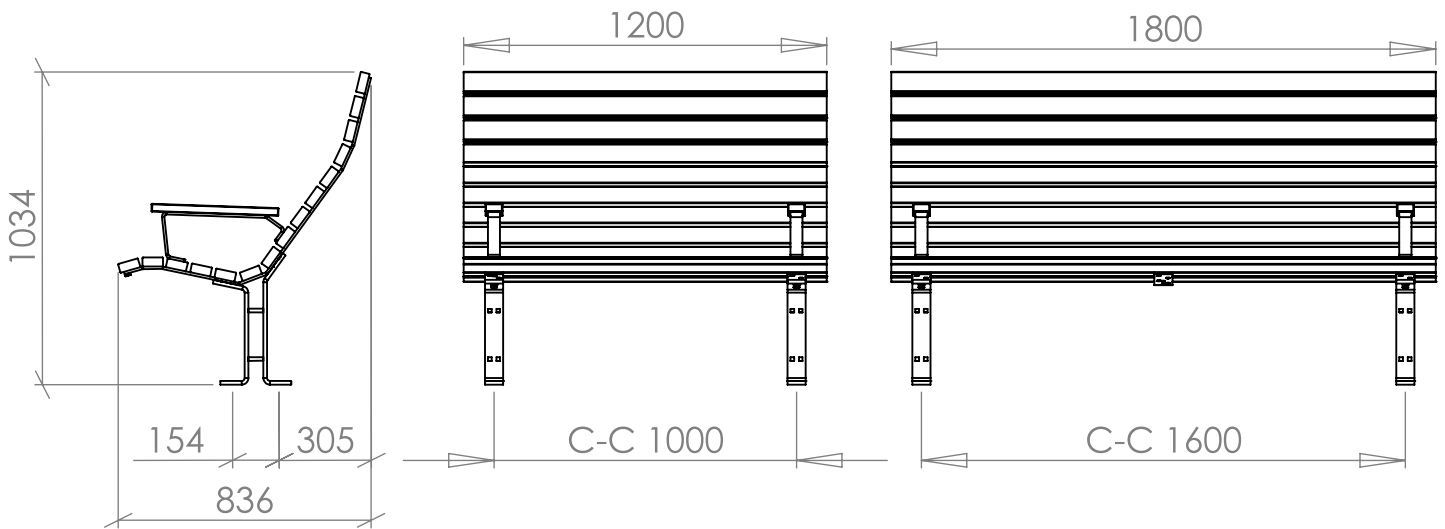
Headoffice: Nola Industrier AB Repslagargatan 15b Box 17701
S-118 93 Stockholm T:+46(0)8 702 19 60 F:+46(0)8 702 19 62
E:headoffice@nola.se Sales/showroom: Skeppsbron 3
S-211 20 Malmö T:+46(0)40 17 11 90 Orderfax:+46(0)40 12 75 45

www.nola.se

nola



U16-85 + U16-85-3



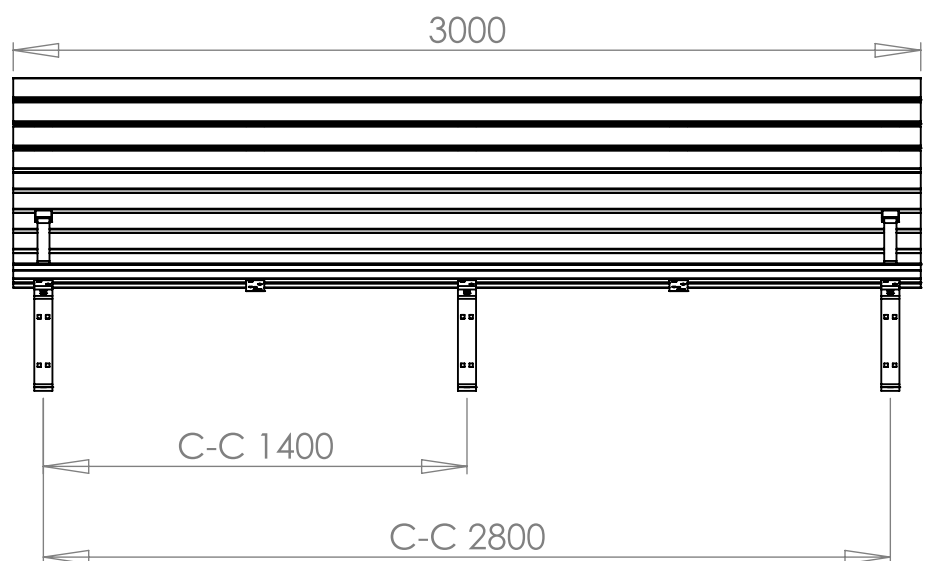
Specifications

U16-85/120 Kajen sun lounger
U16-85/180 Kajen sun lounger
U16-85/300 Kajen sun lounger

Delivery Specification

U16-85/120, U16-85/180
Seat: 1 pc
Legs: 2 pcs
M10 Screws: 8 pcs

U16-85/300
Seat: 1 pc
Legs: 3 pcs
M10 Screws: 12 pcs



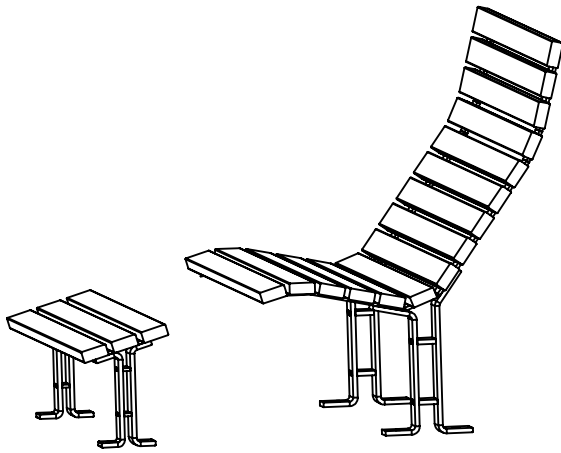
Kajen solsoffa sid 3/9

MONTERINGSBESKRIVNING

Headoffice: Nola Industrier AB Repslagargatan 15b Box 17701
S-118 93 Stockholm T:+46(0)8 702 19 60 F:+46(0)8 702 19 62
E:headoffice@nola.se Sales/showroom: Skeppsbron 3
S-211 20 Malmö T:+46(0)40 17 11 90 Orderfax:+46(0)40 12 75 45

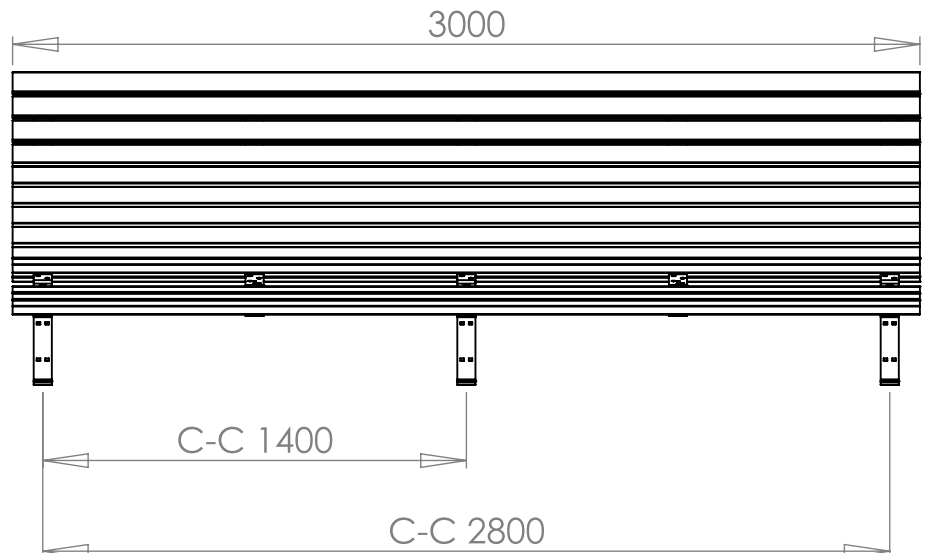
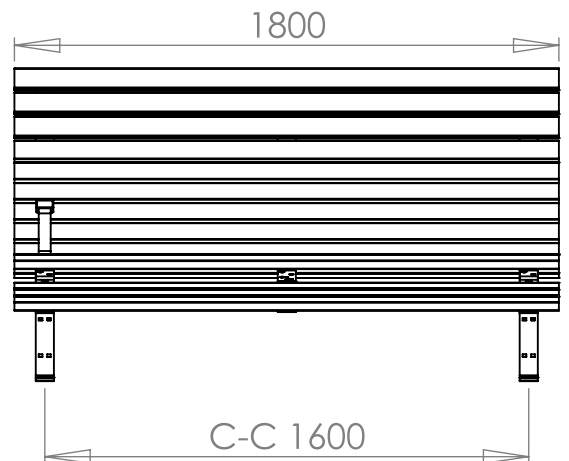
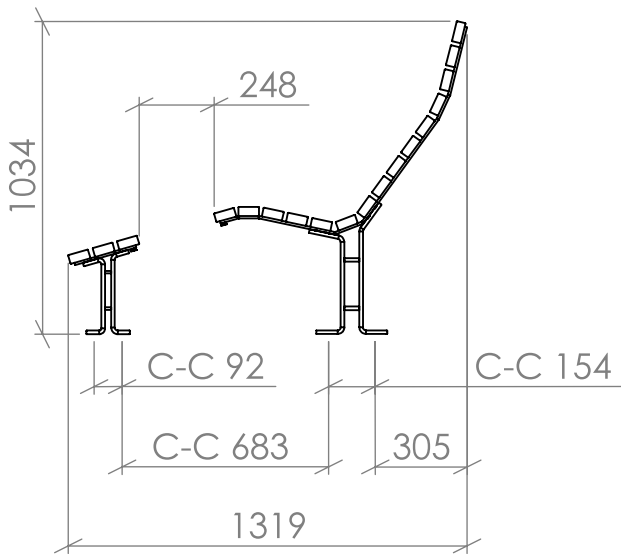
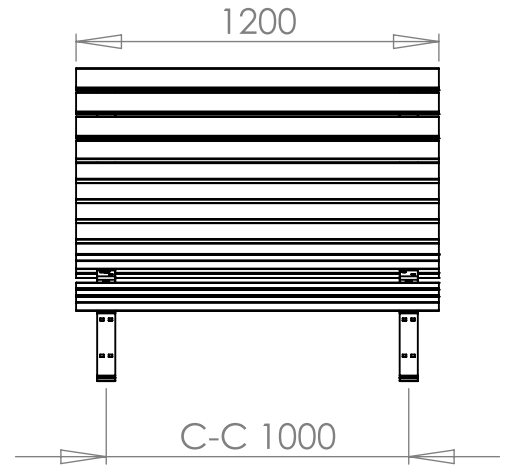
www.nola.se

nola



U16-87

U16-85



Specifications

U16-85/120 Kajen sun lounger
U16-85/180 Kajen sun lounger
U16-85/300 Kajen sun lounger
U16-86 Kajen footrest

Delivery Specification

U16-85/120, U16-85/180
Seat: 1 pc
Legs for seat: 2 pcs
Legs for footrest: 2 pcs
M10 Screws: 12 pcs

U16-85/300
Seat: 1 pc
Legs for seat: 3 pcs
Legs for footrest: 3 pcs
M10 Screws: 18 pcs

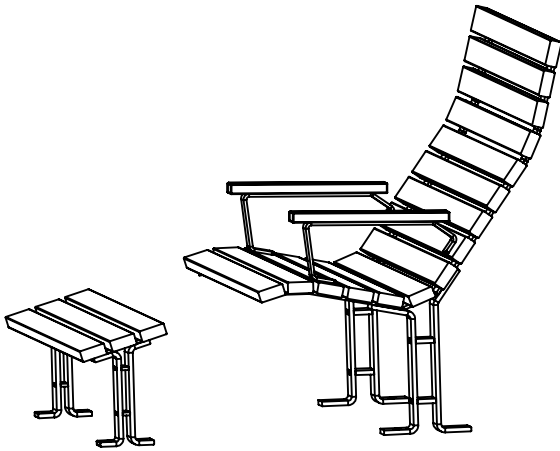
Kajen solsoffa sid 4/9

MONTERINGSBESKRIVNING

Headoffice: Nola Industrier AB Repslagargatan 15b Box 17701
S-118 93 Stockholm T:+46(0)8 702 19 60 F:+46(0)8 702 19 62
E:headoffice@nola.se Sales/showroom: Skeppsbron 3
S-211 20 Malmö T:+46(0)40 17 11 90 Orderfax:+46(0)40 12 75 45

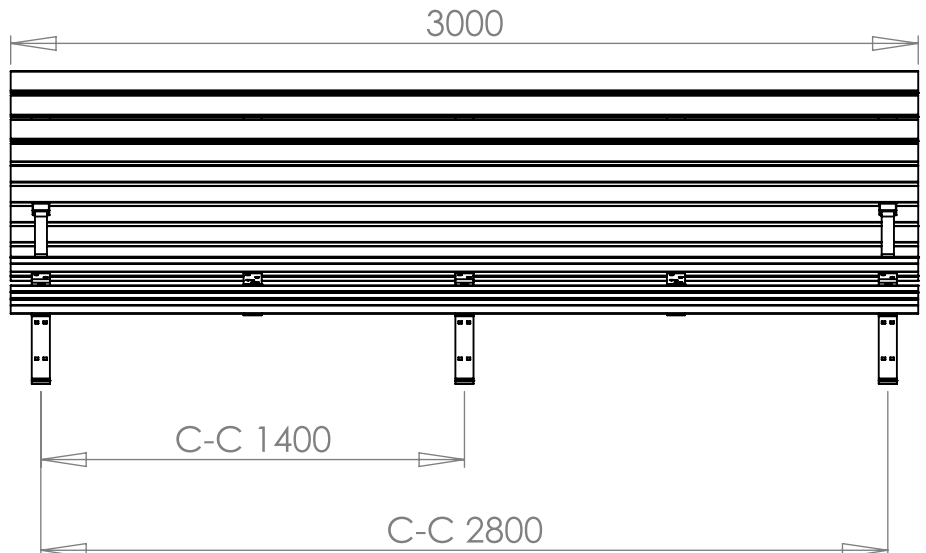
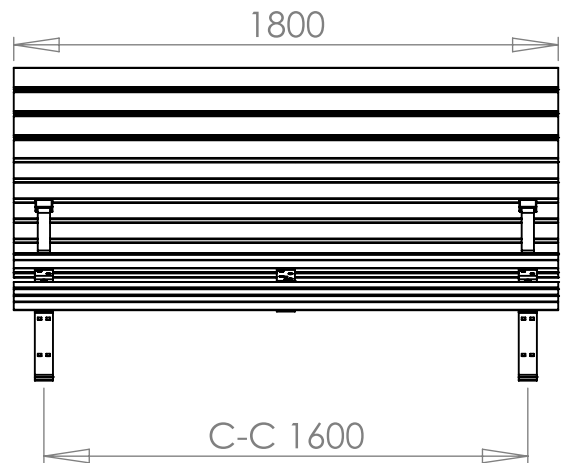
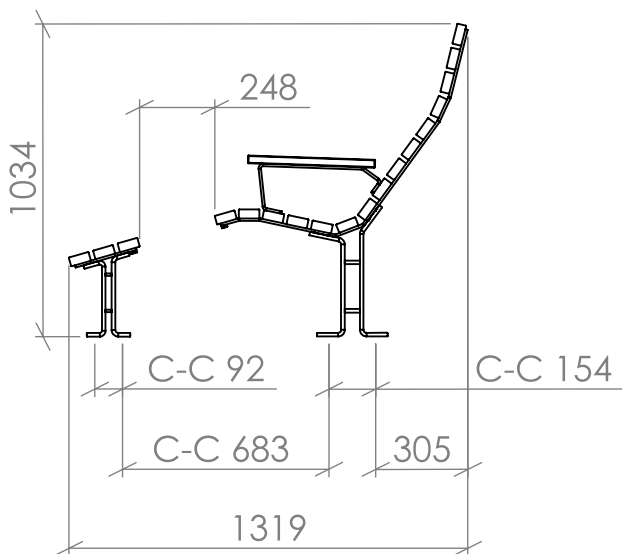
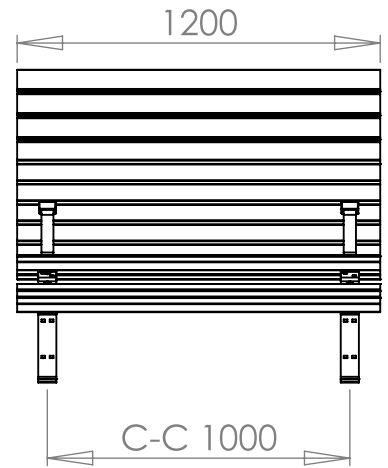
www.nola.se

nola



U16-86

U16-85 + U16-85-3



Specifications

U16-85/120 Kajen sun lounger
U16-85/180 Kajen sun lounger
U16-85/300 Kajen sun lounger
U16-86 Kajen footrest
U16-85-3 Kajen armrest

Delivery Specification

U16-85/120, U16-85/180
Seat: 1 pc
Legs for seat: 2 pcs
Legs for footrest: 2 pcs
M10 Screws: 12 pcs

U16-85/300
Seat: 1 pc
Legs for seat: 3 pcs
Legs for footrest: 3 pcs
M10 Screws: 18 pcs

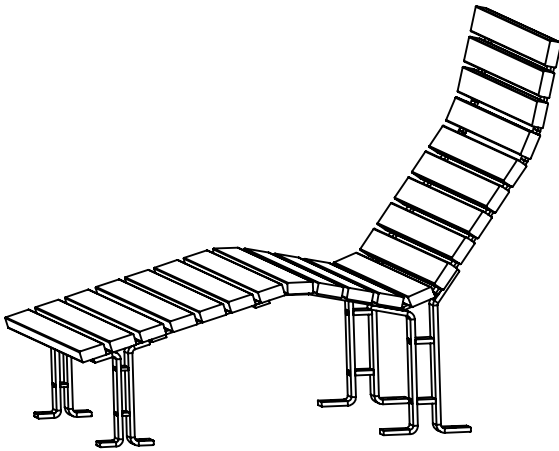
Kajen solsoffa sid 5/9

MONTERINGSBESKRIVNING

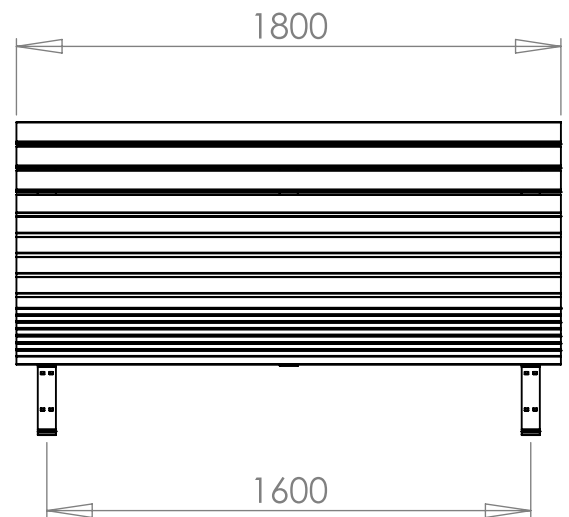
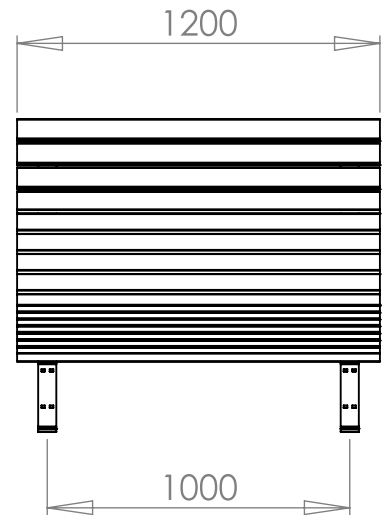
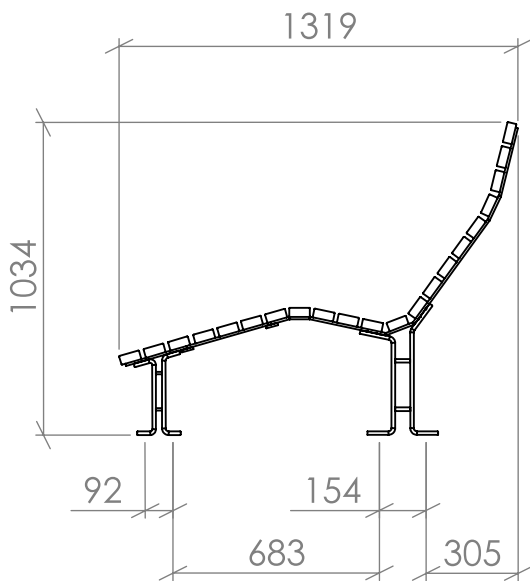
Headoffice: Nola Industrier AB Repslagargatan 15b Box 17701
S-118 93 Stockholm T:+46(0)8 702 19 60 F:+46(0)8 702 19 62
E:headoffice@nola.se Sales/showroom: Skeppsbron 3
S-211 20 Malmö T:+46(0)40 17 11 90 Orderfax:+46(0)40 12 75 45

nola

www.nola.se



U16-87



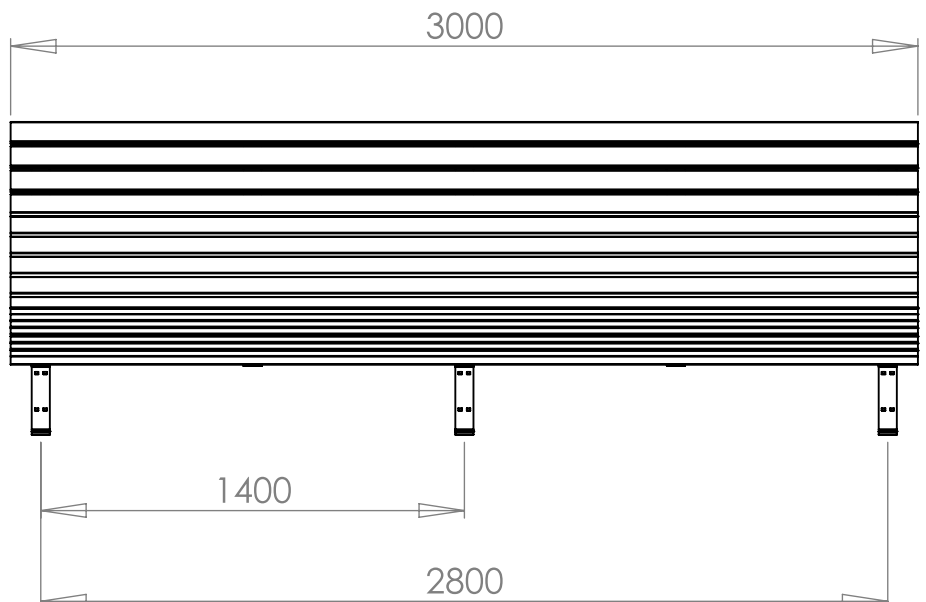
Specifications

U16-87/120 Kajen sun lounger
U16-87/180 Kajen sun lounger
U16-87/300 Kajen sun lounger

Delivery Specification

U16-87/120, U16-87/180
Seat: 1 pc
Footrest: 1 pc
Middle section: 1 pc
Legs for seat: 2 pcs
Legs for footrest: 2 pcs
M10 Screws: 16 pcs

U16-87/300
Seat: 1 pc
Footrest: 1 pc
Middle section: 1 pc
Legs for seat: 3 pcs
Legs for footrest: 3 pcs
M10 Screws: 24 pcs



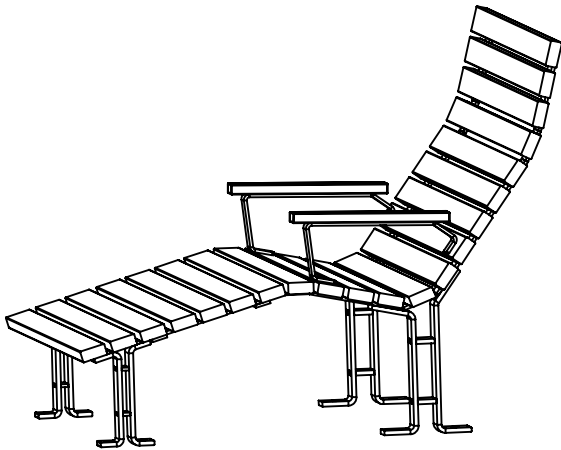
Kajen solsoffa sid 6/9

MONTERINGSBESKRIVNING

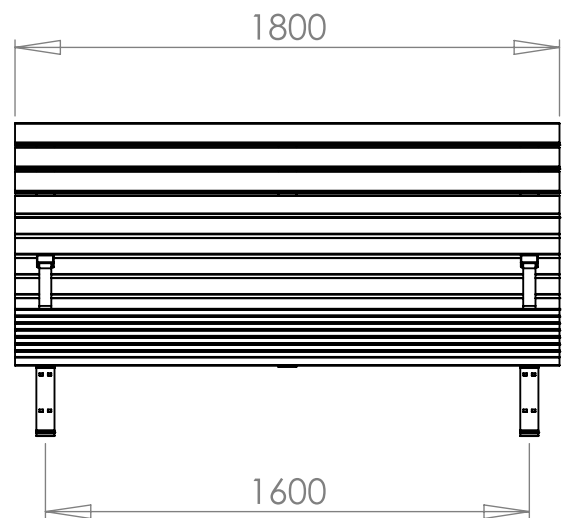
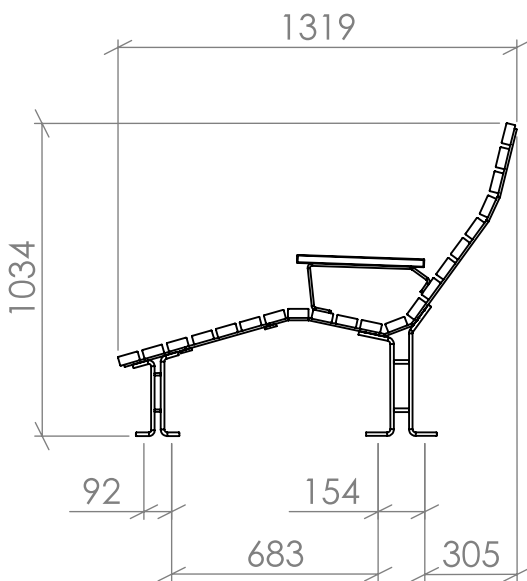
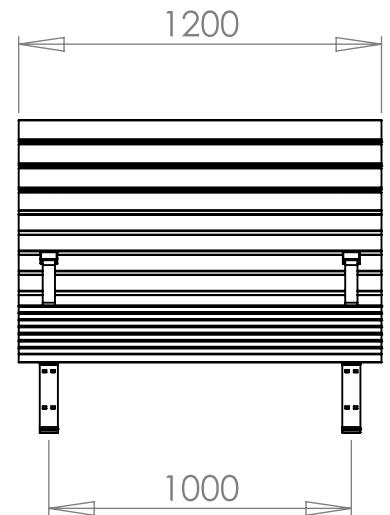
Headoffice: Nola Industrier AB Repslagargatan 15b Box 17701
S-118 93 Stockholm T:+46(0)8 702 19 60 F:+46(0)8 702 19 62
E:headoffice@nola.se Sales/showroom: Skeppsbron 3
S-211 20 Malmö T:+46(0)40 17 11 90 Orderfax:+46(0)40 12 75 45

nola

www.nola.se



U16-87 + U16-85-3



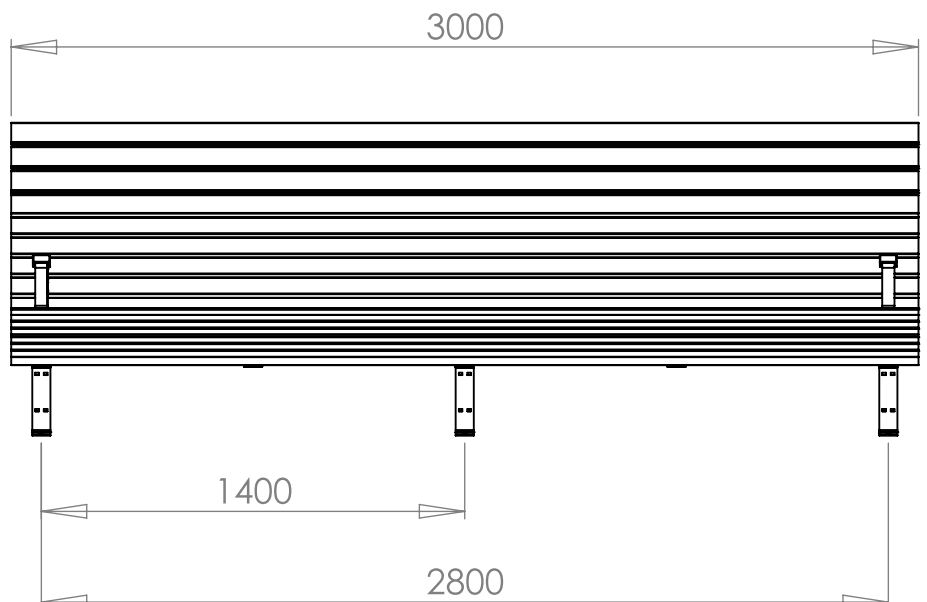
Specifications

U16-87/120 Kajen sun lounger
U16-87/180 Kajen sun lounger
U16-87/300 Kajen sun lounger
U16-85-3 Kajen armrest

Delivery Specification

U16-87/120, U16-87/180
Seat: 1 pc
Footrest: 1 pc
Middle section: 1 pc
Legs for seat: 2 pcs
Legs for footrest: 2 pcs
M10 Screws: 16 pcs

U16-87/300
Seat: 1 pc
Footrest: 1 pc
Middle section: 1 pc
Legs for seat: 3 pcs
Legs for footrest: 3 pcs
M10 Screws: 24 pcs



Assembly

The Kajen sun lounger is delivered with a seat and legs in two parts. The legs are attached to the sofa using the included M10 screws, 4 per leg (as shown in image 1).

The sofa can then be mounted to the ground using one of the following methods for the holes shown in image 2.

Mounting on wooden surfaces

Attach using French wood screws to the wooden surface.

Mounting on cobblestone or paving slabs

Cast the slabs in concrete. There must be no setting sand between the slabs and the concrete. Drill the slab for expansion bolts or chemical anchors.

Mounting on concrete surfaces

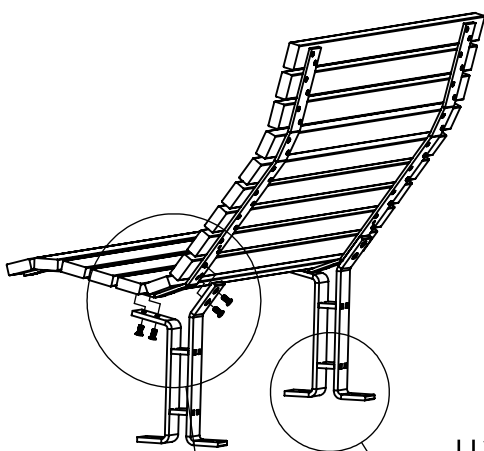
Drill the concrete for expansion bolts or chemical anchors.

Mounting with expansion bolts allows for a removable installation. Mounting with chemical anchors provides a permanent installation.

Mounting on gravel or grass

Excavate the ground for a concrete foundation. Cast a foundation using a concrete tube or cardboard tube. The top of the foundation should be finished with a radius. Drill the foundation for expansion bolts or chemical anchors.

Attach the base to the foundation and restore the ground.



U16-85

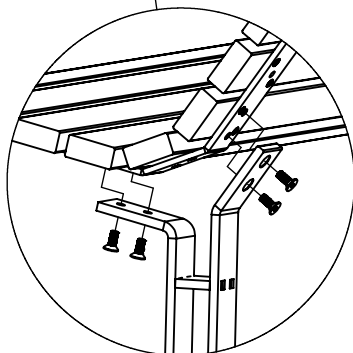


Bild 1

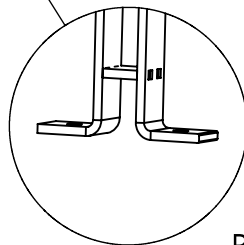


Bild 2

Kajen solsoffa sid 8/9

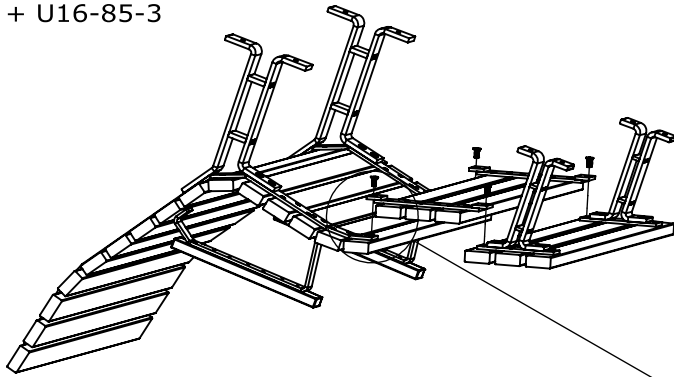
MONTERINGSBESKRIVNING

Headoffice: Nola Industrier AB Repslagargatan 15b Box 17701
S-118 93 Stockholm T:+46(0)8 702 19 60 F:+46(0)8 702 19 62
E:headoffice@nola.se Sales/showroom: Skeppsbron 3
S-211 20 Malmö T:+46(0)40 17 11 90 Orderfax:+46(0)40 12 75 45

www.nola.se

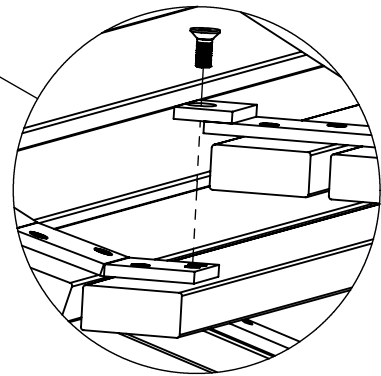
nola

U16-87 + U16-85-3



Mounting the Middle Section

The middle section of sofa U16-87 is installed by placing the section between the seat and the footrest. It is then secured with M10 screws on each side of all middle sections, as shown in the image.



Kajen solsoffa sid 9/9

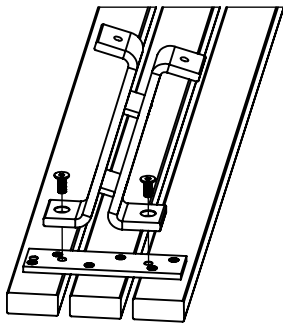
MONTERINGSBESKRIVNING

nola

Headoffice: Nola Industrier AB Repslagargatan 15b Box 17701
S-118 93 Stockholm T:+46(0)8 702 19 60 F:+46(0)8 702 19 62
E:headoffice@nola.se Sales/showroom: Skeppsbron 3
S-211 20 Malmö T:+46(0)40 17 11 90 Orderfax:+46(0)40 12 75 45

www.nola.se

1



Assembly

The Kajen footrest is delivered with the foot support and legs in two parts. The legs are attached to the foot support using the included M10 screws, 2 per leg (as shown in image 1).

The footrest can then be mounted to the ground using one of the following methods through the holes shown in image 2.

Mounting on wooden surfaces

Attach using French wood screws to the wooden surface.

Mounting on cobblestone or paving slabs

Cast the slabs in concrete. There must be no setting sand between the slabs and the concrete. Drill the slab for expansion bolts or chemical anchors.

Mounting on concrete surfaces

Drill the concrete for expansion bolts or chemical anchors.

Mounting with expansion bolts allows for a removable installation. Mounting with chemical anchors provides a permanent installation.

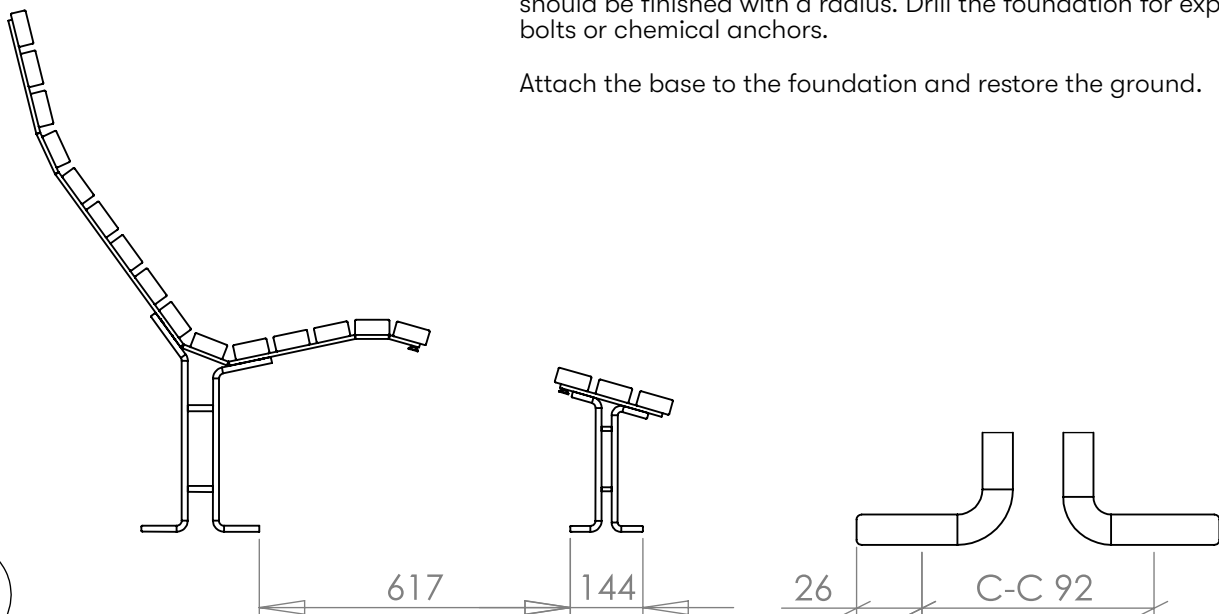
Mounting on gravel or grass

Excavate the ground for a concrete foundation. Cast a foundation using a concrete tube or cardboard tube. The top of the foundation should be finished with a radius. Drill the foundation for expansion bolts or chemical anchors.

Attach the base to the foundation and restore the ground.

U16-86

2



U16-85

U16-86