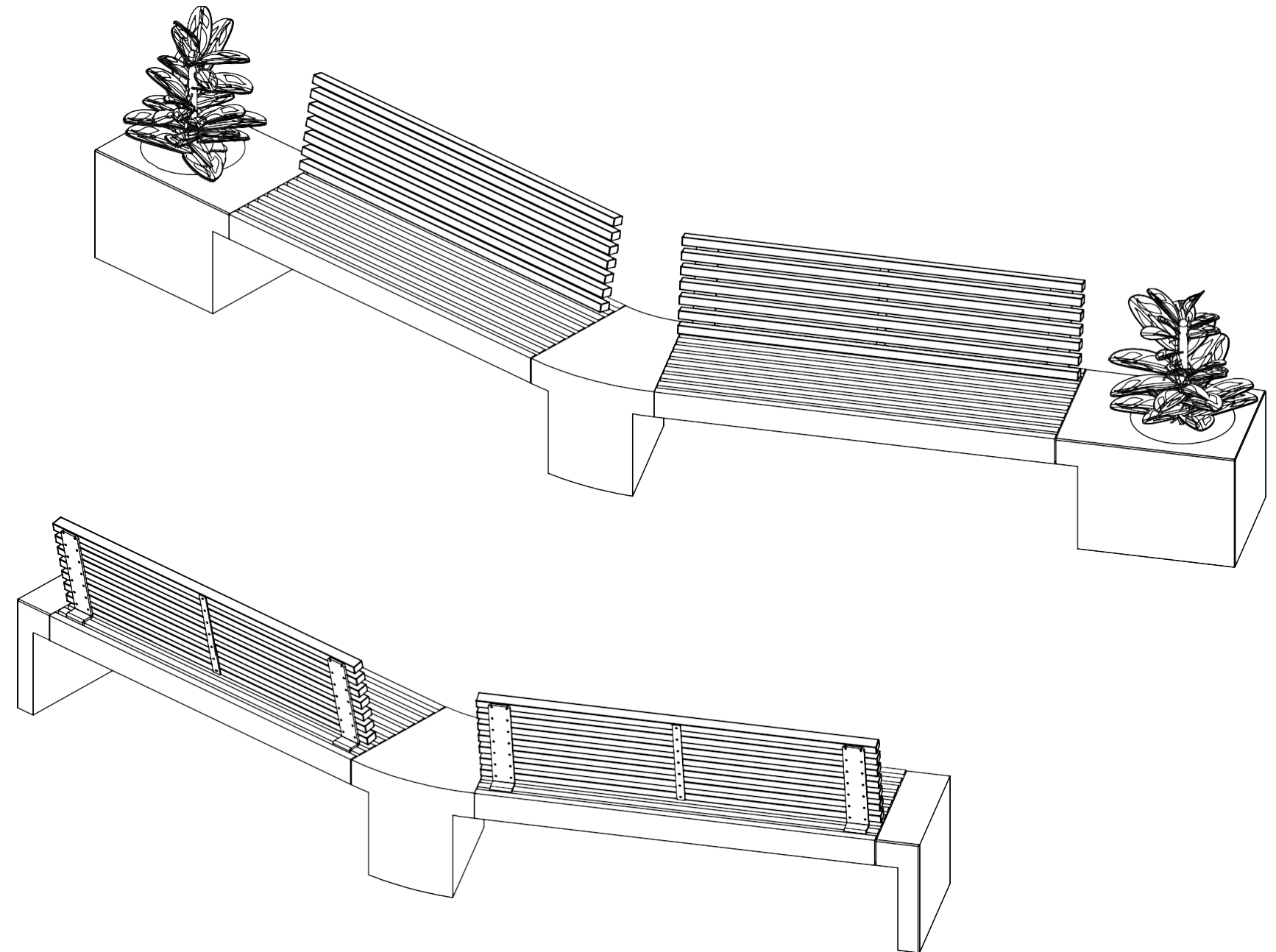


# Installation instructions

## Paxa Furniture Group and System

### Table of contents

Product overview	p. 2
Fastening	p. 3-4
Mounting seat and stand	p. 5
Mounting backrests	p. 6
Mounting armrests	p. 7
Dimensions	p. 8-10
System Description	p. 11
System design	p. 12
Example of system	p. 13-14

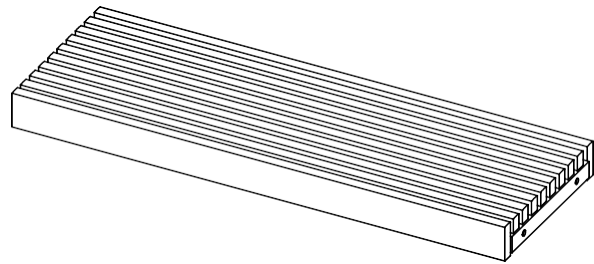


# Paxa Furniture Product Overview

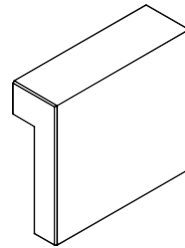
Drawn by Joachim Henriksson  
Drawn date 2023-12-15

## Stands for Paxa 1

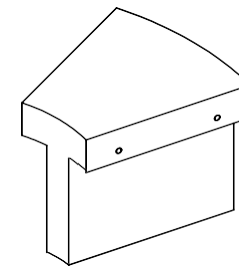
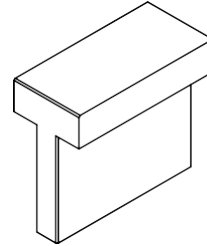
**U20-63** Paxa 1,  
seat



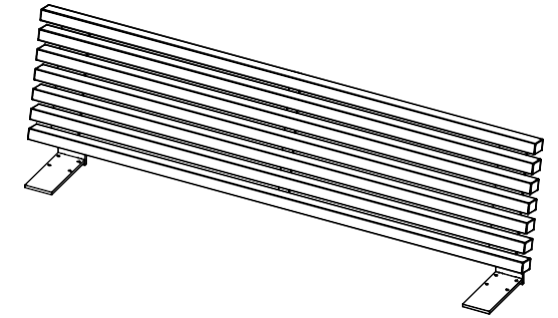
**U20-61** End frame



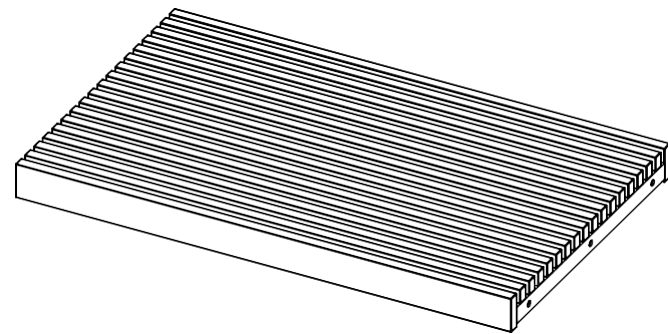
**U20-62** Center stand **U20-61-NO3** Angled  
center stand 30 degrees



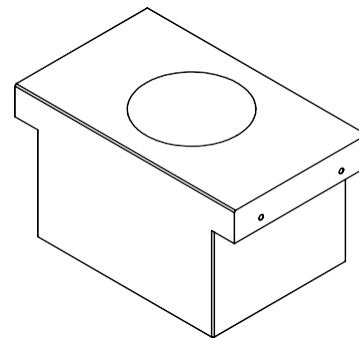
**U20-60R** Backrest bench



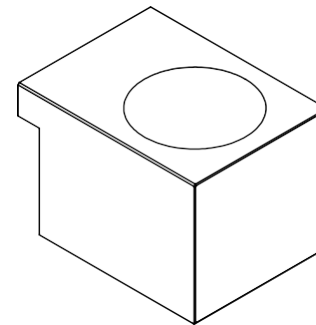
**U20-67** Paxa 2, seat



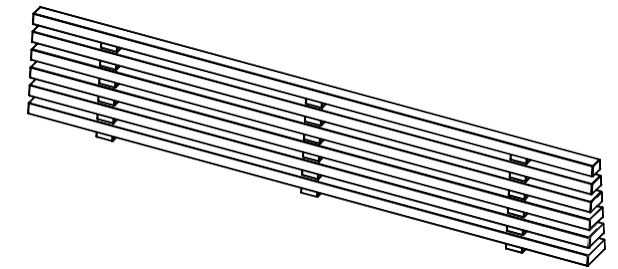
**U20-61-NO1** Centre  
frame with planter



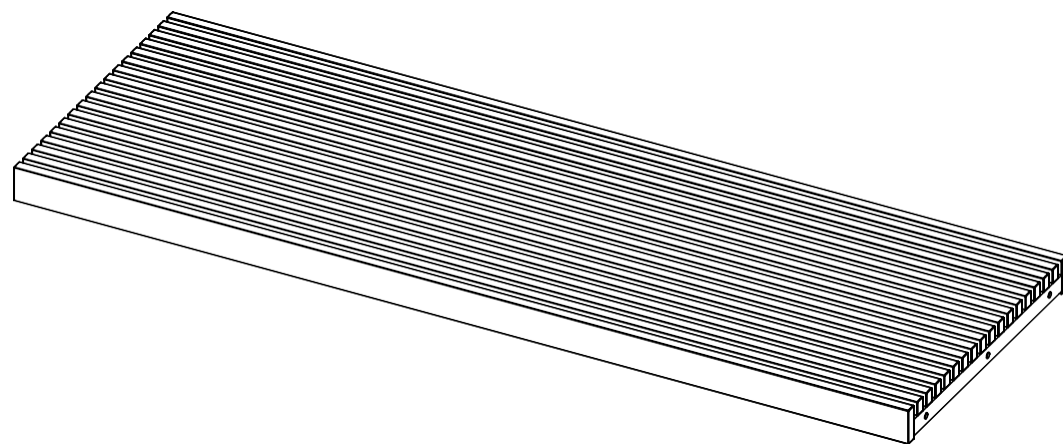
**U20-61-NO2** End  
frame with planter



**U20-67R** Backrest Paxa 2,  
pyramid

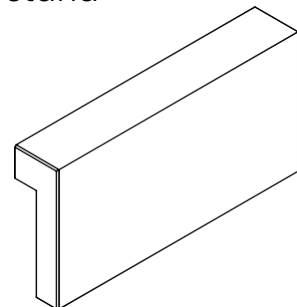


**U20-69** Paxa 3, seat

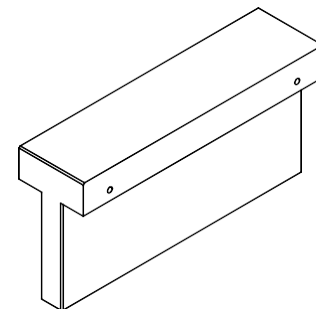


## Stand for Paxa 2 and 3

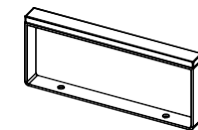
**U20-65** End frame  
stand



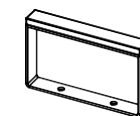
**U20-66** Center



**U20-60/ARM** Armrests for  
Paxa without backrest



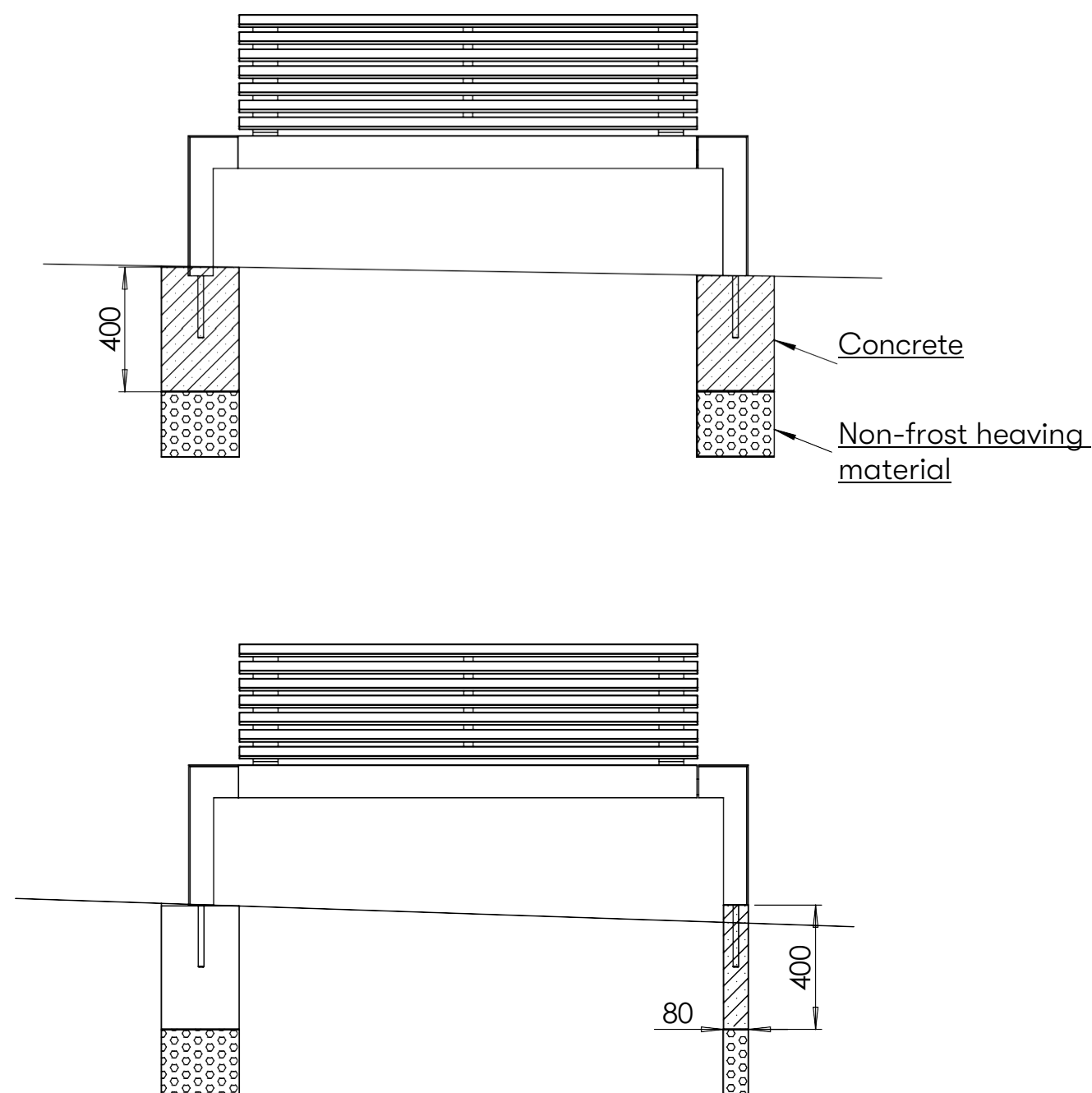
**U20-64/ARM** Armrests for  
Paxa with backrest



# Paxa Furniture

## Fastening Ground Fixed

Drawn by Joachim Henriksson  
Drawn date 2023-12-15



### Attachment

#### Fastening Ground Fixed

If the ground slopes, the ground slope must be taken up in the stands. This means that one of the stands will be at a lower height than normal seat height. See the first picture.

1. Install the threaded rods in the underside of the concrete frame.
2. Excavate the ground to a frost-free depth.
3. Fill up with non-frost heaving material to a height of 400 mm below the finished ground.
4. Fill in concrete, brace and set up the concrete frames.

It is also possible to mount one frame at normal seat height while the other frame is undercast so that it has the right seat height. See the second picture.

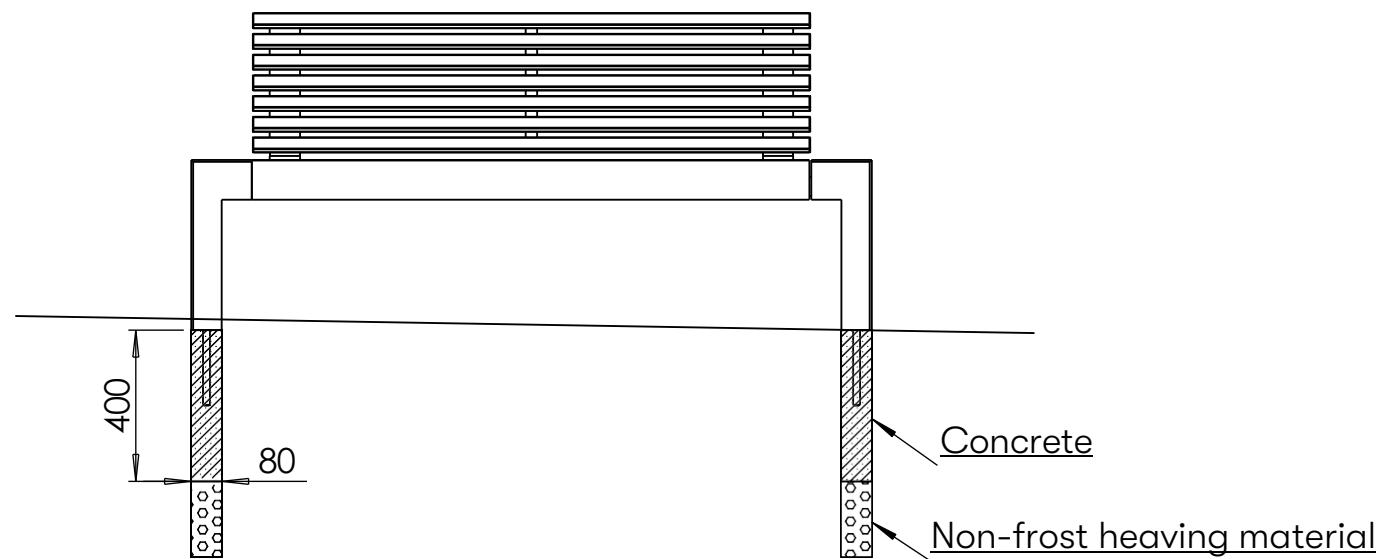
This means that you cast underneath that stand and cast a plinth with dimensions similar to the stand. 500 x 80 mm (Paxa 1), 900 x 80 mm (Paxa 2 and 3).

After the plinth has been cast, the plinth for kerb angle bolts C-C 300 (Paxa 1), C-C 700 (Paxa 2 and 3) is drilled. The holes are filled with expanding concrete and the plinth with input bolts is placed in place.

# Paxa Furniture

## Fastening Ground Fixed

Drawn by Joachim Henriksson  
Drawn date 2023-12-15



### Attachment

If the bench is to be set up on soft ground, grass, gravel or similar, the stands must be undercast.

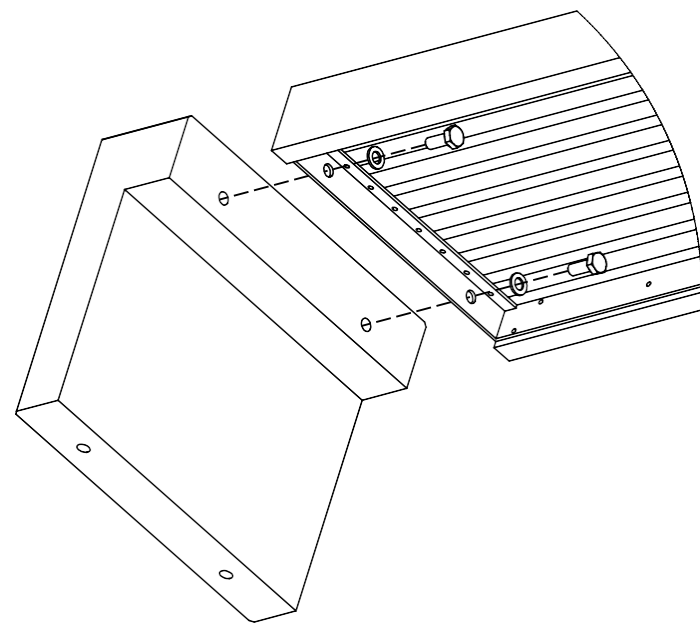
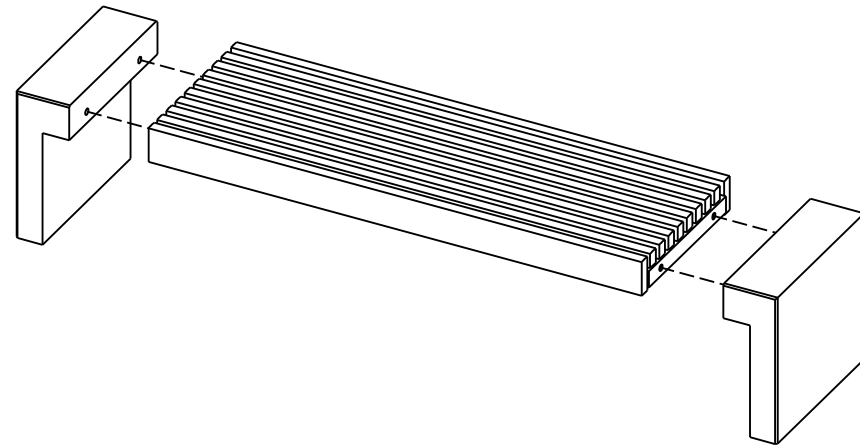
### Installation Ground fixed with undercasting

1. Excavate the ground to a frost-free depth.
2. Fill up with non-frost heaving material to a height of 400 mm below the finished ground.
3. Cast a plinth for each stand with the dimensions 80 x 500 mm (Paxa 1), 80 x 900 mm (Paxa 2 and 3) and 400 mm deep and with recesses for the plinth studs. The studs are located 100 mm from the outer edges.
4. Install the bench seat to the stands with the bolts attached.
5. When the cast-in-place frames have burned, the bench frames are placed on the foundations with kerb angle bolts. They are cemented with expanding concrete.

# Paxa Furniture

## Mounting Seat and Stand

Drawn by Joachim Henriksson  
Drawn date 2023-12-15



### Mounting Seat and Stand

The bench frames are set up on a horizontal surface. They can be set up free-standing but can also be cast into the ground with the included studs.

Then attach the seat to the concrete frames with the included M16 x 40 mm bolt and washer. As illustrated in the pictures. The concrete frames are fitted with threaded holes so no nut is required.

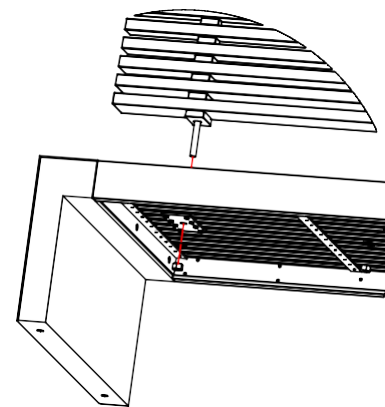
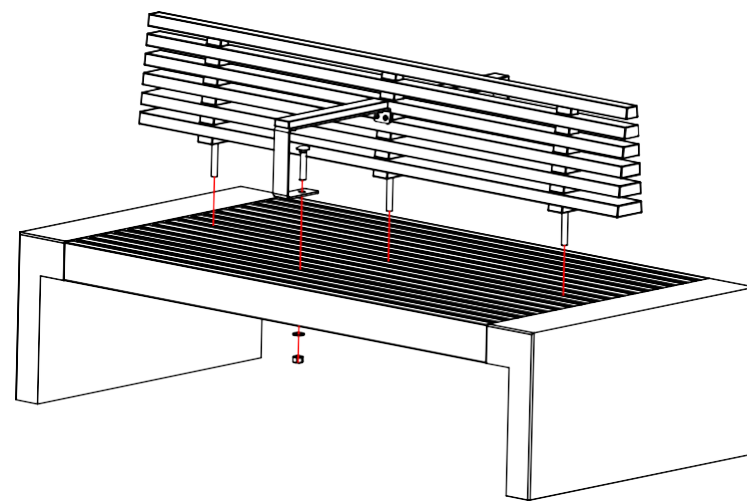
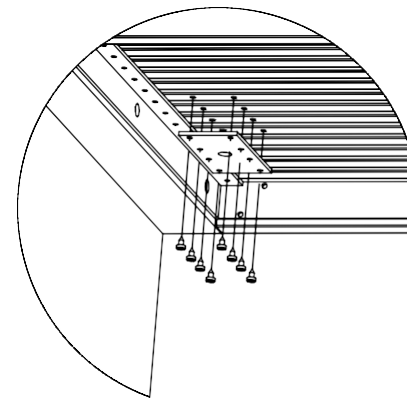
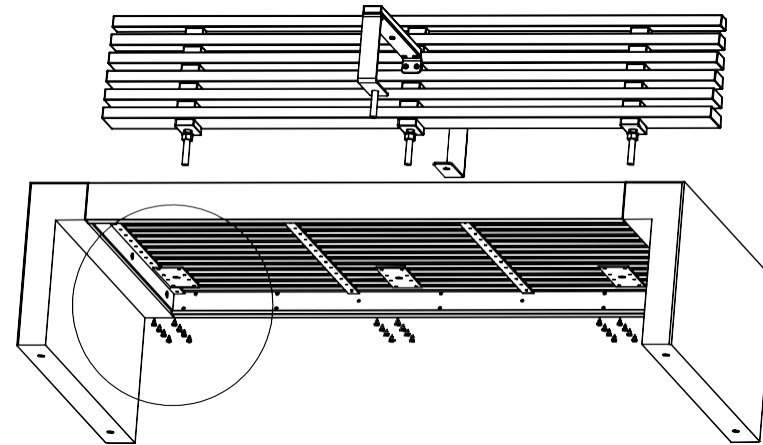
Make sure the seat and edge of the stand live.

# Paxa Furniture

## Mounting backrest

Drawn by Joachim Henriksson  
Drawn date 2023-12-15

U20-67R



The backrest **U20-60R** for Paxa 1, seat is delivered assembled. It is important that the order is placed together.

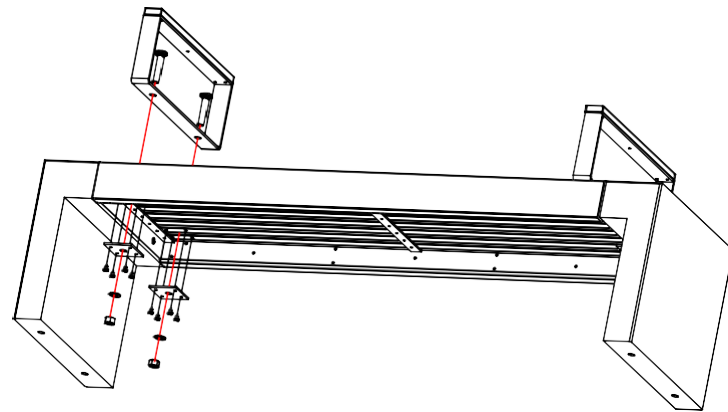
The U20-67R **backrest** for Paxa 2, seat is delivered unassembled and mounted with associated washers, nuts and screws. The backrest can be ordered retrospectively. If armrests are desired for **the U20-67R**, this is delivered mounted against the back and both are mounted at the same time as one.

### Mounting backrest

1. Place the backrest and measure so it is centered in length and width.
2. Assemble the large washer and secure it with the wood screws.
3. Install the nuts and fasten the backrest so that it is secure.

# Paxa Furniture Mounting Armrests

Drawn by Joachim Henriksson  
Drawn date 2023-12-15



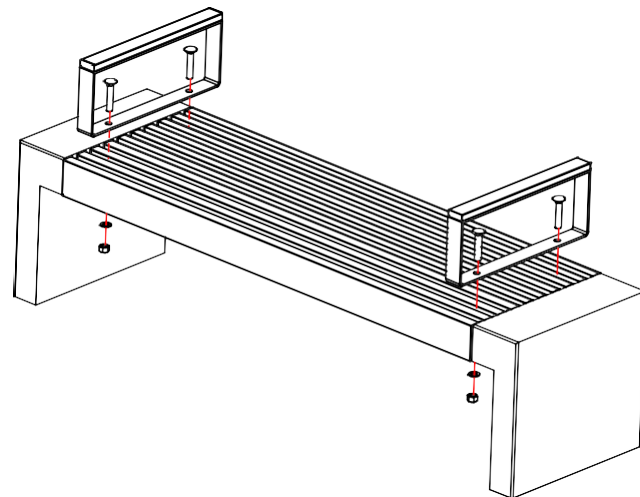
Armrest **U20-60/ARM** for Paxa 1, seat without backrest, delivered unassembled. Supplied incl. fasteners.

Armrest **U20-64/ARM** for Paxa with back. For Paxa 2 and 3 with backrest, the armrest is delivered mounted in combination with the backrest. Supplied with. fasteners.

## Mounting Armrests

The armrests are installed according to the same principle as the backrest.

1. Place armrests at the selected location. It is recommended to place an armrest at each end of the seat section, possibly an armrest in the middle for accessibility.
2. Measure so that the armrest is centered in length and width.
3. Install the large tray under the seat and secure it with wood screws to the boards of the seat.
4. Install the nuts and then tighten the armrest so that it sits firmly.

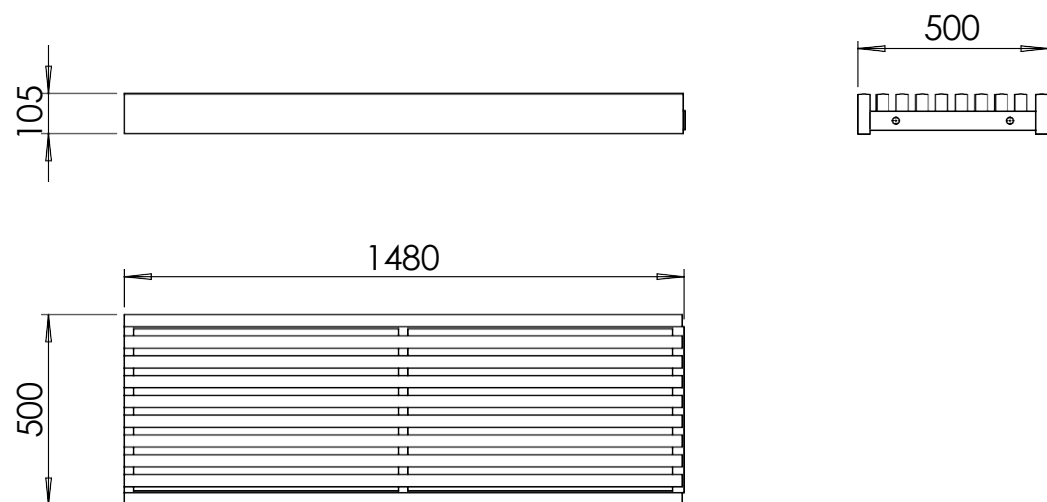


# Paxa Furniture

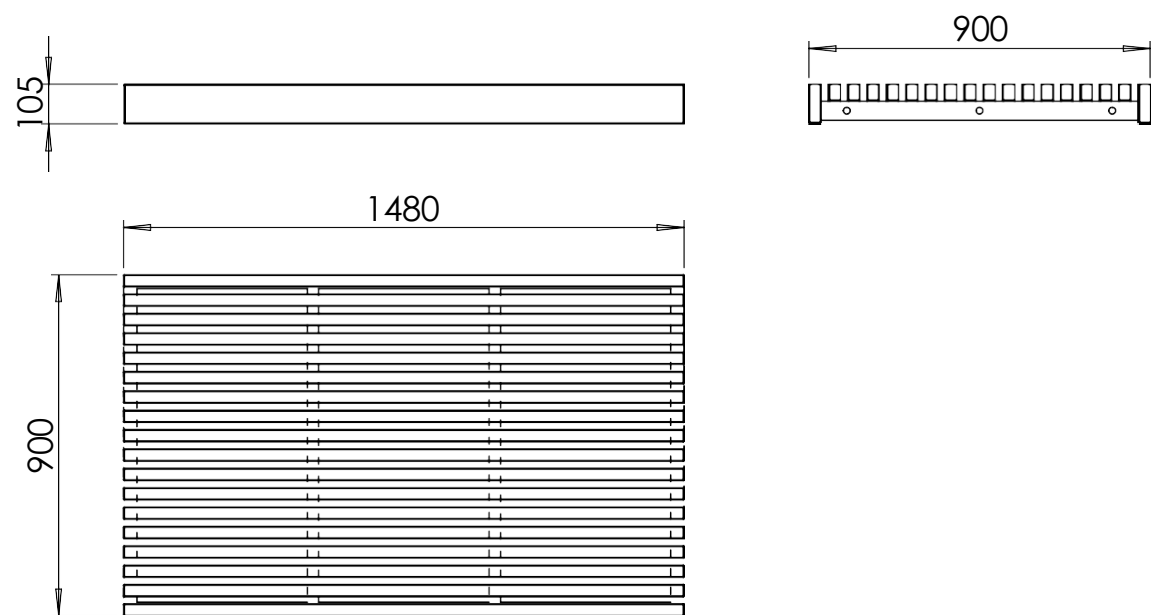
## Dimensions specification

Drawn by Joachim Henriksson  
Drawn date 2023-12-15

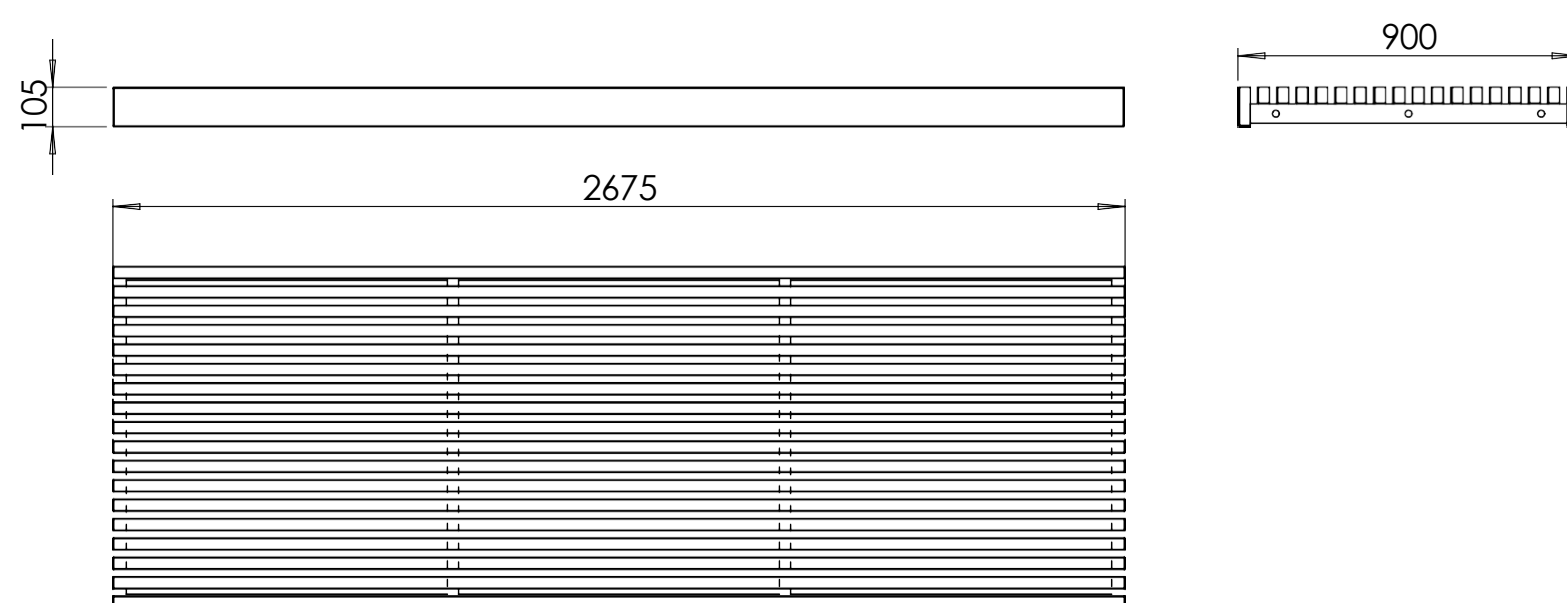
U20-63 Paxa 1, seat



U20-67 Paxa 2, seat



U20-69 Paxa 3, seat



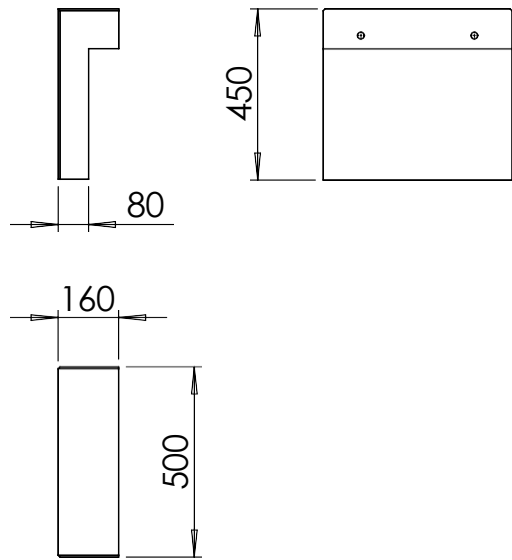


# Paxa Furniture

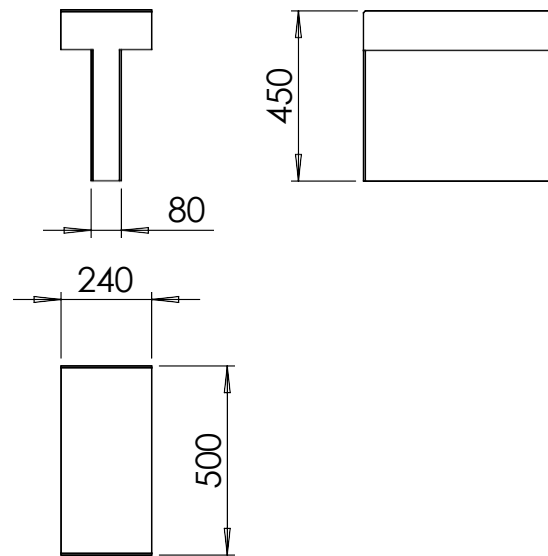
## Dimensions specification

Drawn by Joachim  
Henriksson Drawn date

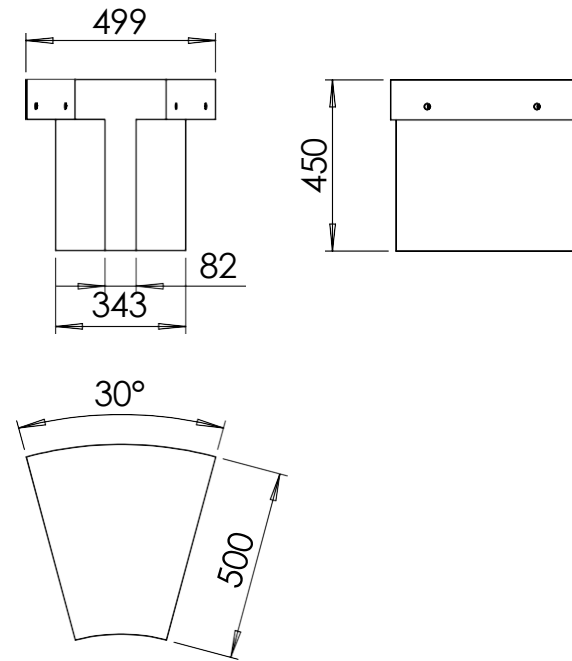
**U20-61** End Frame  
Weight: 53 kg



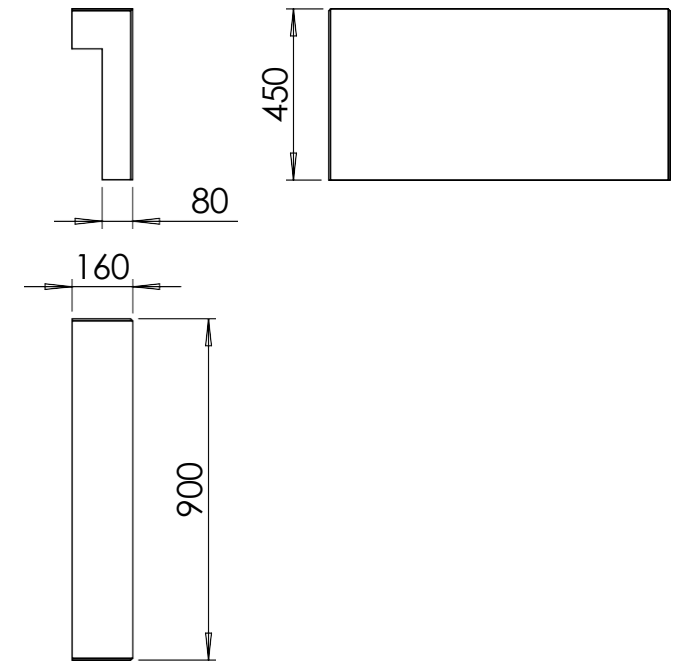
**U20-62** Midstair  
Weight: 63 kg



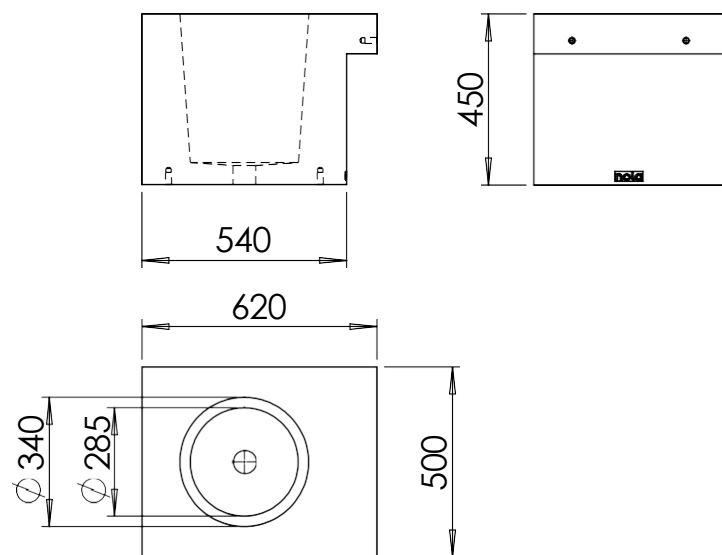
**U20-61-NO3** Center Stand  
Angle Weight: 135 kg



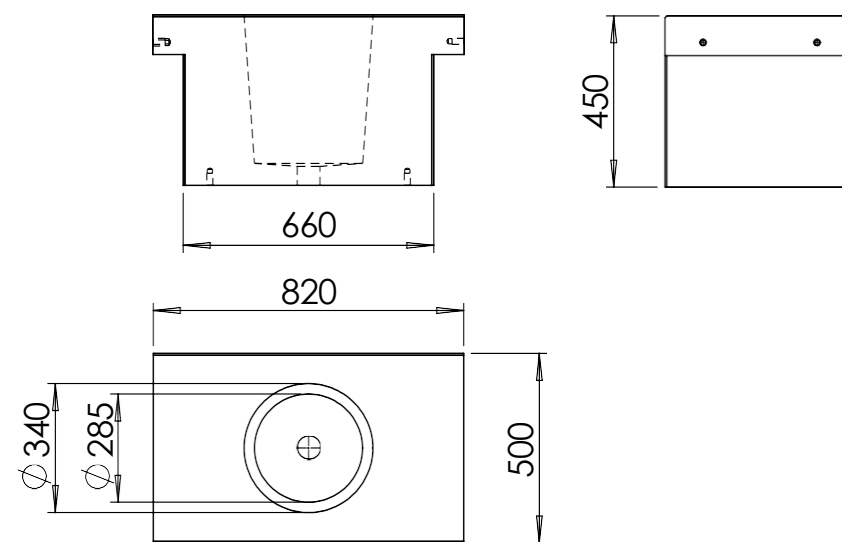
**U20-65** End Frame  
Weight: 96 kg



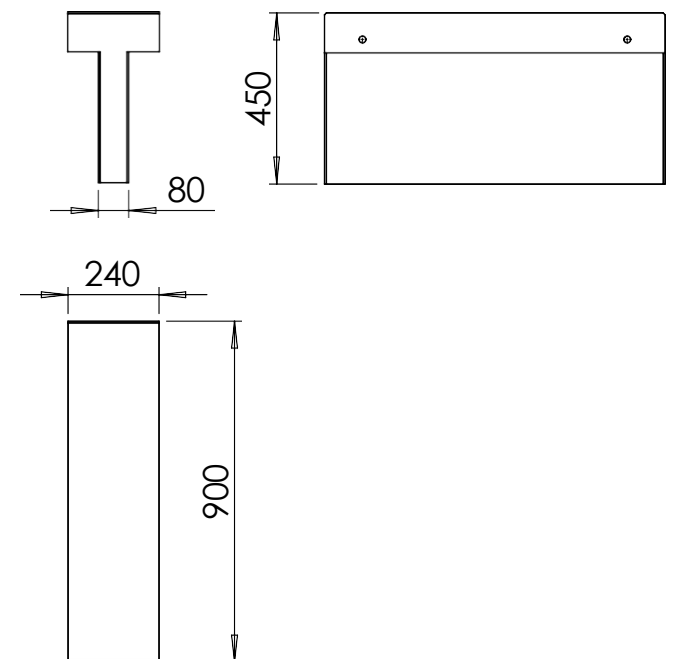
**U20-61-NO2** End frame with planter  
Weight: 228 kg



**U20-61-NO1** Centre frame with planter  
Weight: 303 kg



**U20-66** Center  
Stand Weight: 114 kg

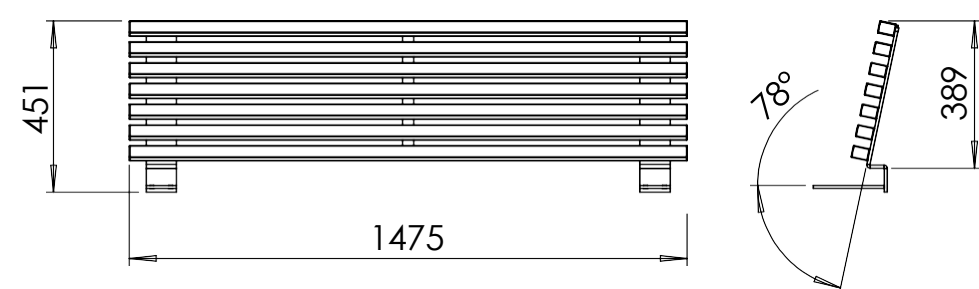


# Paxa Furniture

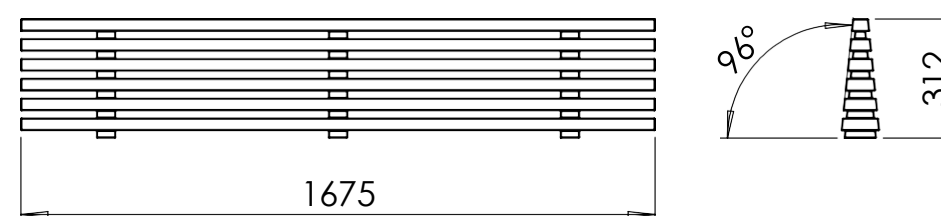
## Dimensions specification

Drawn by Joachim  
Henriksson Drawn date

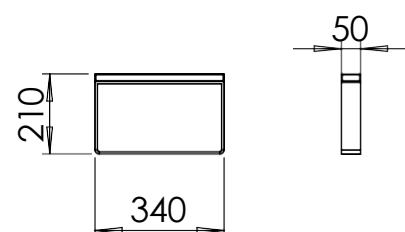
**U20-60R** Backrest for Paxa 1, Seat



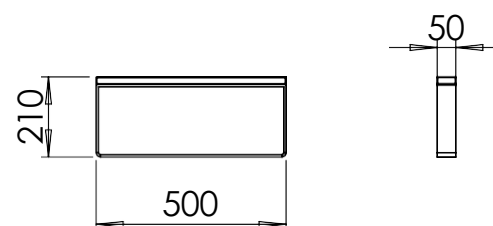
**U20-67R** Backrest for Paxa 2, Seat



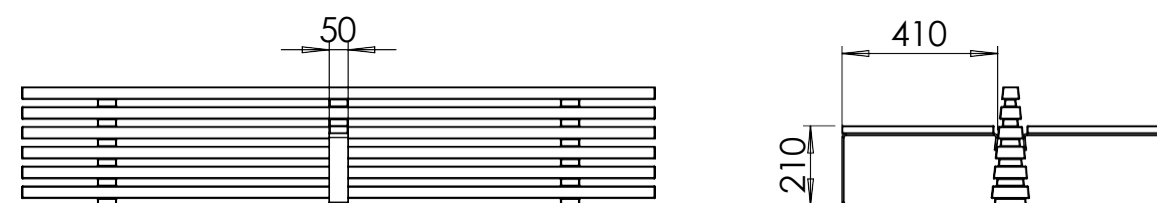
**U20-60/ARM** Armrests  
for Paxa without  
backrest



**U20-64/ARM** Armrests  
for Paxa with backrest



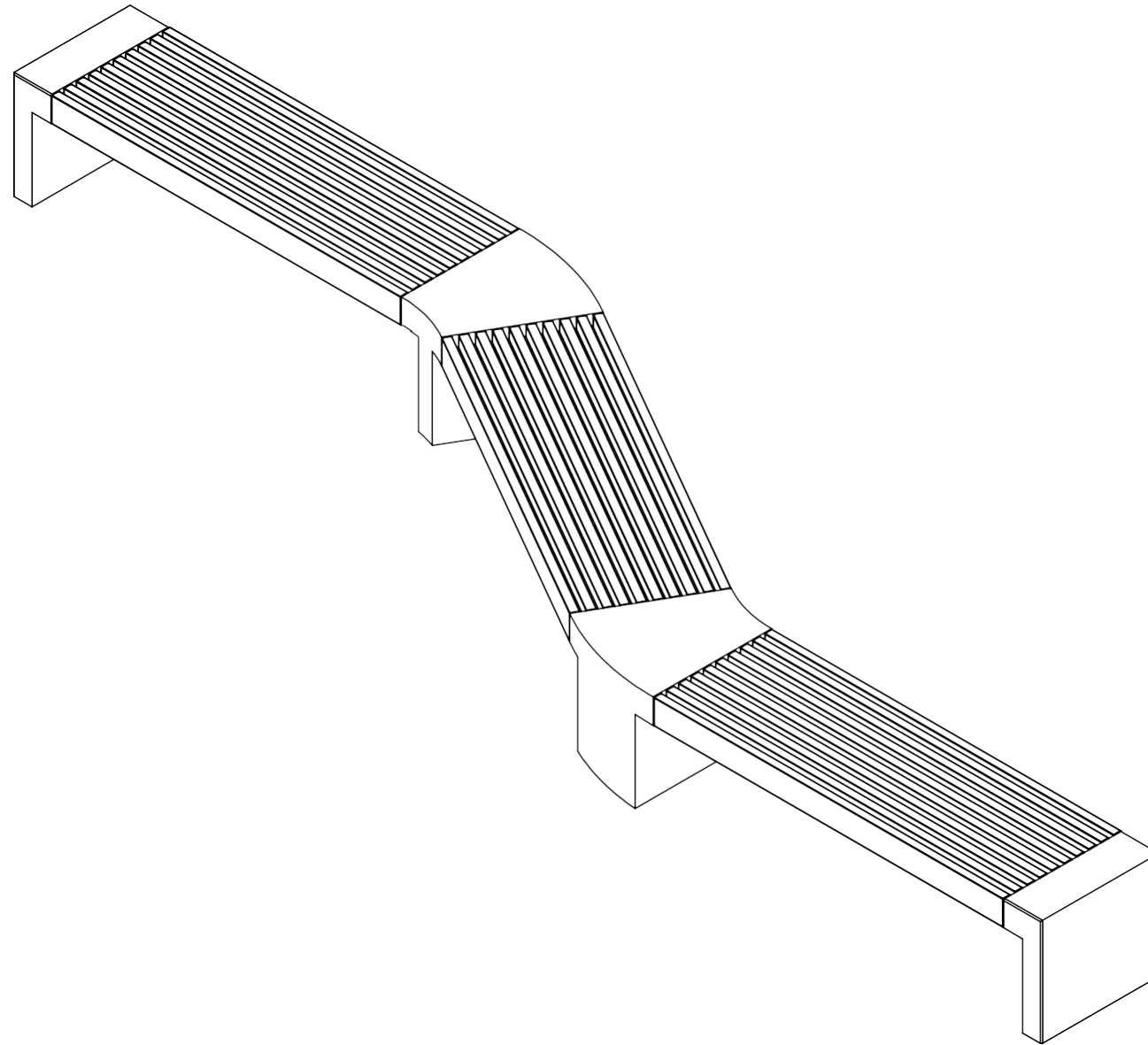
**U20-67R** Backrest for Paxa 2, Seat



# Paxa Furniture

## System description

Drawn by Joachim  
Henriksson Drawn date



The illustration shows 3 **U20-63 Paxa 1, seat**, 2 U20-61 End frame and 2 **U20-61-NO3 Angled frame**.

### System description

Paxa Furniture System is a bench system that can be combined with different concrete frames to create creative systems.

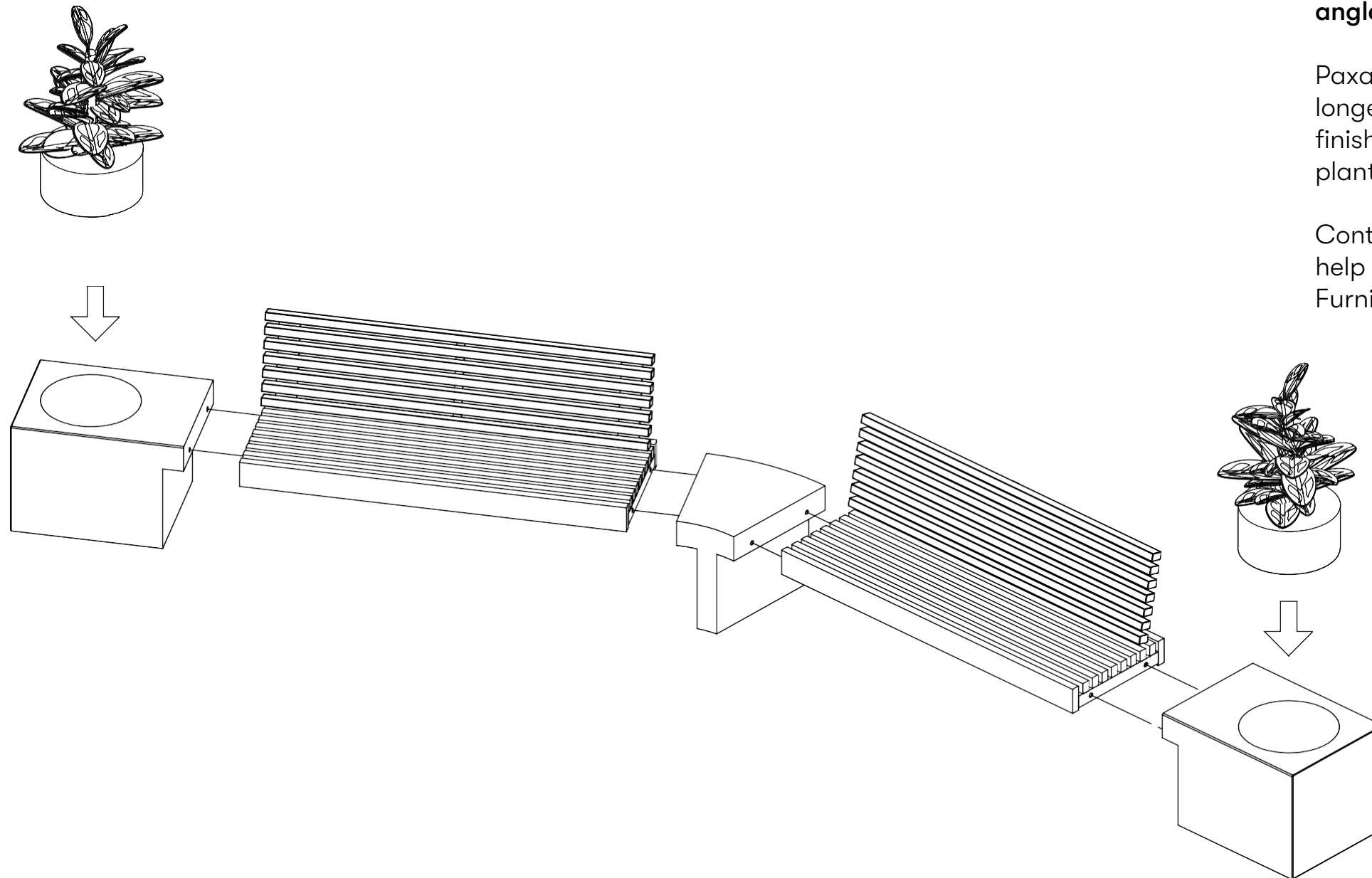
There are 3 options for the seat, Paxa 1 U20-63 which is 1800 x 500 mm, Paxa 2 U20-67 which is 1800 x 900 mm and Paxa 3 U20-69 which is 1800 x 900

Paxa 1 can be combined with end frame, center frame, angled center frame and end frame with planting as well as center frame with planting. There is a backrest U20-60R as an add-on, it is delivered assembled. There are armrests as an add-on, single U20-64/ARM for Paxa 1 with backrest, alternatively double U20-60/ARM for Paxa 1 without backrest.

Paxa 2 and 3 are available with end and center frames, but can be combined and built together for longer benches. There are backrests as add-ons U20-67R for Paxa 2 and 3. It is delivered unassembled and can be combined with armrests in the middle that are mounted in the backrest. Enter /ARM after the article number when ordering backrests for Paxa 2 and 3.

# Paxa Furniture System Architecture

Drawn by Joachim  
Henriksson Drawn date



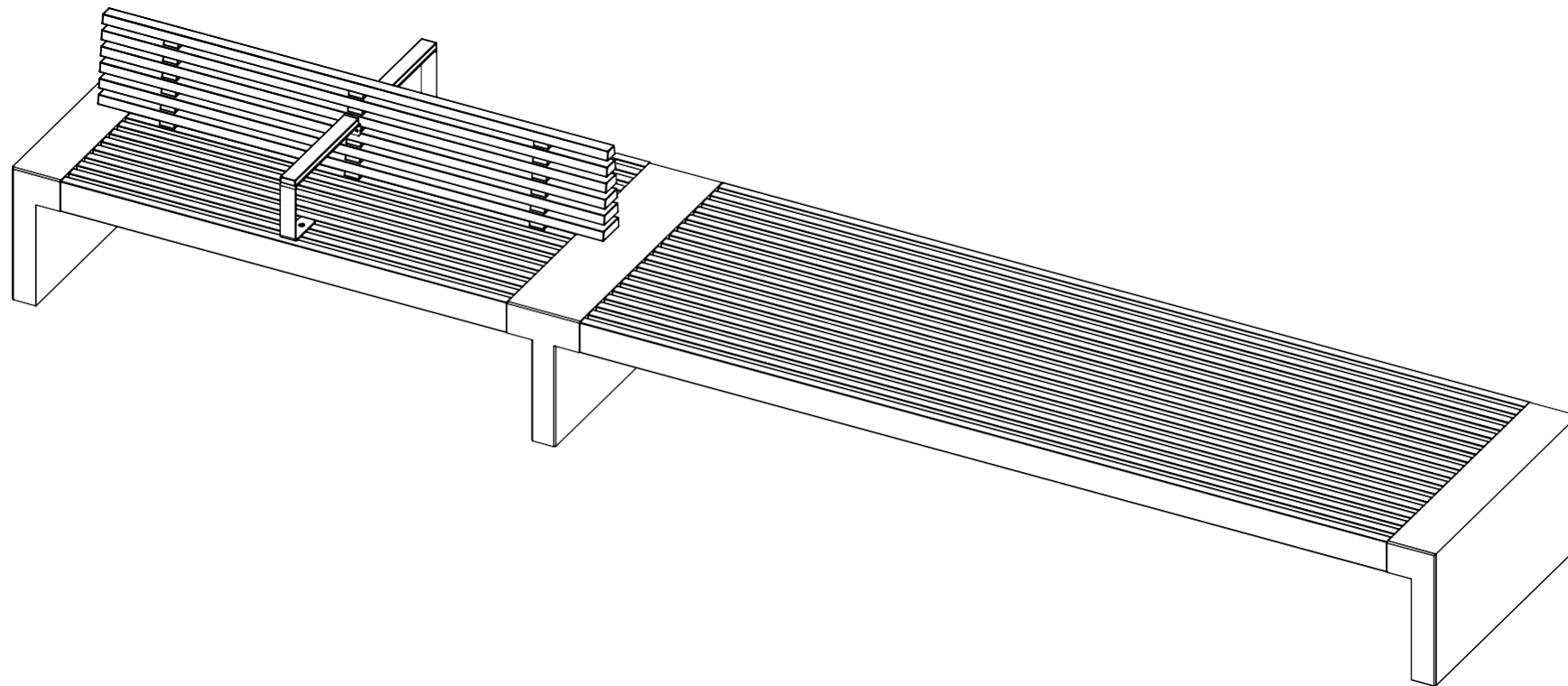
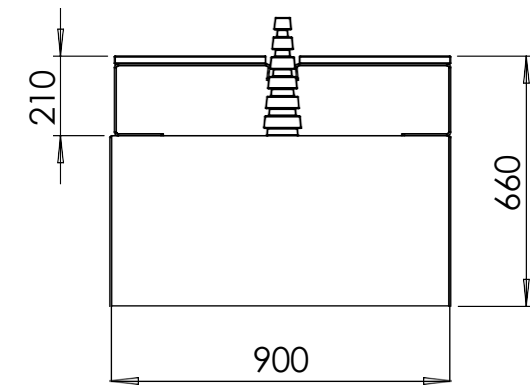
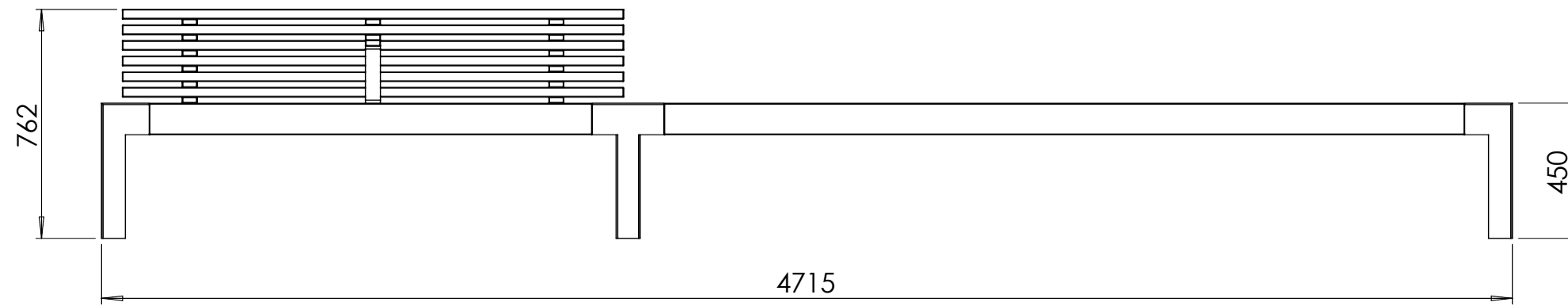
The illustration shows **2 U20-63 with backrest U20-60R, 2 U20-61-NO2 End frame with planting and 1 U20-61-NO3 angled center frame.**

Paxa Furniture System can be expanded into longer systems as long as you start and finish with an end frame, with or without planting.

Contact Nola if you have any questions or help with the system construction of Paxa Furniture System.

# Access furniture group Examples of

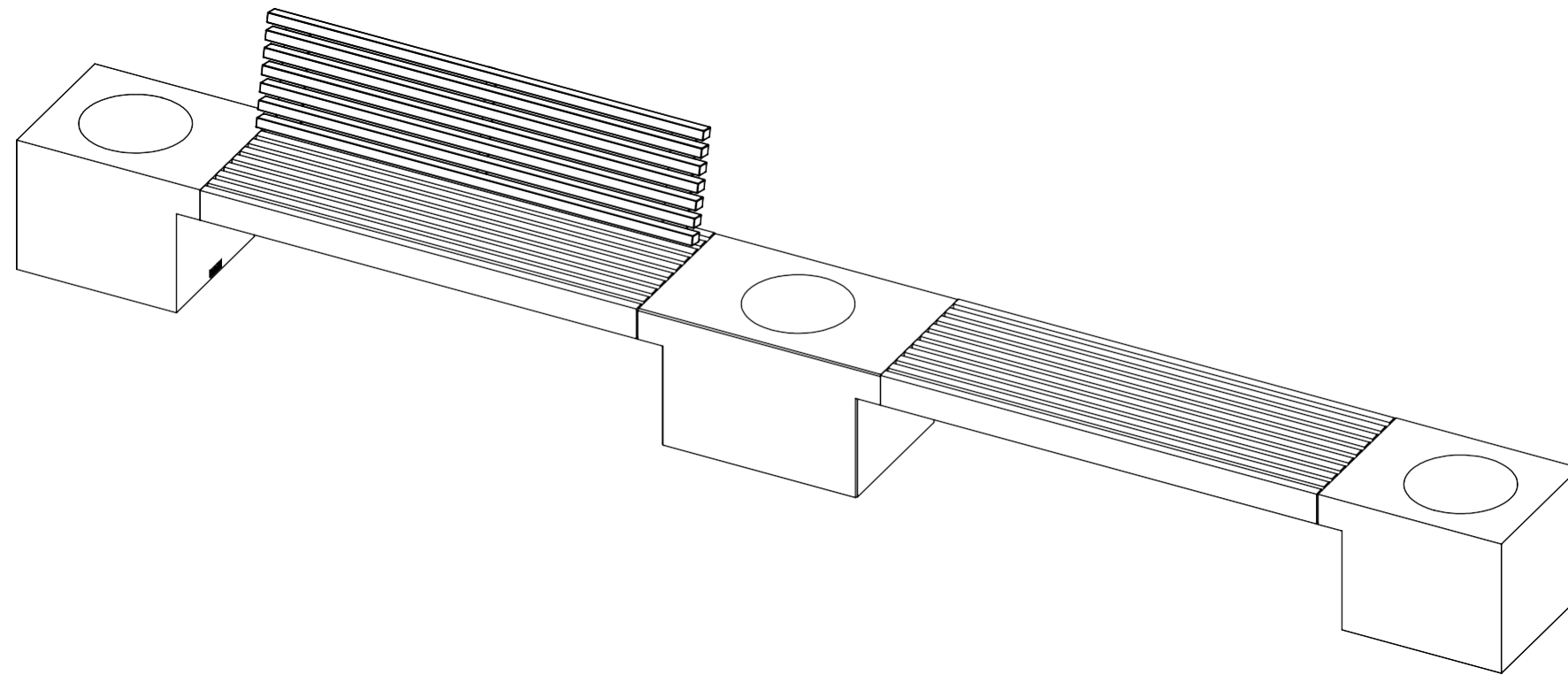
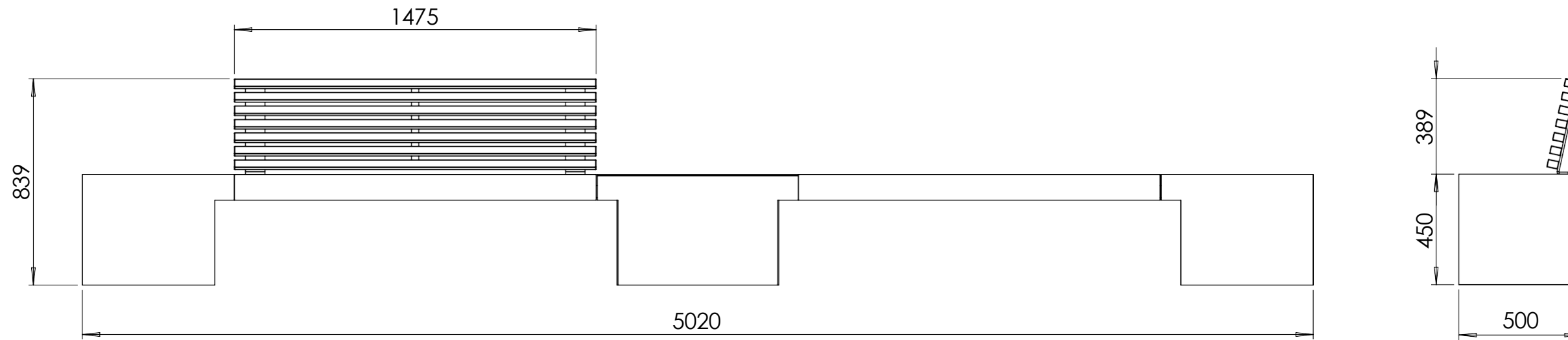
Drawn by Joachim  
Henriksson Drawn date



The illustration shows **1 U20-67 Paxa 2, seat and 1 U20-69 Paxa 3, seat, 2 U20-65 end frame, 1 U20-66 center frame and 1 U20-67R/ARM Backrest for Paxa 2 with armrests on both sides.**

# Paxa Furniture System Examples

Drawn by Joachim  
Henriksson Drawn date



The illustration shows **2 U20-63 Paxa 1**, seat, **1 U20-60R** backrest for one seat, **2 U2061-NO2 End frame with planting** and **1 U20-61-NO1 Center frame with planting**.