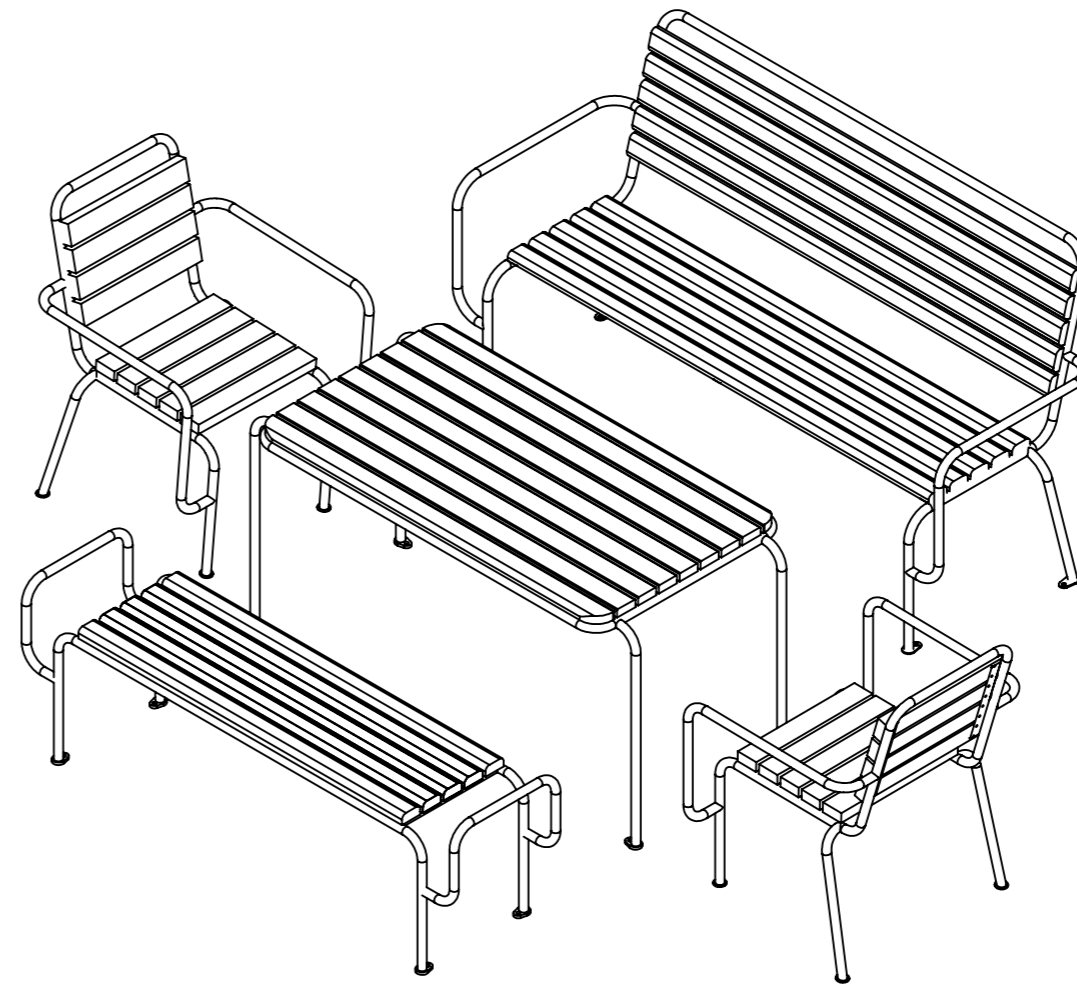


Assembly instructions

Tuben Furniture group

List of contents

Product overview	s. 2
U20-70 Tuben Park bench	s. 3
U20-71 Tuben Table	s. 4
U20-72 Tuben Bench	s. 5
U20-84 Tuben Armchair	s. 6
Fixing above ground	s. 7
Renovation, disassembly, recycling	s. 8

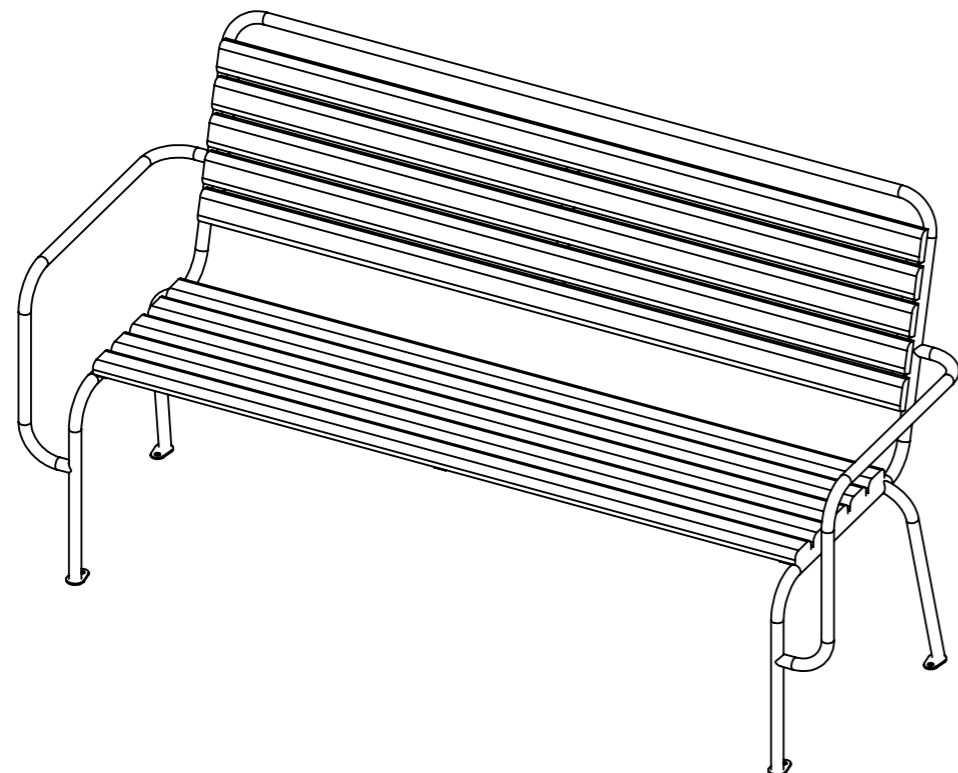


Tuben Furniture group

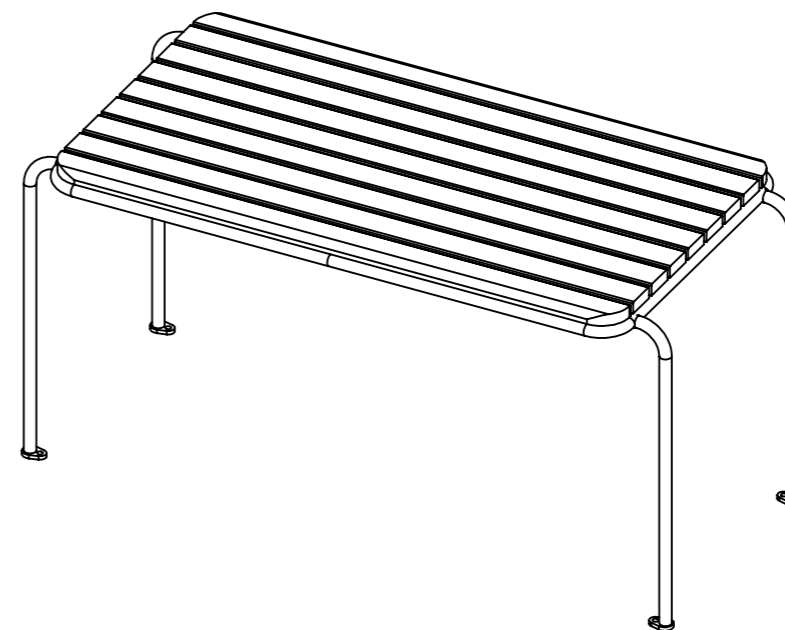
Product overview

Ritad av Joachim Henriksson
Uppdaterad 2024-09-11

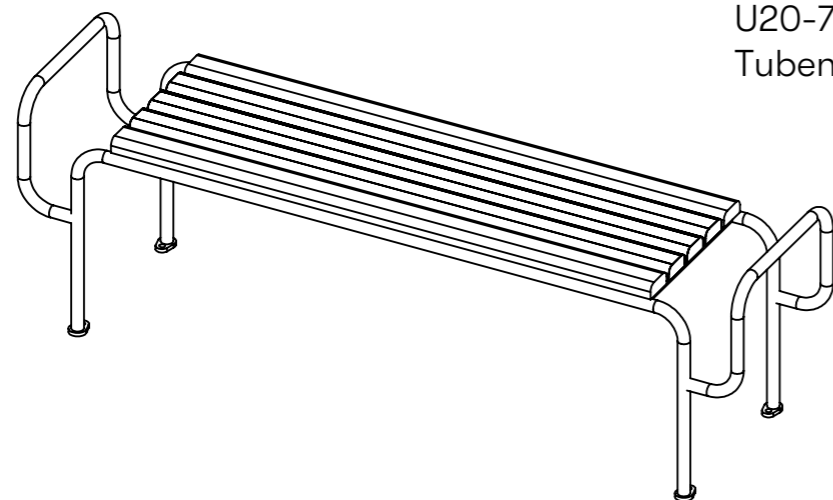
U20-70
Tuben Park bench



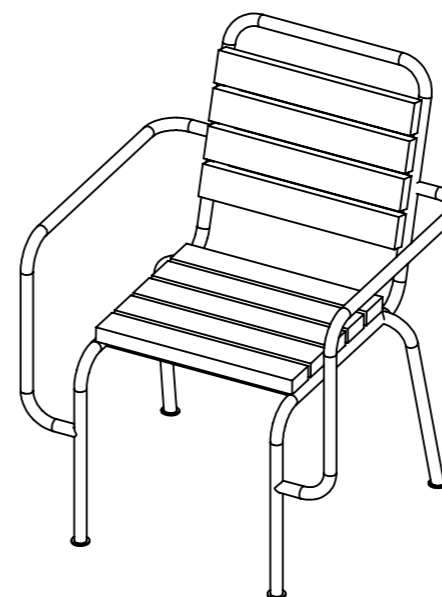
U20-71
Tuben Table



U20-72
Tuben Bench



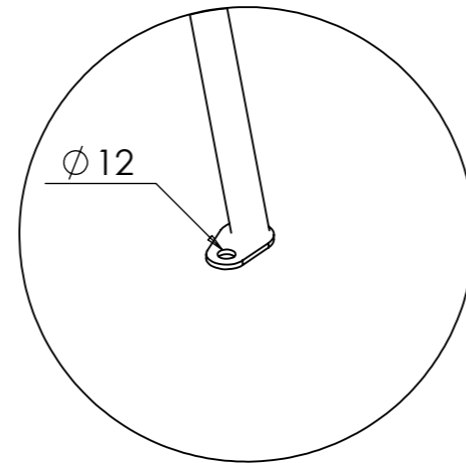
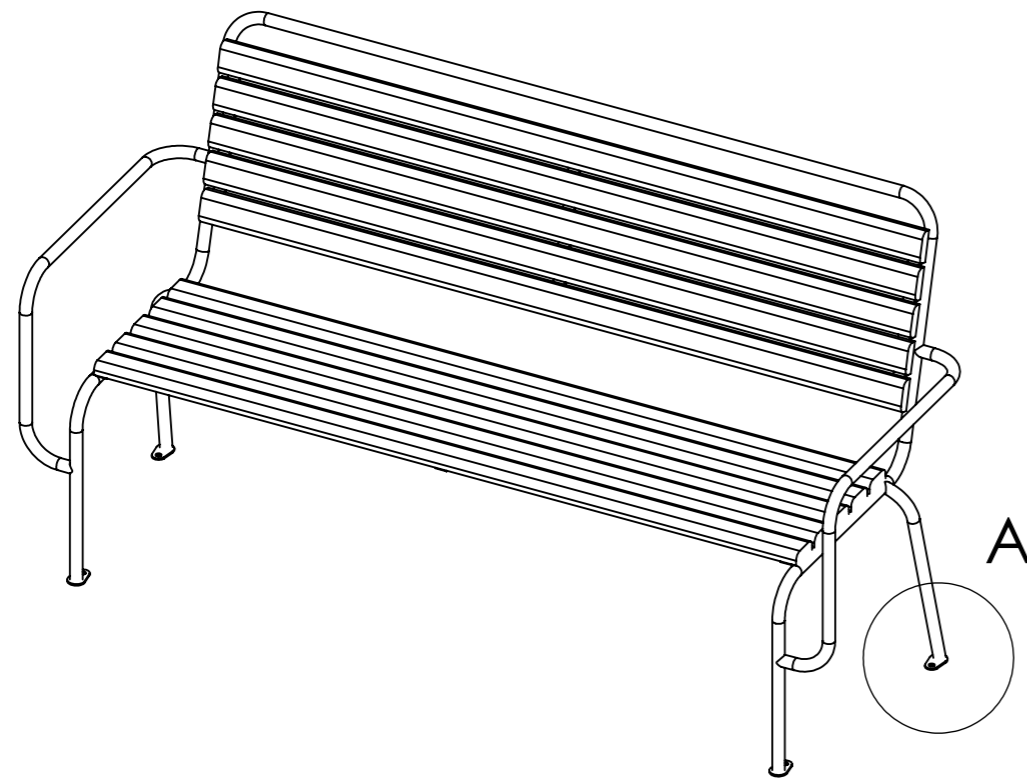
U20-84
Tuben Armchair



Tuben Furniture group

U20-70 Tuben Backed bench

Ritad av Joachim Henriksson
Uppdaterad 2024-09-11

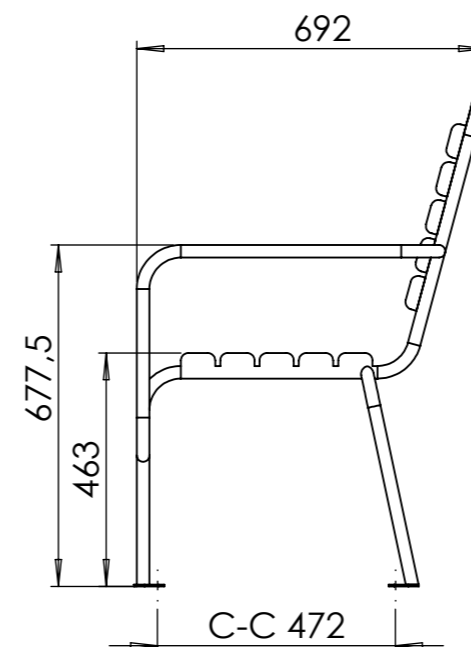
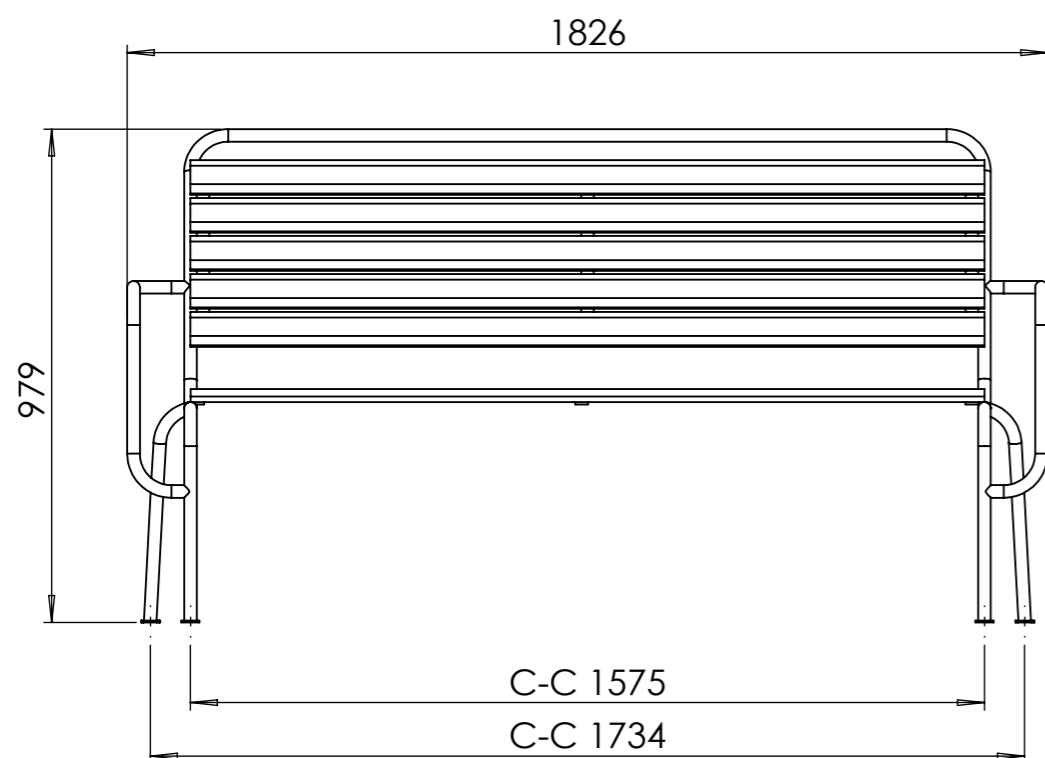


Dimensional specification

U20-70 Tuben Park bench

Tuben Park bench is delivered assembled with flanged feet for surface-mount.

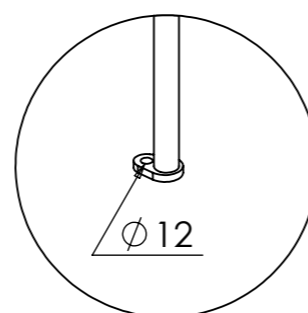
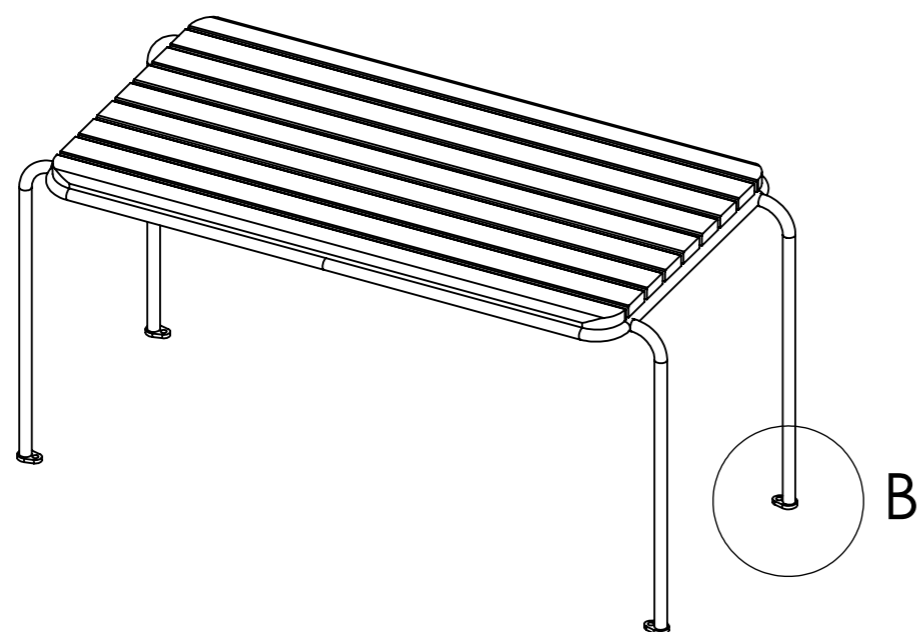
The hole has a diameter of 12 mm and is intended for anchoring with screw M10.



Tuben Furniture group

U20-71 Tuben Table

Ritad av Joachim Henriksson
Uppdaterad 2024-09-11

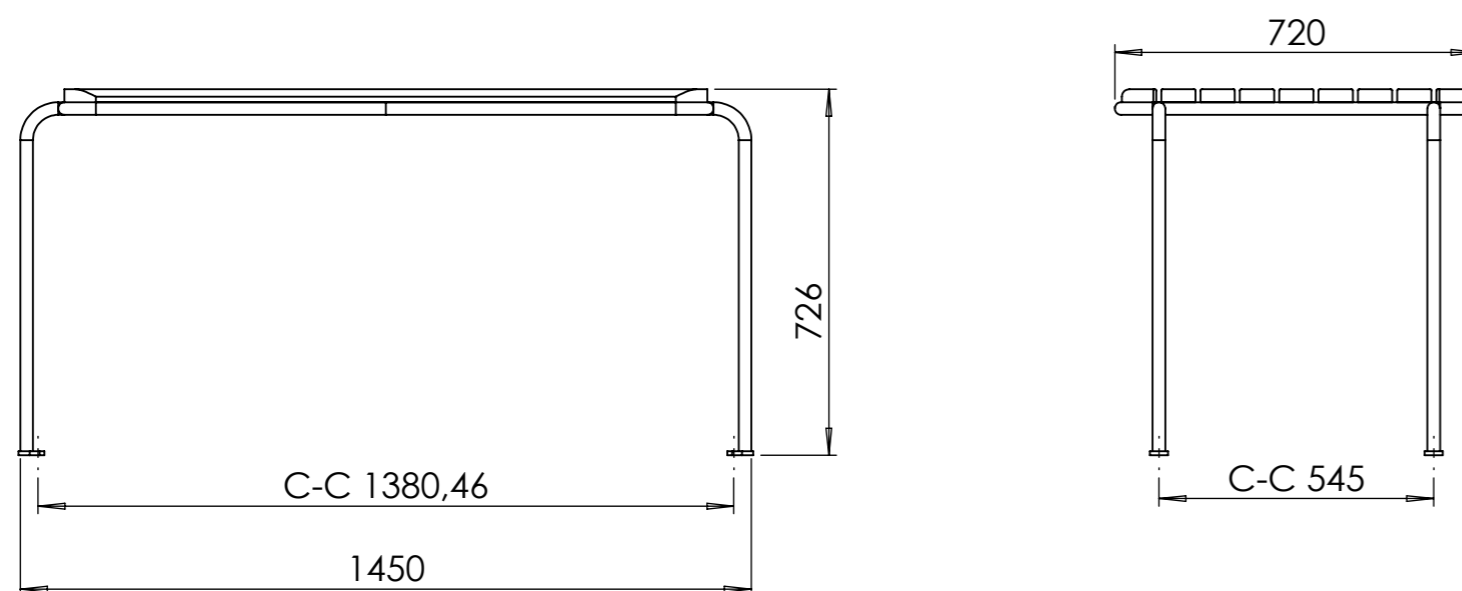


Dimensional specification

U20-71 Tuben Table

Tuben Table is delivered assembled with flanged feet for surface-mount.

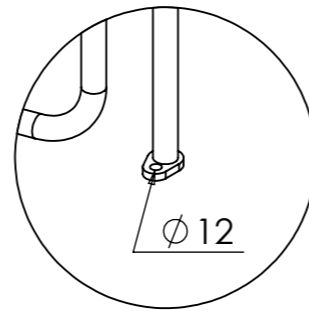
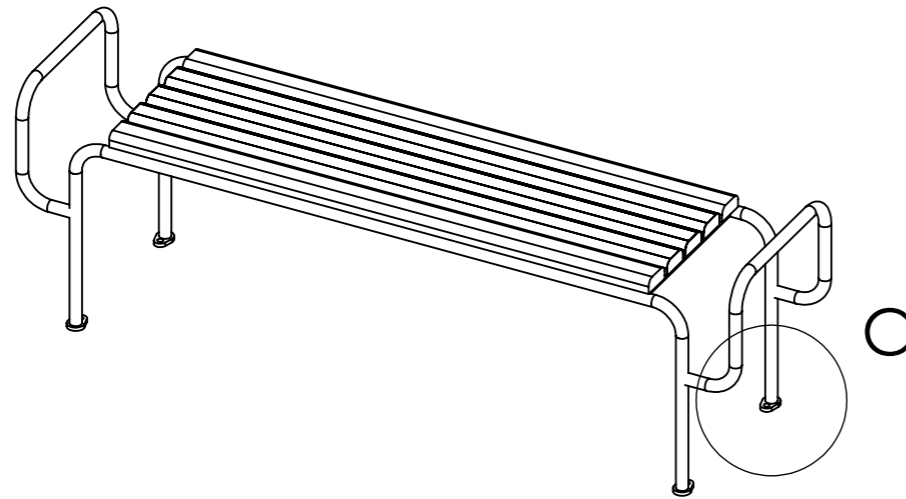
The hole has a diameter of 12 mm and is intended for anchoring with screw M10.



Tuben Furniture group

U20-72 Tuben Bench

Ritad av Joachim Henriksson
Uppdaterad 2024-09-11

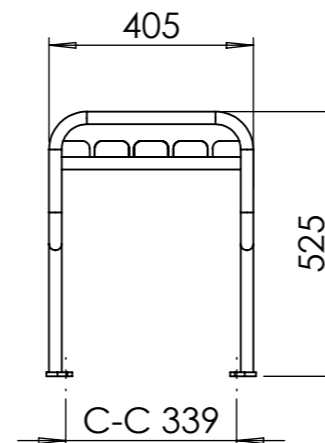
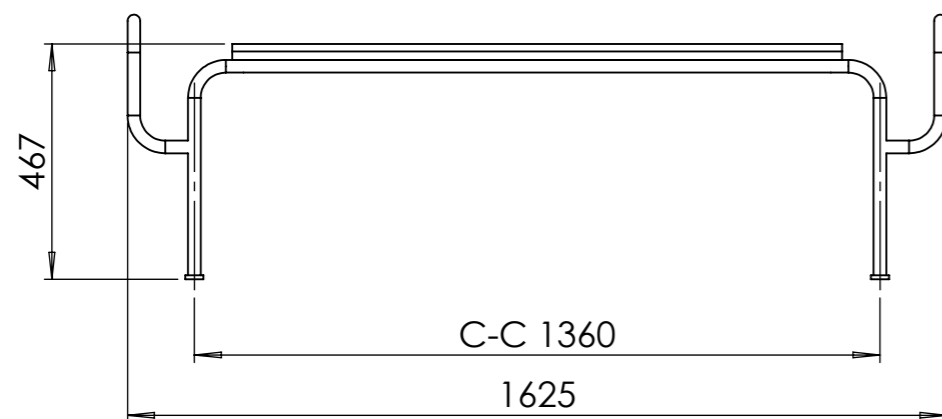


Dimensional specification

U20-72 Tuben Bench

Tuben Bench is delivered assembled with flanged feet for surface-mount.

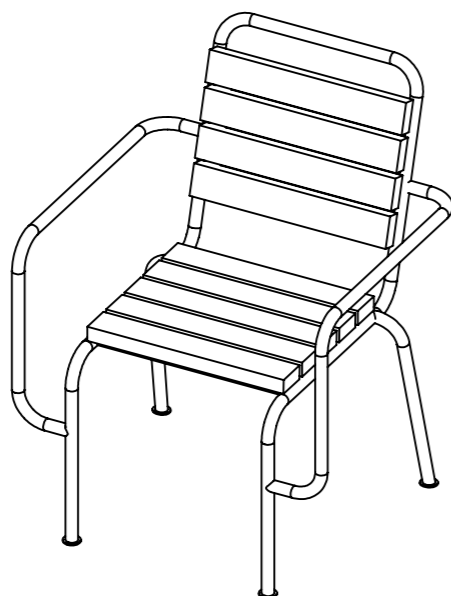
The hole has a diameter of 12 mm and is intended for anchoring with screw M10.



Tuben Furniture group

U20-84 Tuben Armchair

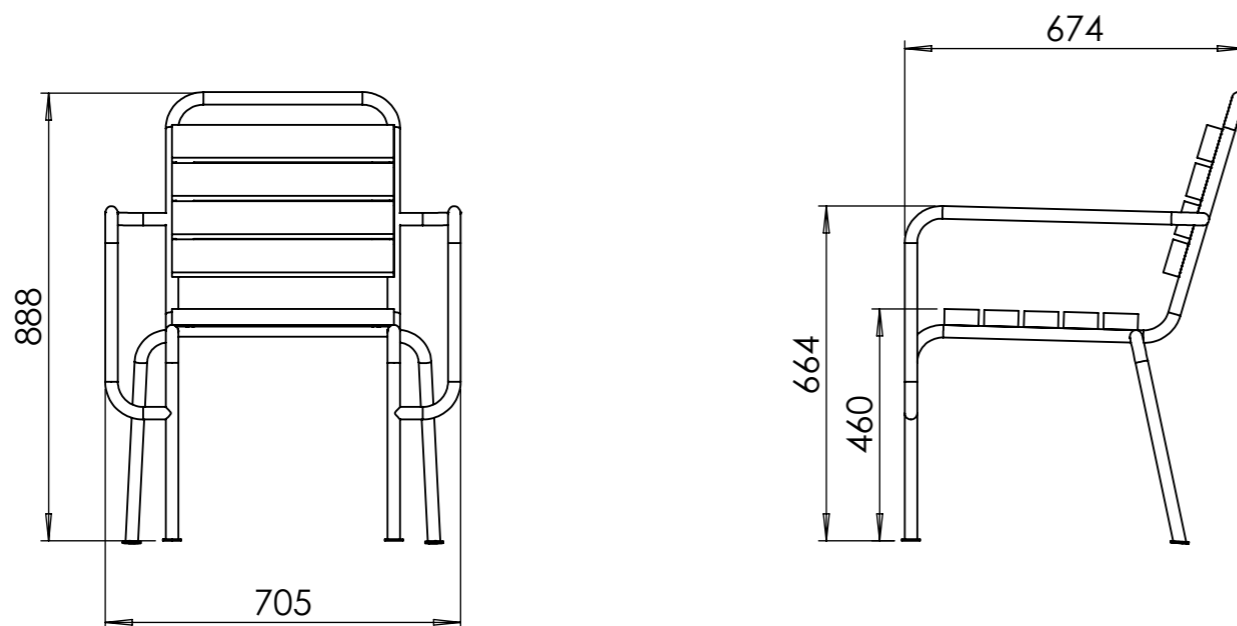
Ritad av Joachim Henriksson
Uppdaterad 2024-09-11



Dimensional specification

U20-84 Tuben Armchair

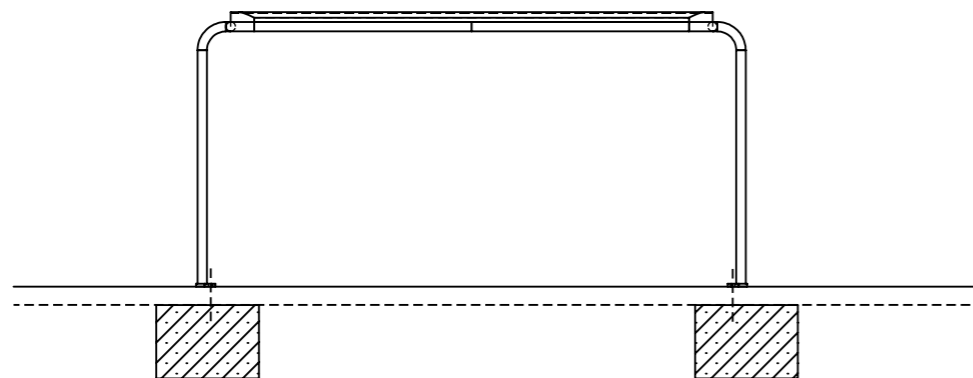
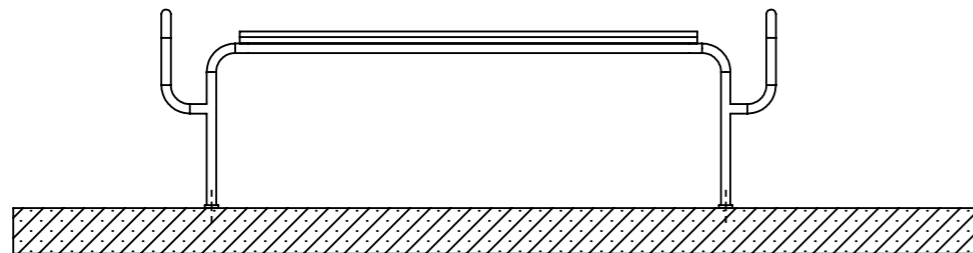
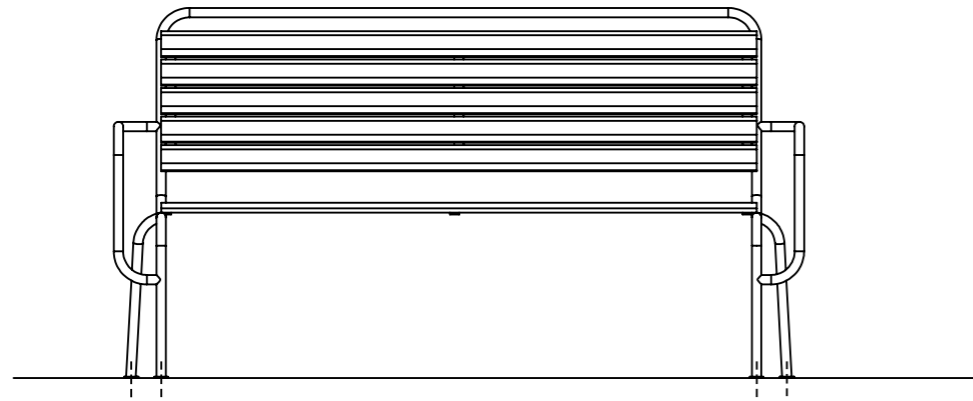
Tuben Armchair is delivered fully assembled and is freestanding.



Tuben Furniture group

Fixing above ground

Ritad av Joachim Henriksson
Uppdaterad 2024-09-11



Surface-mounted

The furniture in the series has foot plates with holes for assembly with M10 screws.

Installation on a wooden substrate

Mount with French wood screws to wooden substrate.

Installation on a concrete base

Drill the concrete for expanders or chemical anchors. Assembly with expander provides a removable attachment. Assembly with chemical anchors provide a permanent attachment.

Installation on cobblestones or paving slabs

Undercast the slabs with concrete. There must be no settling sand between the tiles and the concrete. Drill the plate for expander or chemical anchors.

Assembly with expander gives a demountable attachment. When installing outdoors, expander is preferred as this allows indoor storage of the sofa during the winter. Tuben is stackable and many sofas can therefore be stored in small space.

Assembly with chemical anchors gives a permanent attachment.

Installation on gravel or grass

Excavate the ground for a concrete foundation. Cast one foundations in concrete pipes or cardboard pipes. Top on the foundation must end with a radius. Drill the foundation for expander or chemical anchor. Mount the foot against the foundation.

Tuben Furniture group

Renovation, disassembly, recycling

Ritad av Joachim Henriksson
Uppdaterad 2024-09-11

Renovation, care and maintenance

Wood

Most products require regular supervision. Furniture must be wiped down so that mold and rot cannot take hold. Cracks in wood and damage to wood must be retouched immediately. Wood is a living material that is affected by climate change. In other words, it will move under the influence of rain and sun. Small cracks in the wood will appear over time. It is a big advantage if wooden products can be stored indoors during late autumn, winter and early spring.

Top-glazed pine

Products in top-glazed pine must be maintained regularly with alkyd paint. Maintenance interval approx. 1 time per year. Damage and cracks should touch-up immediately. Touch-up paint is available in paint shops.

Steel

Damage to steel is touch-up painted as soon as possible so that the rust does not spread.

Electro-galvanized and powder-coated steel

Electro-galvanized, yellow-chromated and polyester powder-coated products should be touch-up painted with alkyd paint in case of damage so that rust does not occur.

Disassembly and recycling

When disassembling, remove all products from ground attachment. Then all painted wood, both seat and back, is dismantled from the steel frame, by loosening all wood screws. Recycle the material by sorting wood separately and steel separately, with screws, bolts and washers.