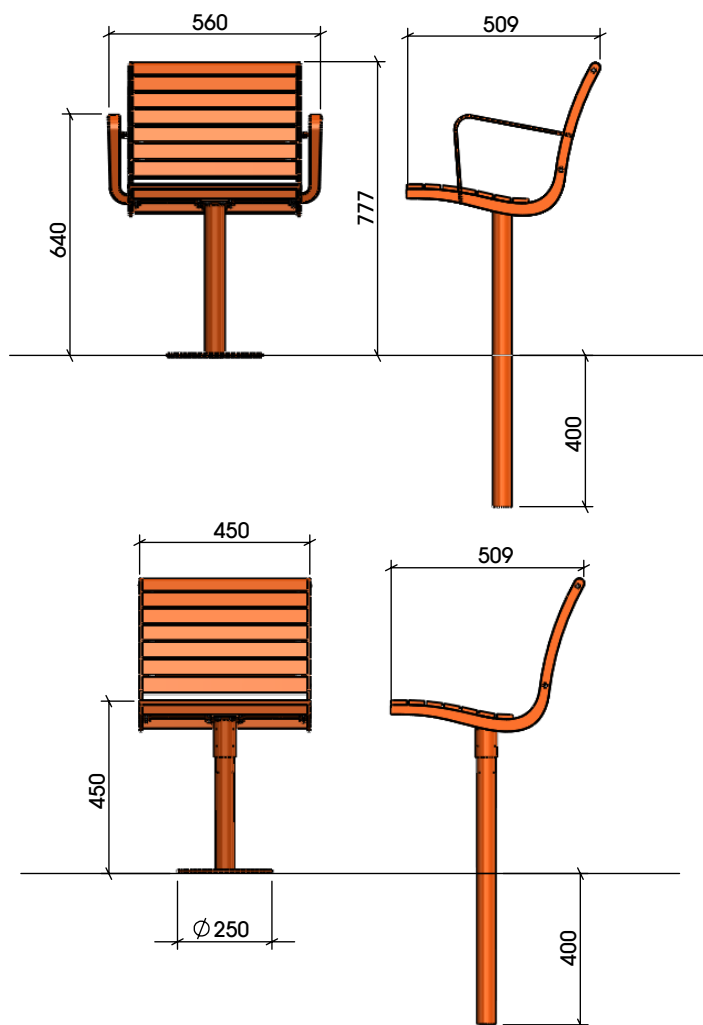


**MONTERINGSBESKRIVNING**
**nola**

Huvudkontor: Nola Industrier AB Box 17701 Repslagargatan 15b  
118 93 Stockholm T: 08 702 1960 F: 08 702 1962 headoffice@nola.se  
Kundtjänst/showroom/export/press: Skeppsbron 3 211 20 Malmö  
T: 040 171 190 Orderfax: 040 127 545 order@nola.se

www.nola.se


**ARMCHAIR ASSEMBLY INSTRUCTIONS/**

Turn the armchair upside down, being careful to protect the wooden parts during installation. Using a screwdriver with an H6 bit, secure the supporting post to the underside of the seat with the screws and washers included (MK6S M10x16 + FBB M10).

**Installation with M10 bolts ('N' version):**

The base plate has been made with holes to secure it to the surfaces with M10 bolts.

**Installation on a wooden surface ('N' version):** Use French-style woodscrews to attach the base plate to the wood.

**Installation on cobbles or paving stones ('N' version):** Anchor the cobbles or paving stones in a cast concrete base without allowing any levelling sand to come between the stones and the concrete. Drill holes in the surface sized to accommodate expander bolts. A chemical anchor may also be used.

**Installation on concrete ('N' version):** Attach with expander bolts or a chemical anchor as instructed above. Attaching with expander bolts makes it possible to remove and reattach the armchair as required.

**Ground-mounted installation ('M' version):**

Prepare the ground with a hole circa 40 cm in diameter to a frost-free depth. Fill the hole with frost-resistant material so that the hole is not deeper than 50 cm. Turn the armchair upright and position the supporting post in the hole. Ensure that the armchair seat is level in position and is level on all sides. The distance between the seat's front edge and the ground beneath should be 45 cm. The supporting post should be cast in the concrete, leaving a gap of 5 cm between the top of the concrete and the ground surface to be filled in with surface material.

Ö19-20  
Ö19-22

Parco armchair  
Parco swivel armchair

**Leveransspecifikation:**

1 seat  
1 support post (with fixed support post or swivel  
4 screws and washers for attaching the seat and  
backrest to the supporting post.

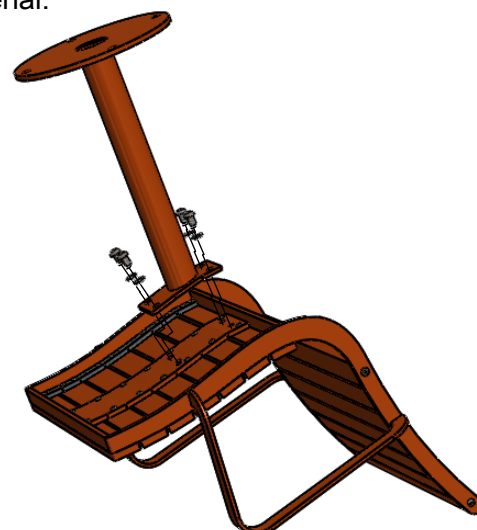
Add a letter after the product code to specify the version required, for example

Ö19-20A:

A = Armrests (Ö19-20 and Ö19-22 versions only)

M = Ground-mounted armchair with extended support post for casting in concrete 40 cm beneath the surface

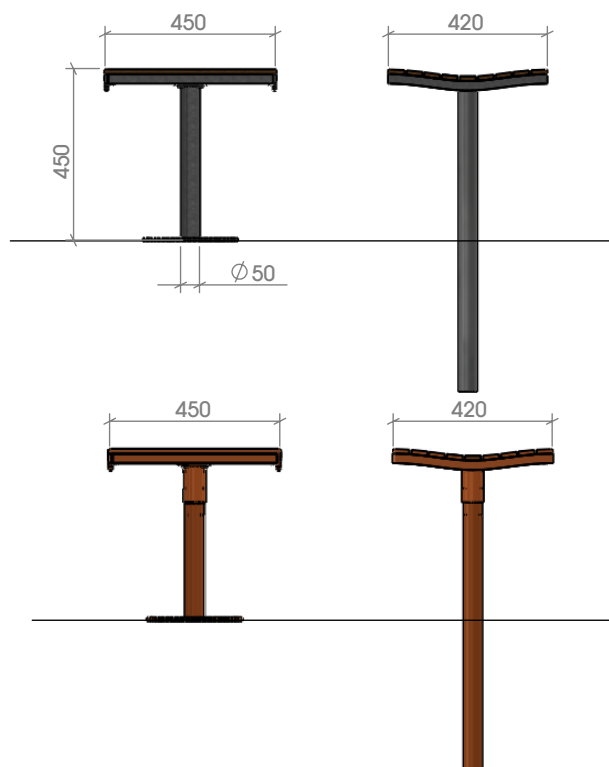
N = Attachable version with base edge extended for bolting into the surface



**MONTERINGSBESKRIVNING**


Huvudkontor: Nola Industrier AB Box 17701 Repslagargatan 15b  
118 93 Stockholm T: 08 702 1960 F: 08 702 1962 headoffice@nola.se  
Kundtjänst/showroom/export/press: Skeppsbron 3 211 20 Malmö  
T: 040 171 190 Orderfax: 040 127 545 order@nola.se

www.nola.se


**FOOTSTOOL ASSEMBLY INSTRUCTIONS**

Turn the footstool upside down, being careful to protect the wooden parts during installation. Using a screwdriver with an H6 bit, secure the supporting post to the underside of the seat with the screws and washers included (MK6S M10x16 + FBB M10).

**Installation with M10 bolts ('N' version):**

The base plate has been made with holes to secure it to the surfaces with M10 bolts.

Installation on a wooden surface ('N' version): Use French-style woodscrews to attach the base plate to the wood.

Installation on a wooden surface ('N' version): Use French-style woodscrews to attach the base plate to the wood.

Installation on cobbles or paving stones ('N' version): Anchor the cobbles or paving stones in a cast concrete base without allowing any levelling sand to come between the stones and the concrete. Drill holes in the surface sized to accommodate expander bolts. A chemical anchor may also be used.

Installation on concrete ('N' version): Attach with expander bolts or a chemical anchor as instructed above. Attaching with expander bolts makes it possible to remove and reattach the footstool as required.

Ground-mounted installation ('M' version): Prepare the ground with a hole circa 40 cm in diameter to a frost-free depth. Fill the hole with frost-resistant material so that the hole is not deeper than 50 cm. Turn the footstool upright and position the supporting post in the hole. Ensure that the armchair seat is level in position as well as level on all sides. The distance between the seat's front edge and the ground beneath should be 45 cm. The supporting post should be cast in the concrete, leaving a gap of 5 cm between the top of the concrete and the ground surface to be filled in with surface material.

**Ö19-21** Parco footstool  
**Ö19-22** Parco swivel footstool

**Delivery specification:**

1 seat,  
1 support post (with fixed support post or swivel),  
4 screws and washers for attaching the seat to the supporting post.

Add a letter after the product code to specify the version required, for example

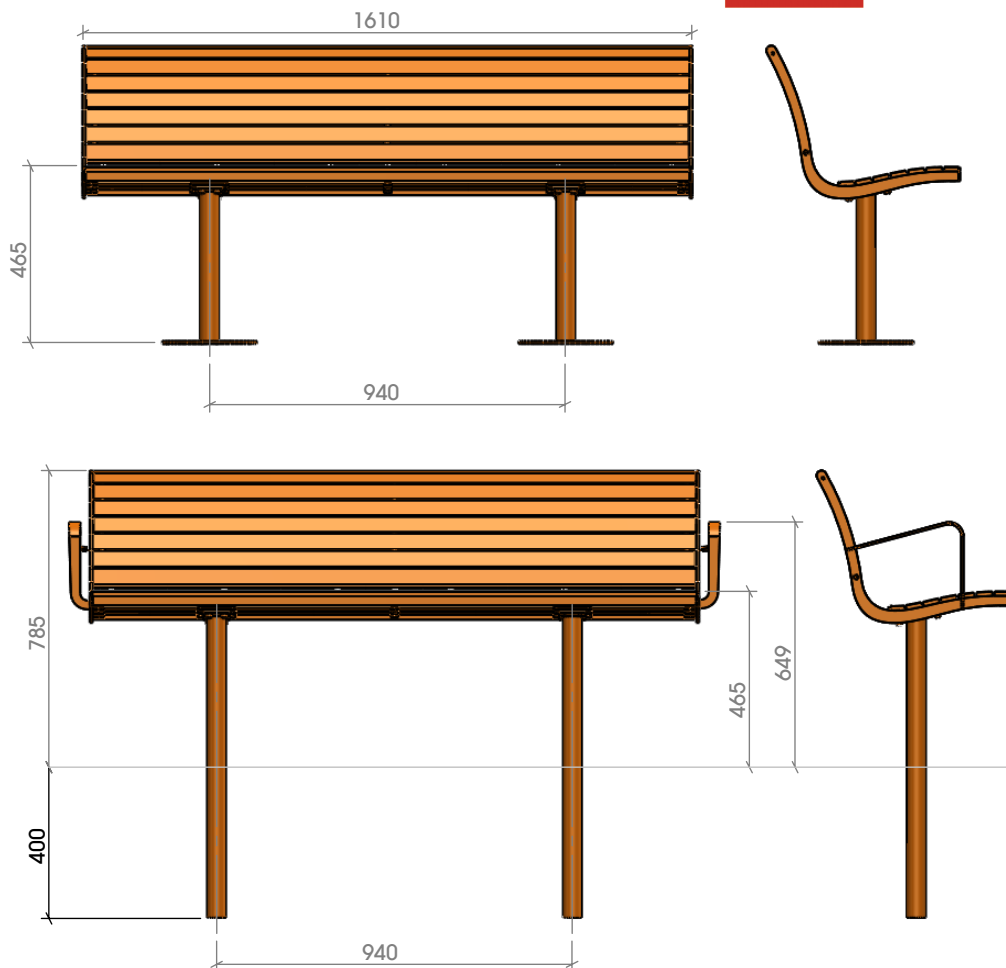
Ö19-20A:

M = Ground-mounted with extended support post for casting in concrete 40 cm beneath the surface

N = Attachable version with base edge extended for bolting into the surface

**MONTERINGSBESKRIVNING**
**nola**

Huvudkontor: Nola Industrier AB Box 17701 Repslagargatan 15b  
118 93 Stockholm T: 08 702 1960 F: 08 702 1962 headoffice@nola.se  
Kundtjänst/showroom/export/press: Skeppsbron 3 211 20 Malmö  
T: 040 171 190 Orderfax: 040 127 545 order@nola.se

[www.nola.se](http://www.nola.se)

**BACKED BENCH ASSEMBLY INSTRUCTIONS**

Turn the bench upside down, being careful to protect the wooden parts during installation. Using a screwdriver with an H6 bit, secure the supporting post to the underside of the seat with the screws and washers included (MK6S M10 x 16 + FBB M10).

Installation with M10 bolts ('N' version):

The base plate has been made with holes to secure it to the surfaces with M10 bolts.

Installation on a wooden surface ('N' version): Use French-style woodscrews to attach the base plate to the wood.

Installation on cobbles or paving stones ('N' version): Anchor the cobbles or paving stones in a cast concrete base without allowing any levelling sand to come between the stones and the concrete. Drill holes in the surface sized to accommodate expander bolts. A chemical anchor may also be used.

Installation on concrete ('N' version): Attach with expander bolts or a chemical anchor as instructed above. Attaching with expander bolts makes it possible to remove and reattach the bench as required.

Ground-mounted installation ('M' version): Prepare the ground with holes circa 40 cm in diameter to a frost-free depth. The C-C distance between the holes should be 94 cm. Fill the hole with a frost-resistant material so that the depth of hole becomes 50 cm. Turn the bench upright and position the supporting posts in the holes. Ensure that the seat is level in position as well as level on all sides. The distance between the seat's front edge and the ground beneath should be 46.5 cm. The supporting posts should be cast in concrete, leaving a gap of 5 cm between the top of the concrete and the ground surface to be filled in with the surface material.

**Ö19-26** Backed Bench

**Delivery Specification:**

1 seat and backrest (with or without armrests),  
2 leg supports,  
8 screws and washers for attaching the seat and backrest to the supporting posts.

Add a letter after the product code to specify the version required, for example  
Ö19-20A:

A = Armrests (Ö19-20 and Ö19-22 versions only)

M = Ground-mounted armchair with extended support posts for casting in concrete 40 cm beneath the surface

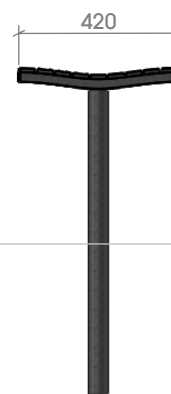
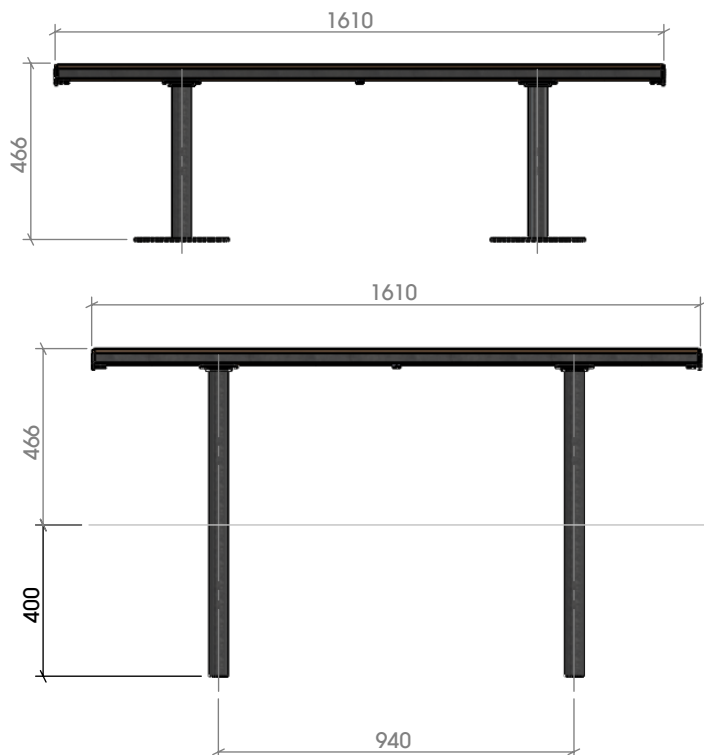
N = Attachable version with base edge extended for bolting into the surface

## MONTERINGSBESKRIVNING

nola

Huvudkontor: Nola Industrier AB Box 17701 Repslagargatan 15b  
118 93 Stockholm T: 08 702 1960 F: 08 702 1962 headoffice@nola.se  
Kundtjänst/showroom/export/press: Skeppsbron 3 211 20 Malmö  
T: 040 171 190 Orderfax: 040 127 545 order@nola.se

www.nola.se



**BACKLESS BENCH  
ASSEMBLY INSTRUCTIONS**  
Turn the bench upside down, being careful to protect the wooden parts during installation. Using a screwdriver with an H6 bit, secure the supporting post to the underside of the seat with the screws and washers included (MK6S M10 x 16 + FBB M10).

Installation with M10 bolts ('N' version):  
The base plate has been made with holes to secure it to the surfaces with M10 bolts.

Installation on a wooden surface ('N' version): Use French-style woodscrews to attach the base plate to the wood.

Installation on cobbles or paving stones ('N' version): Anchor the cobbles or paving stones in a cast concrete base without allowing any levelling sand to come between the stones and the concrete. Drill holes in the surface sized to accommodate expander bolts. A chemical anchor may also be used.

Installation on concrete ('N' version): Attach with expander bolts or a chemical anchor as instructed above. Attaching with expander bolts makes it possible to remove and reattach the bench as required.

Ground-mounted installation ('M' version): Prepare the ground with holes circa 40 cm in diameter to a frost-free depth. The C-C\_ distance between the holes should be 94 cm. Fill the hole with frost-resistant material so that the hole is not deeper than 50 cm. Turn the bench upright and position the supporting posts in the hole. Ensure that the armchair seat is level in position as well as level on all sides. The distance between the seat's front edge and the ground beneath should be 45 cm..

The supporting post should be cast in the concrete, leaving a gap of 5 cm between the top of the concrete and the ground surface to be filled in with surface material.

### Ö19-27 Parco bench

#### Delivery Specification:

1 seat,  
2 leg supports (with fixed support post or swivel),  
8 screws and washers for attaching the seat and backrest to the supporting posts.

Add a letter after the product code to specify the version required, for example

Ö19-20A:

A = Armrests (Ö19-20 and Ö19-22 versions only)

M = Ground-mounted armchair with extended support posts for casting in concrete 40 cm beneath the surface

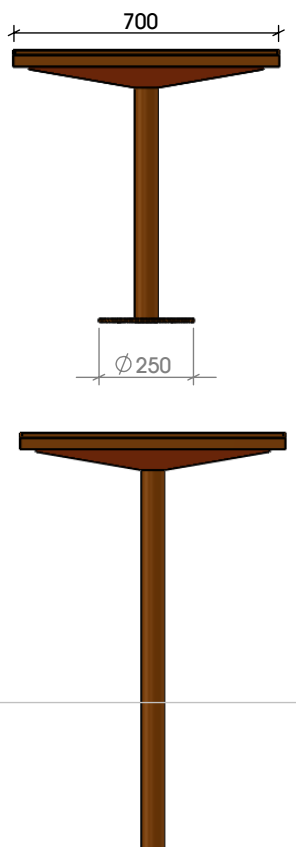
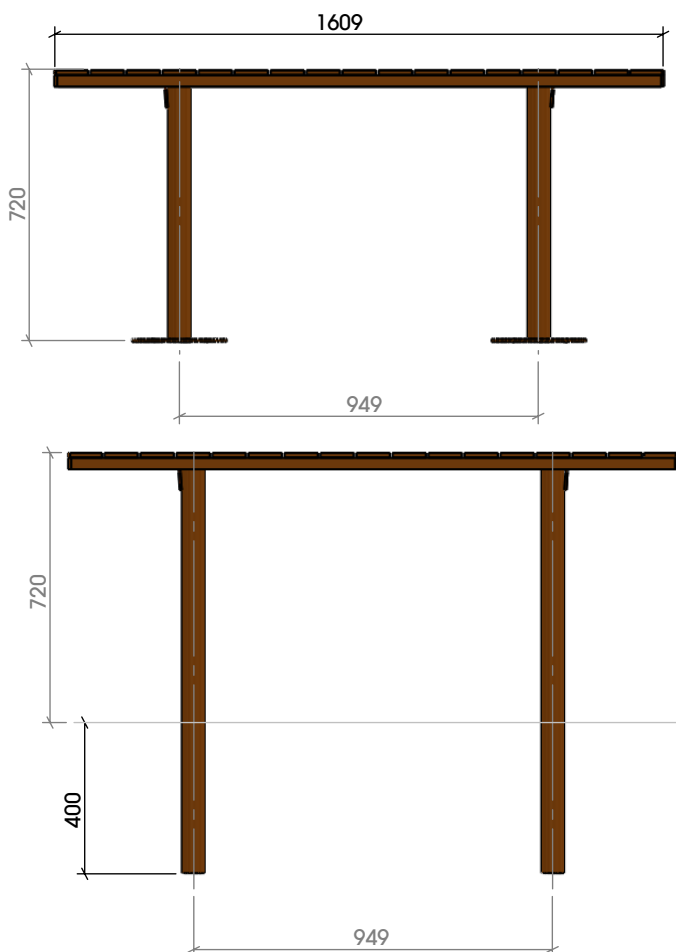
N = Attachable version with base edge extended for bolting into the surface

## MONTERINGSBESKRIVNING

nola

Huvudkontor: Nola Industrier AB Box 17701 Repslagargatan 15b  
118 93 Stockholm T: 08 702 1960 F: 08 702 1962 headoffice@nola.se  
Kundtjänst/showroom/export/press: Skeppsbron 3 211 20 Malmö  
T: 040 171 190 Orderfax: 040 127 545 order@nola.se

www.nola.se



### Ö19-28

### Parco rectangular table

#### Delivery Specification:

1 tabletop,  
2 leg supports (with fixed support posts or swivel),  
8 screws and washers for attaching the seat to the supporting posts.

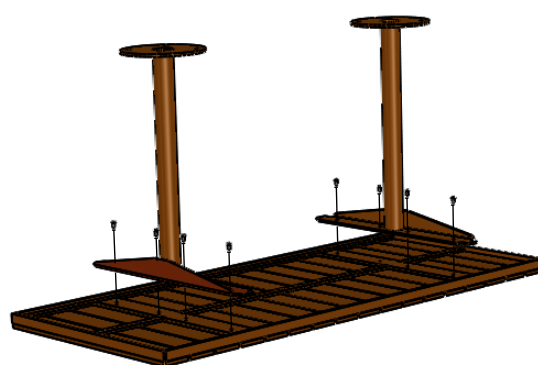
#### Ö19-28 Parco rectangular table

Add a letter after the product code to specify the version required, for example

#### Ö19-20A:

M = Ground-mounted bench with extended support posts for casting in concrete 40 cm beneath the surface

N = Attachable version with base edge extended for bolting into the surface



**MONTERINGSBESKRIVNING**



Huvudkontor: Nola Industrier AB Box 17701 Repslagargatan 15b  
118 93 Stockholm T: 08 702 1960 F: 08 702 1962 headoffice@nola.se  
Kundtjänst/showroom/export/press: Skeppsbron 3 211 20 Malmö  
T: 040 171 190 Orderfax: 040 127 545 order@nola.se

www.nola.se

**TABLE ASSEMBLY INSTRUCTIONS**

The table is delivered in two parts. The tabletop secures to the supporting posts with the screws and washers included (K6S M10 x 20).

**Installation with M10 bolts ('N' version):**

The base plate has been made with holes to secure it to the surfaces with M10 bolts.

Installation on a wooden surface ('N' version): Use French-style woodscrews to attach the base plate to the wood.

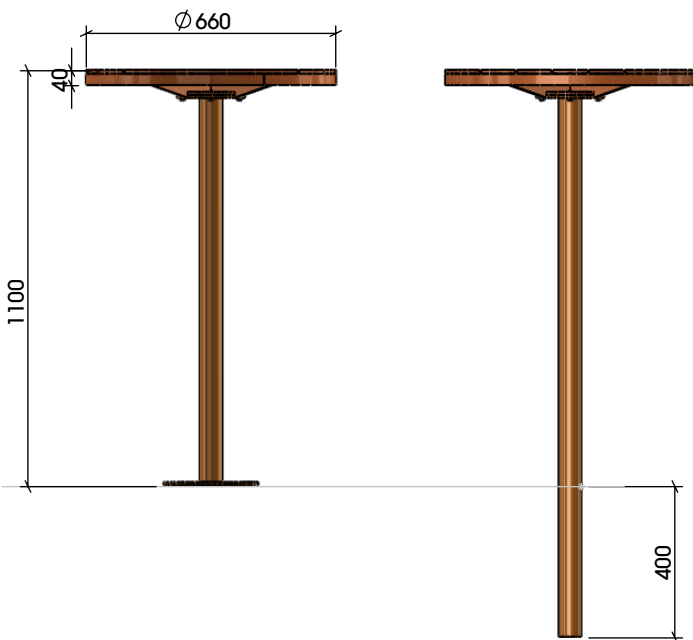
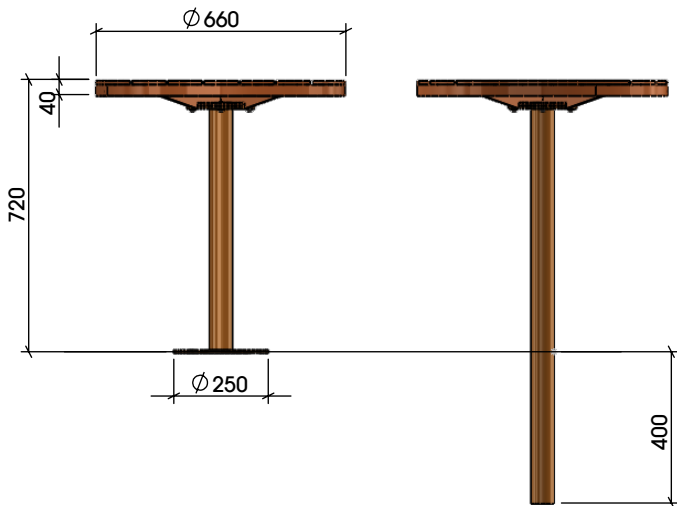
Installation on cobbles or paving stones ('N' version): Anchor the cobbles or paving stones in a cast concrete base without allowing any levelling sand to come between the stones and the concrete. Drill holes in the surface sized to accommodate expander bolts. A chemical anchor may also be used.

Installation on concrete ('N' version): Attach with expander bolts or a chemical anchor as instructed above. Attaching with expander bolts makes it possible to remove and reattach the table as required.

**Ground-mounted installation ('M' version):**

Prepare the ground with a hole circa 40 cm in diameter to a frost-free depth. Fill the hole with frost-resistant material so that the hole is not deeper than 50 cm. Turn the table upright and position the supporting post in the hole. Ensure that the tabletop is level in position as well as level on all sides. The tabletop should measure exactly 72 cm above the ground surface. The supporting post should be cast in the concrete, leaving a gap of 5 cm between the top of the concrete and the ground surface to be filled in with surface material.

For installation in combination with benches and/or armchairs, the recommended C-C distance between the table's supporting post and the benches and/or armchairs should be a minimum of 68 cm for the small table and 95 cm for the large version. If installing the swivel armchair, maintain a minimum C-C distance of 70 cm to ensure that it doesn't strike the tabletop as it rotates.

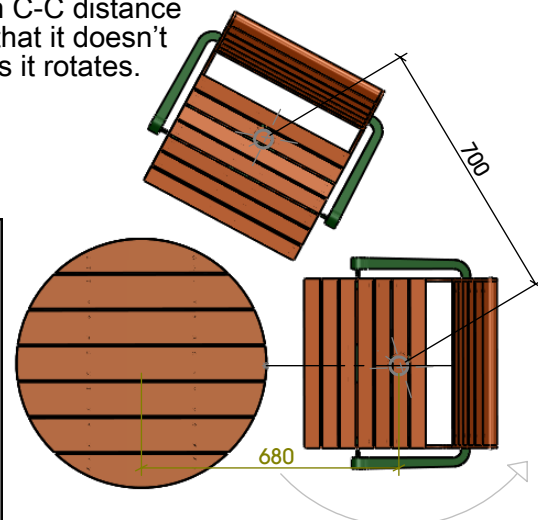


**Ö19-24/66** Parco table with a diameter of 66 cm  
**Ö19-22** Parco bar table with a diameter of 66 cm

Add a letter after the product code to specify the version required.

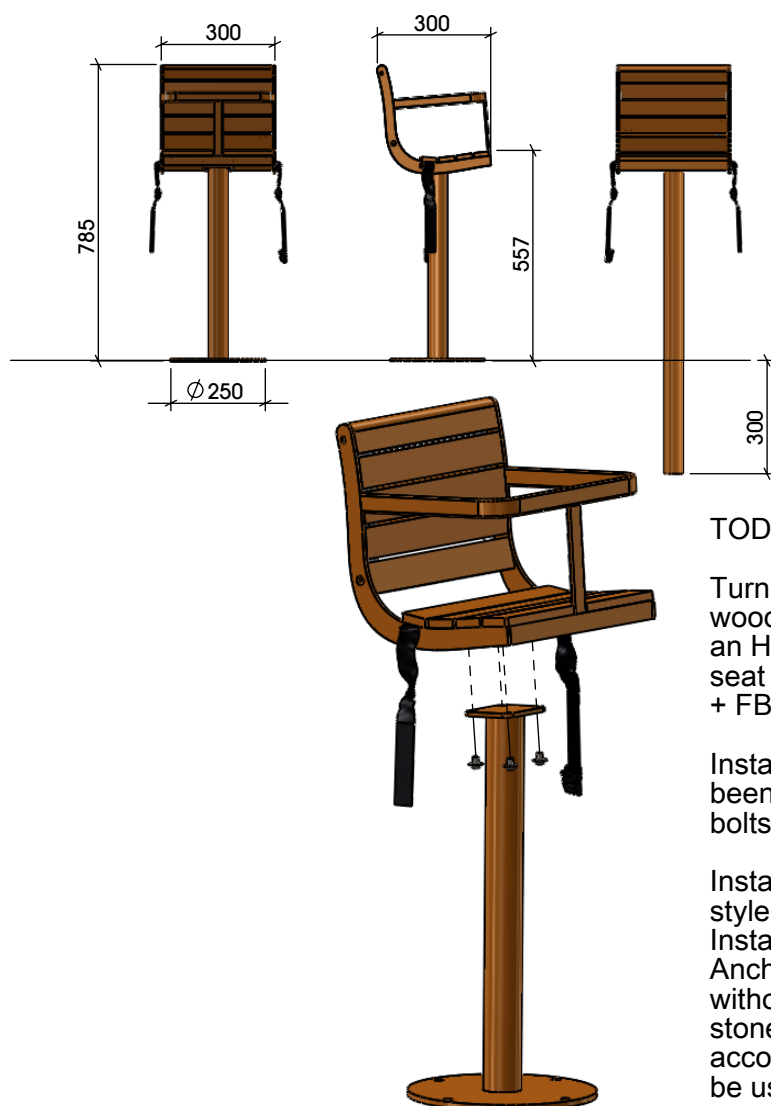
M = Ground-mounted table with extended support post for casting in concrete 40 cm beneath the surface

N = Attachable version with base edge extended for bolting into the surface



**MONTERINGSBESKRIVNING**
**nola**

Huvudkontor: Nola Industrier AB Box 17701 Repslagargatan 15b  
118 93 Stockholm T: 08 702 1960 F: 08 702 1962 headoffice@nola.se  
Kundtjänst/showroom/export/press: Skeppsbron 3 211 20 Malmö  
T: 040 171 190 Orderfax: 040 127 545 order@nola.se

[www.nola.se](http://www.nola.se)

**TODLER CHAIR ASSEMBLY INSTRUCTIONS**

Turn the chair upside down, being careful to protect the wooden parts during installation. Using a screwdriver with an H6 bit, secure the supporting post to the underside of the seat with the screws and washers included (MK6S M8 x 12 + FBB M10).

Installation with M10 bolts ('N' version): The base plate has been made with holes to secure it to the surfaces with M10 bolts.

Installation on a wooden surface ('N' version): Use French-style woodscrews to attach the base plate to the wood.  
Installation on cobbles or paving stones ('N' version): Anchor the cobbles or paving stones in a cast concrete base without allowing any levelling sand to come between the stones and the concrete. Drill holes in the surface sized to accommodate expander bolts. A chemical anchor may also be used.

Installation on concrete ('N' version): Attach with expander bolts or a chemical anchor as instructed above. Attaching with expander bolts makes it possible to remove and reattach the chair as required.

Ground-mounted installation ('M' version): Prepare the ground with a hole circa 40 cm in diameter to a frost-free depth. Fill the hole with frost-resistant material so that the hole is not deeper than 50 cm. Turn the chair upright and position the supporting post in the hole. Ensure that the chair seat is level in position as well as level on all sides. The distance between the seat's front edge and the ground beneath should be 55.7 cm. The supporting post should be cast in the concrete, leaving a gap of 5 cm between the top of the concrete and the ground surface to be filled in with surface material.

**Ö19-29**

Parco toddler chair

**Delivery Specification:**

1 seat,  
1 support post (with fixed support post or swivel),  
4 screws and washers for attaching the seat and backrest to the supporting post.

Add a letter after the product code to specify the version required, for example

**Ö19-20A:**

M = Ground-mounted armchair with extended support post for casting in concrete 40 cm beneath the surface

N = Attachable version with base edge extended for bolting onto the surface