

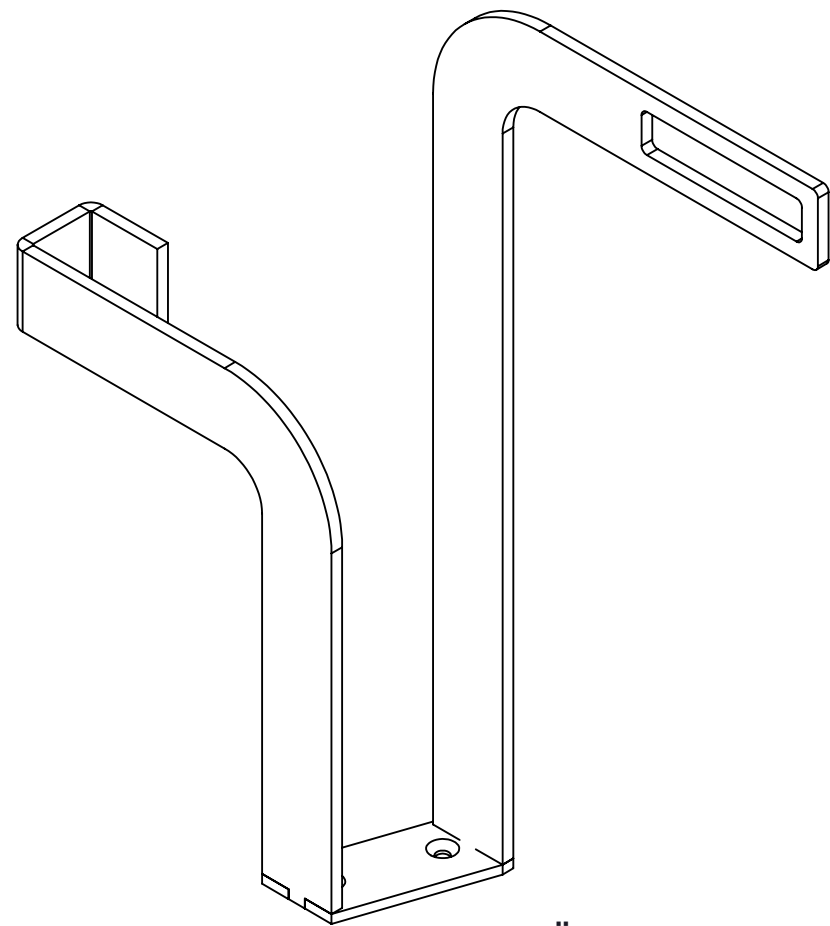
List of content

Ritad av Ulf H
Ritad datum 2023-09-04
Translated 2024-10-07

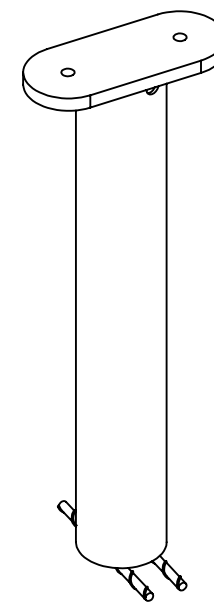
Overview Ekeberg bollard + fitting.....	s.2
Furnishing.....	s.3
Bolting on hardened surface.....	s.4
Casting with ground fitting.....	s.5

Overview

Ritad av Ulf H
Ritad datum 2023-09-04
Translated 2024-10-07

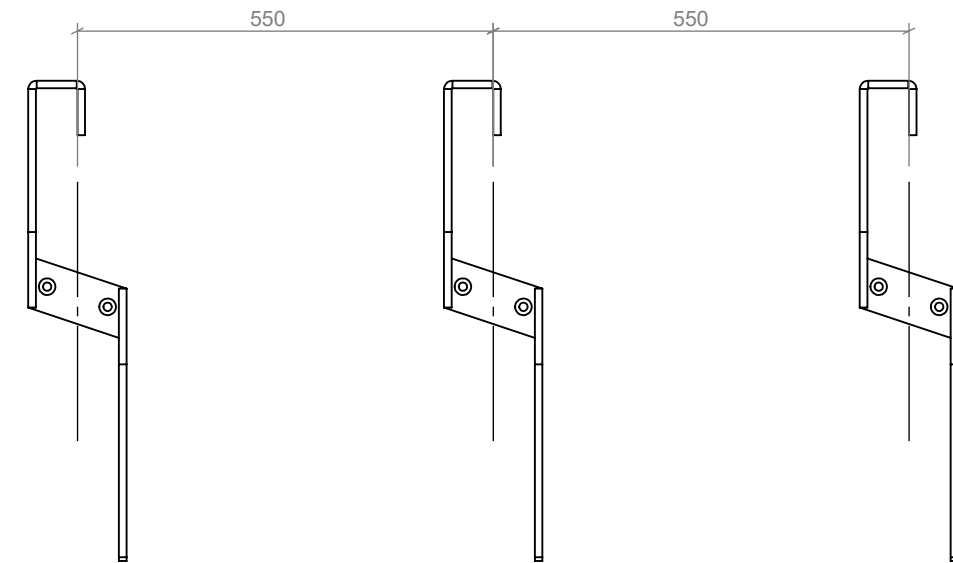
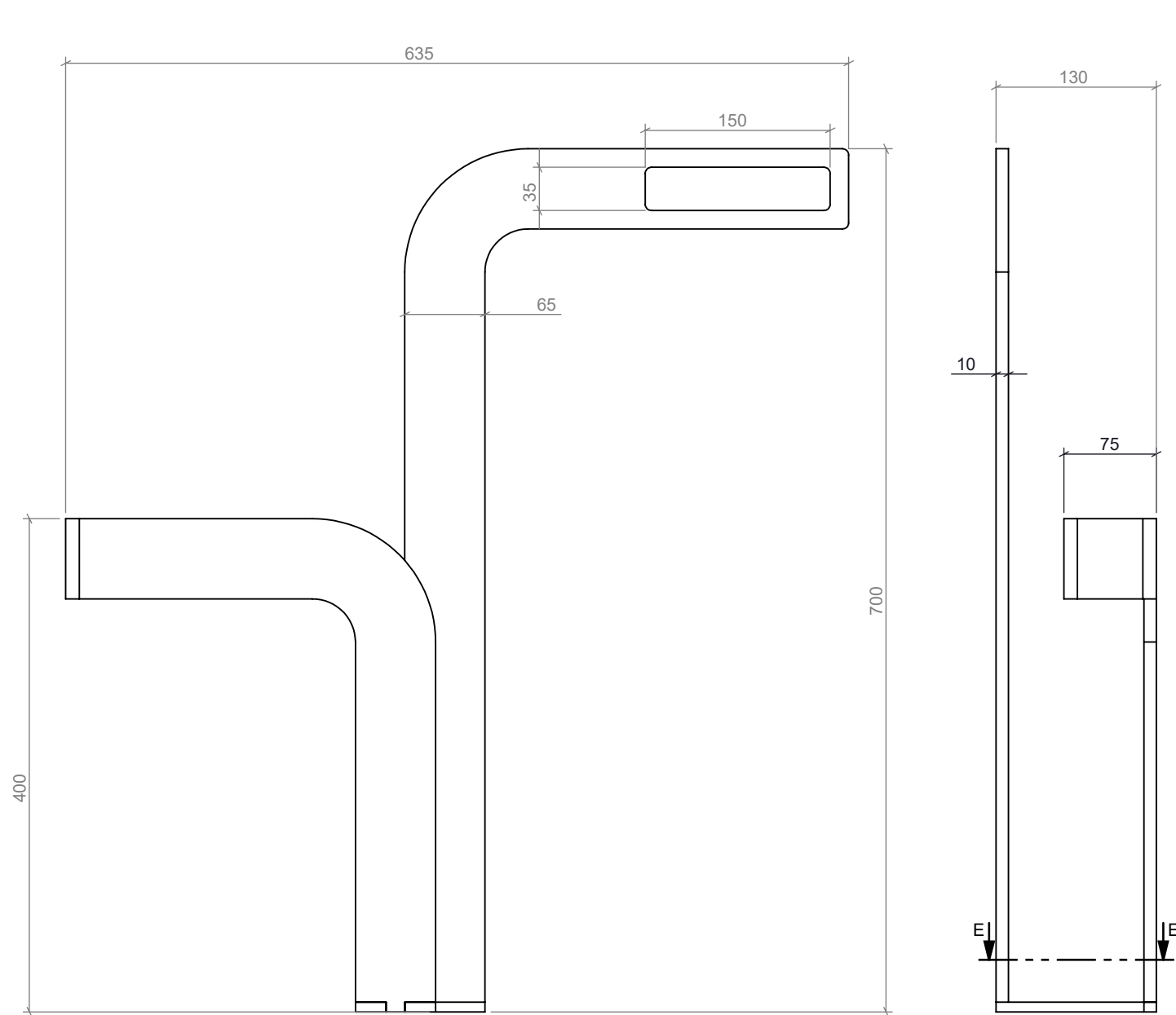


Ö04-25 Ekeberg bollard



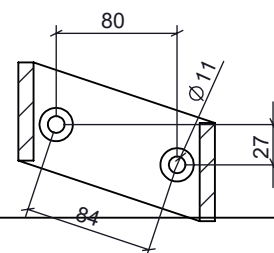
Ö04-25MU Ground fitting

Furnishing

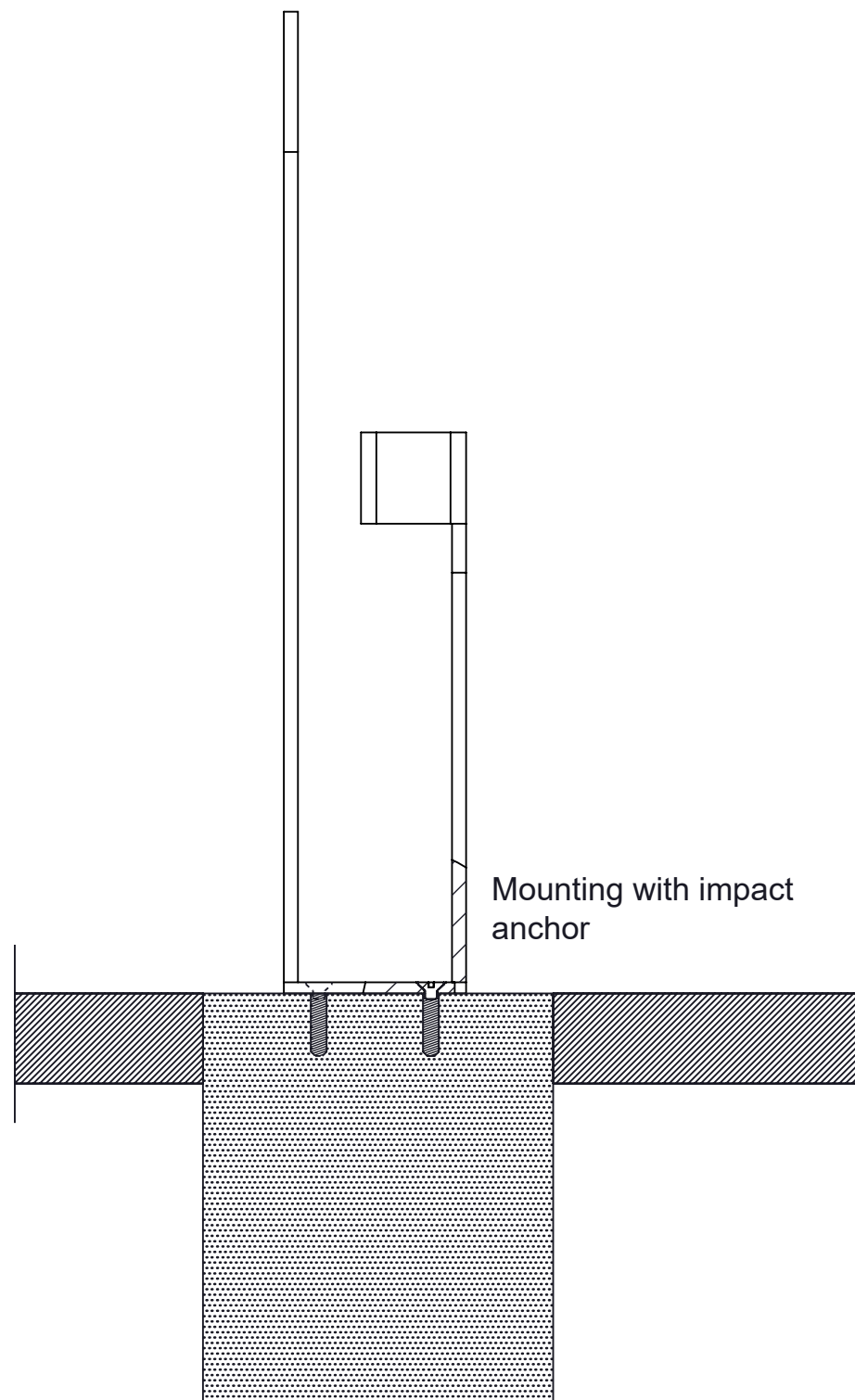


Recommended C-C measurement between the bike poles is min. 550 mm.

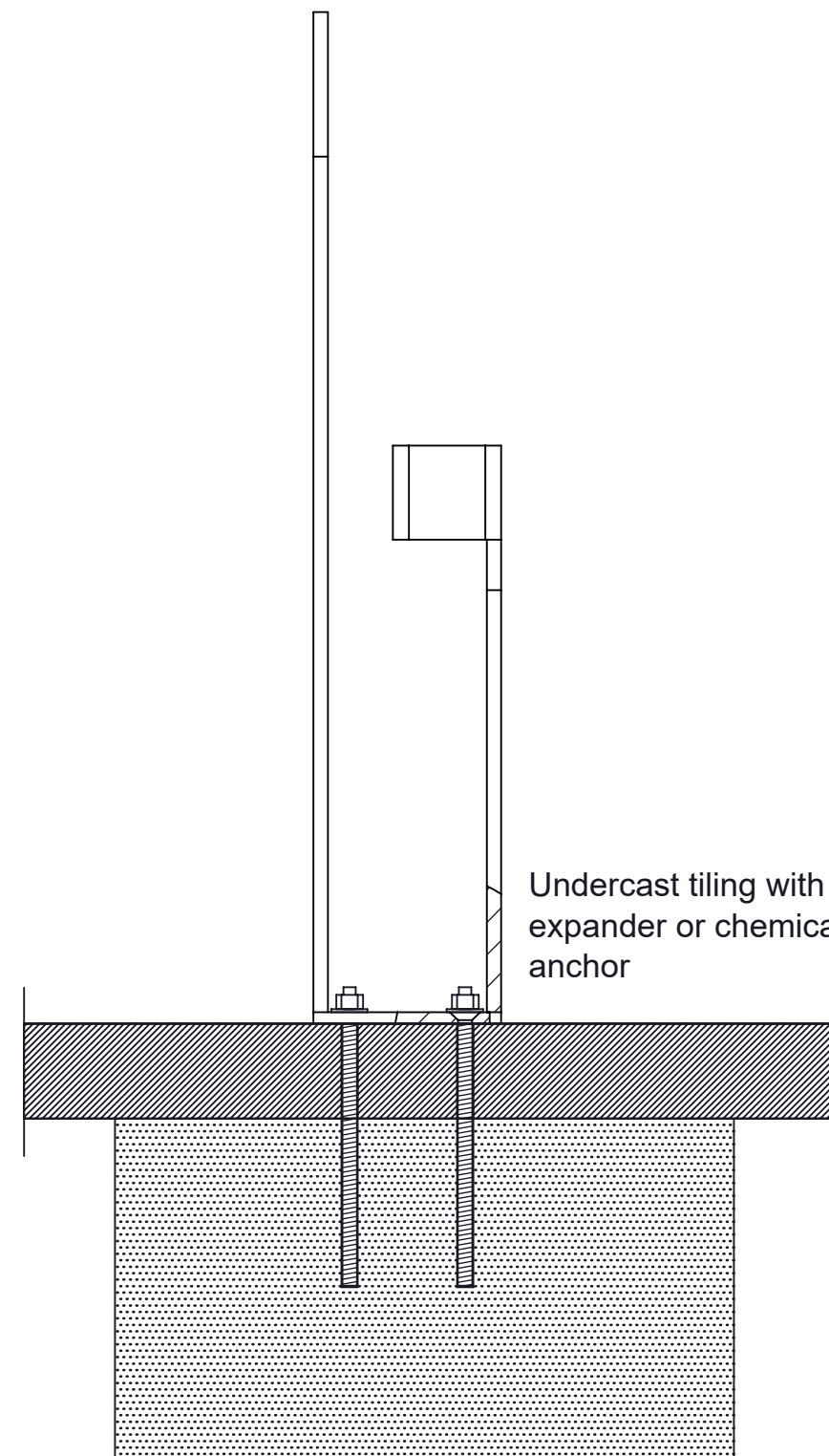
The bicycle bollard is mounted against the surface with countersunk screws M10



Attaching on solid ground



Mounting with impact anchor



Undercast tiling with expander or chemical anchor

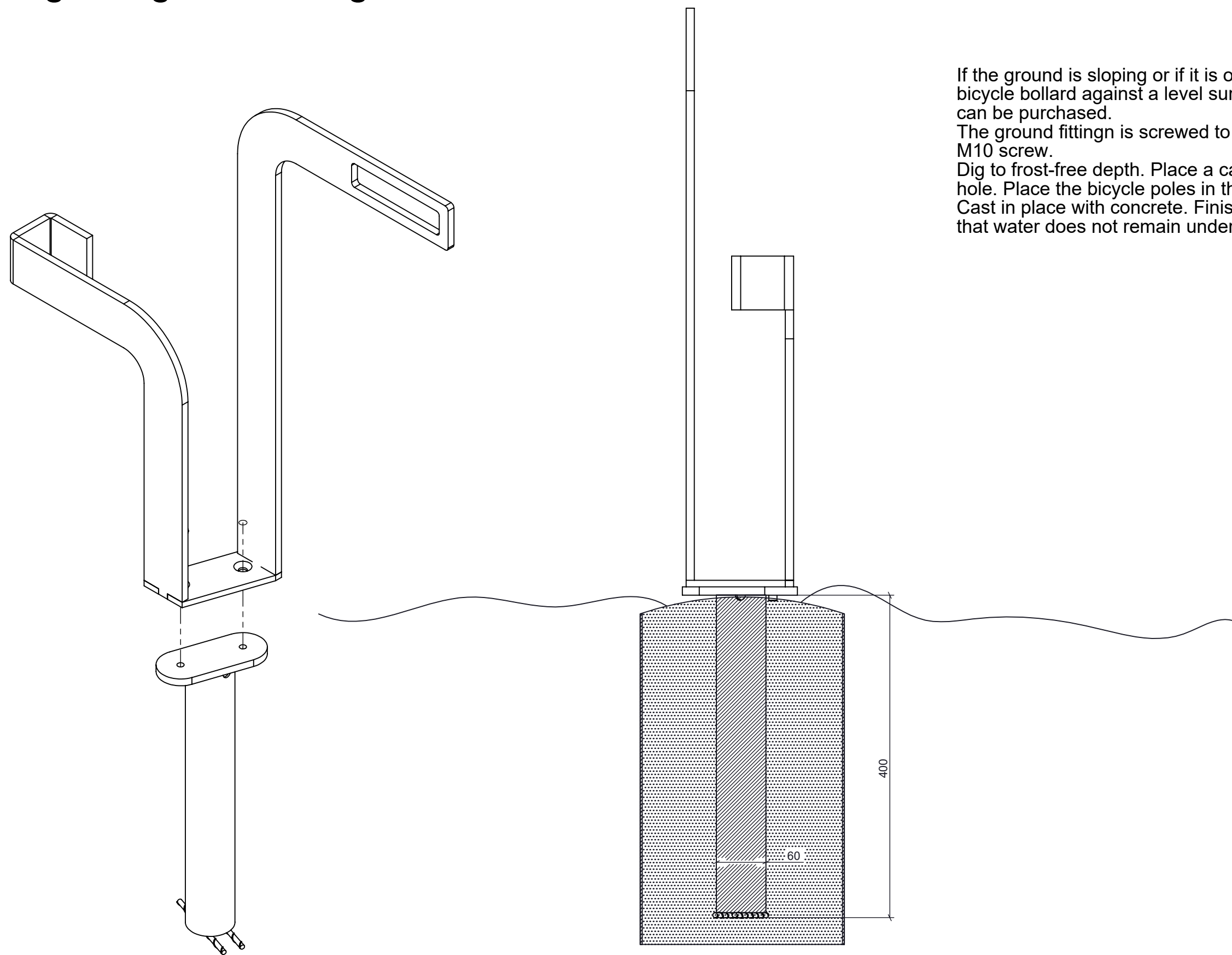
Fastening must be done with recessed expander M10 or expander sleeves and M10 bolt. The holes are adapted for a sunken skull, but the dimensions are balanced so that an external skull can also be used.

Installation on paving stones or paving slabs/
Undercast the slabs with concrete. There must be no setting sand between the tiles and the concrete. Drill the plate for expander.

Installation on concrete base/
Drill the concrete for expander.

Installation on gravel or grass/
Excavate the ground for a concrete foundation. Cast a foundation in concrete pipe or cardboard pipe. The foundation must be flat at the top. Drill the foundation for the expander. Fasten the foot to the foundation.

Pouring with ground fitting



If the ground is sloping or if it is otherwise difficult to place the bicycle bollard against a level surface, $\text{O}40\text{-}25\text{M}$ ground fitting can be purchased.

The ground fitting is screwed to the bollard with the attached M10 screw.

Dig to frost-free depth. Place a cardboard or concrete pipe in the hole. Place the bicycle poles in the pipe and brace it.

Cast in place with concrete. Finish the casting with a rounding so that water does not remain under the foot plate.