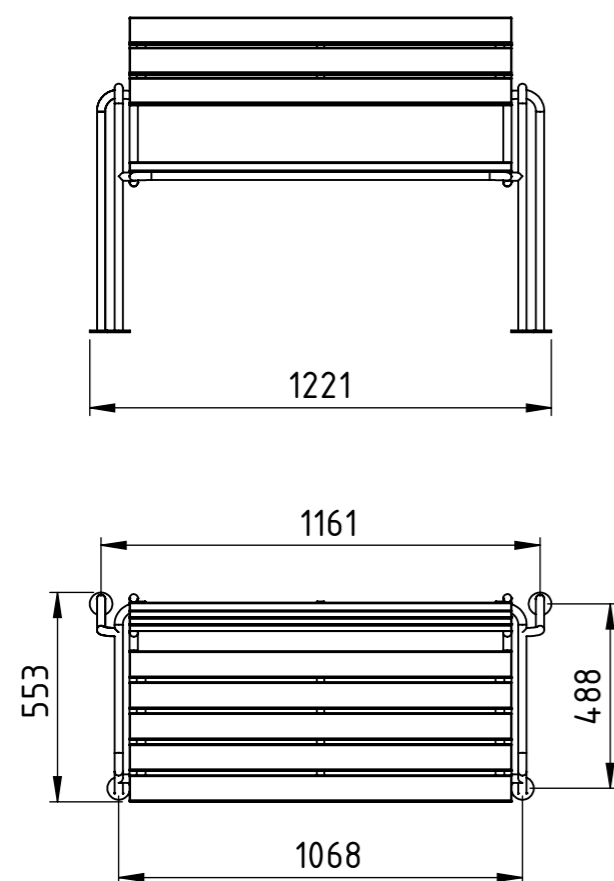


BORNHOLM

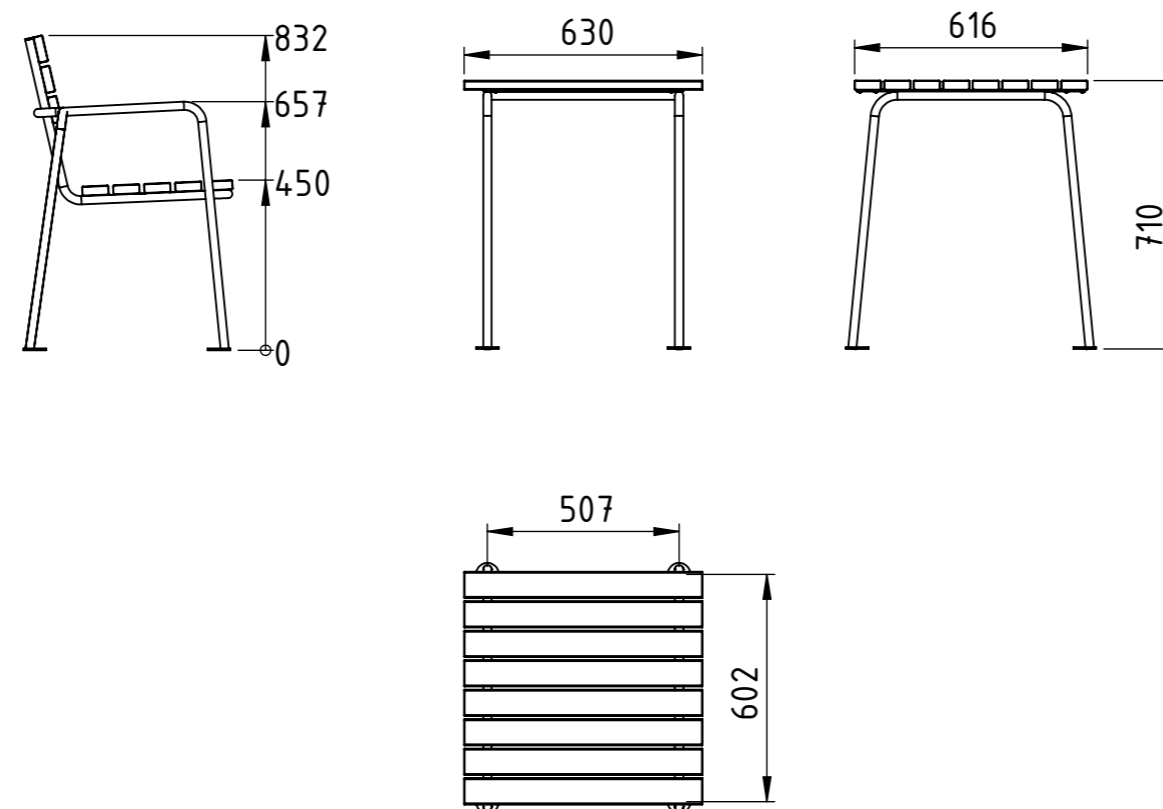
Furniture group

Ritad av Alex Vaivars
Ritad datum 2023-05-23

U20-89 - Bornholm - Sofa



U20-87- Bornholm - Table



Mounting

- Bornholm products can be attached the ground.
- The feet are therefore designed with a mounting ear for M10/M12.
- Drill the hole pattern according to the drawing and according to the ground surface.
- Do not use the product as a hole template.

Installation on a wooden substrate

- Mount with wood screws to the substrate

Installation on small pavers

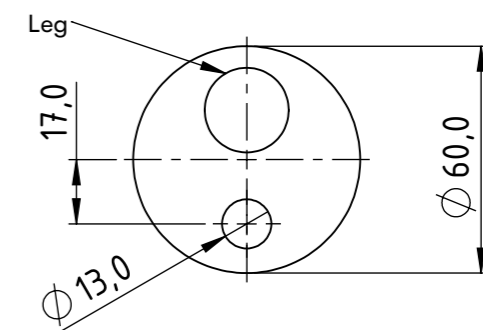
- Undercast the slabs with concrete.
- There must be no setting sand between the tiles and the concrete.
- Drill the plate for expanders or chemical anchors.
- Do not drill through foot plate.
- Mounting with an expander provides a removable attachment.
- Assembly with chemical anchors provides a permanent attachment.
- Use a washer when attaching.

Installation on a concrete base

- Drill the concrete for expanders or chemical anchors.
- Do not drill through foot plate.
- Mounting with an expander provides a removable attachment.
- Installation with chemical anchors provides a permanent attachment.
- Use a washer when attaching.

Installation on gravel or grass

- Excavate ground for a concrete foundation.
- Cast a foundation in concrete pipe or cardboard pipe.
- The top of the foundation must end with a radius
- Drill the foundation for expanders or chemical anchors.
- Do not drill through foot plate.
- Mounting with an expander provides a removable attachment.
- Installation with chemical anchors provides a permanent attachment.
- Use a washer when attaching.



Foot plate hole pattern