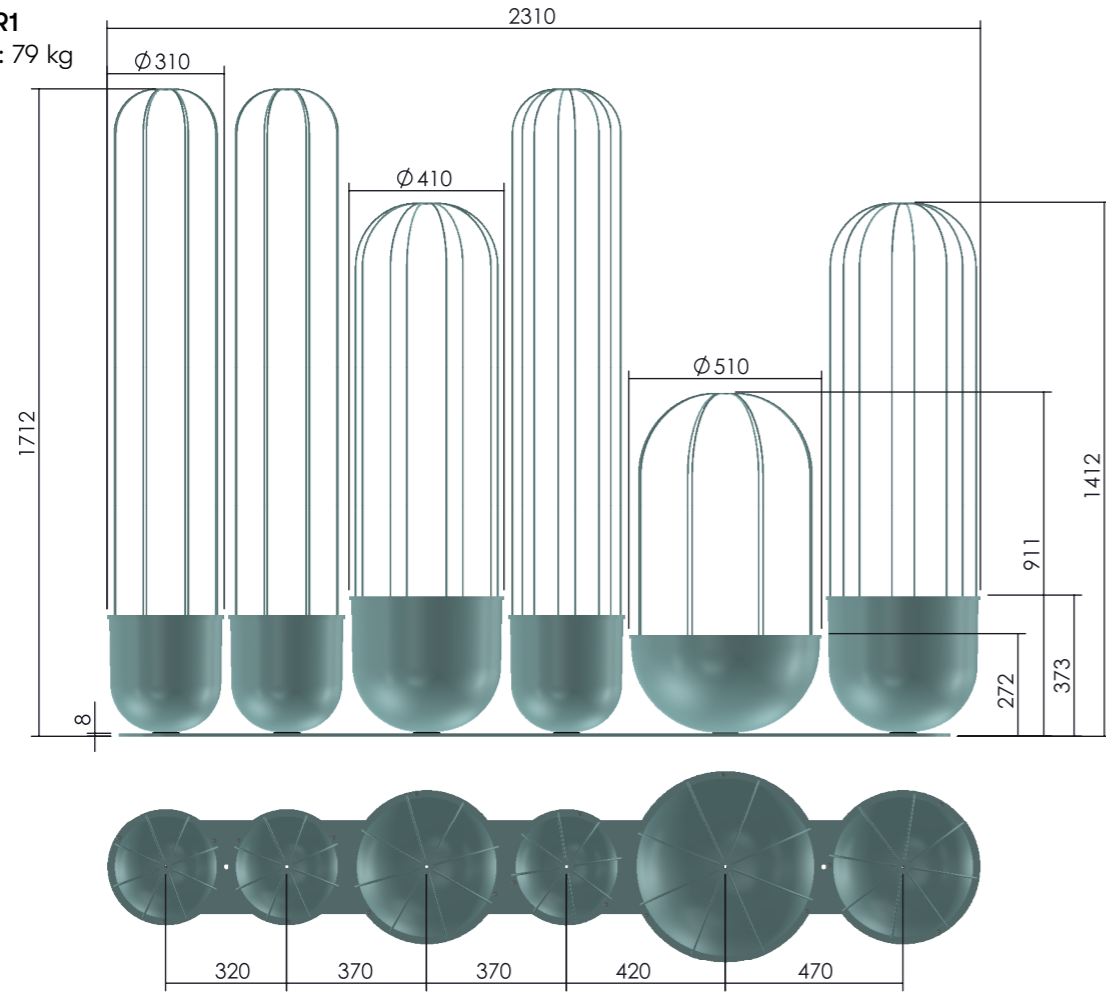


Cacti freestanding products

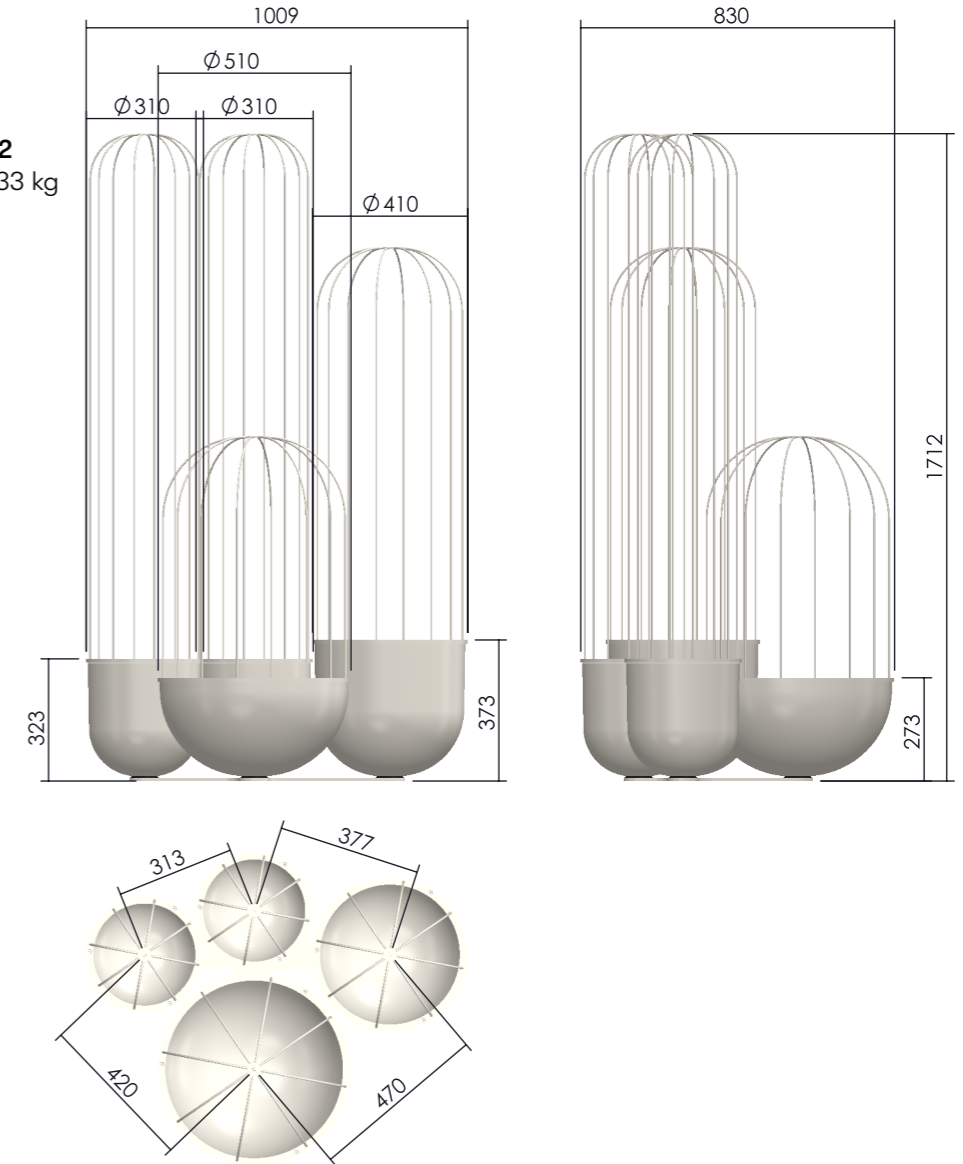
SYSTEMBESKRIVNING



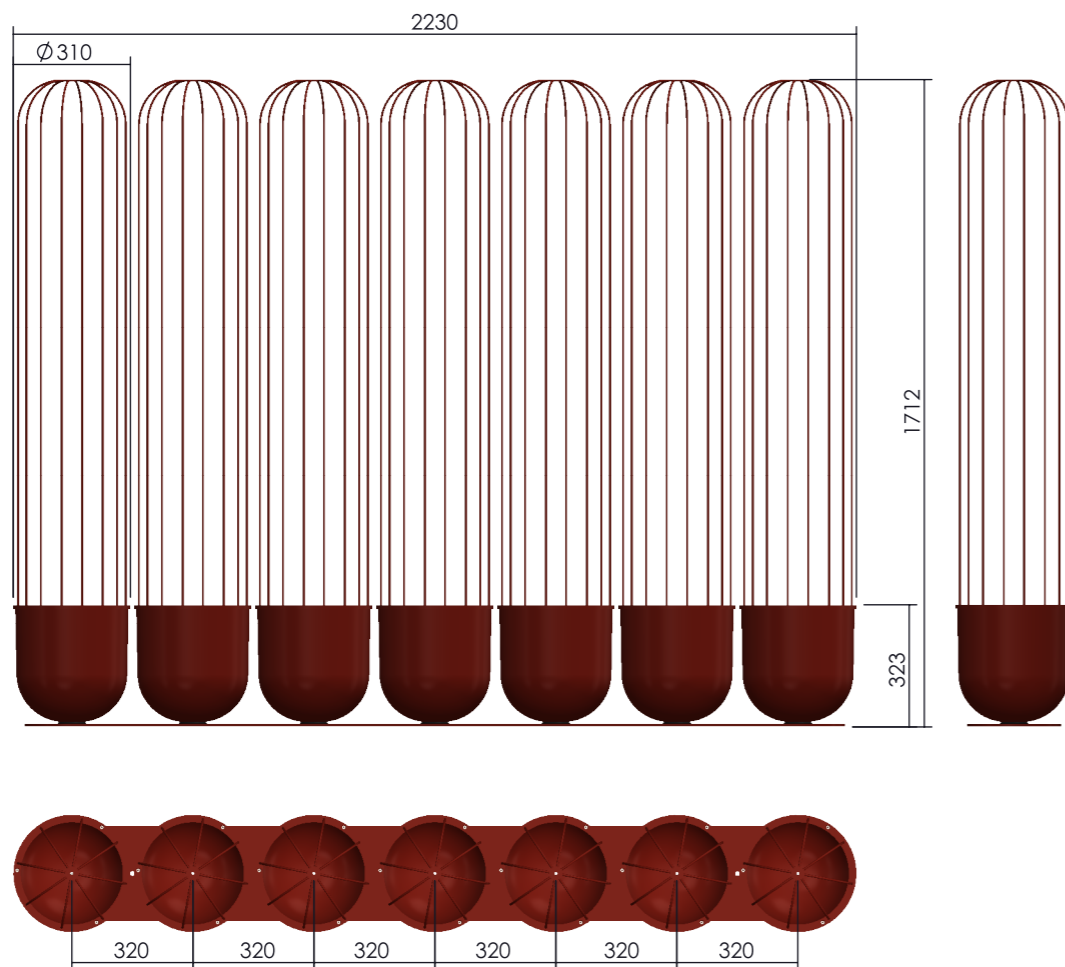
Group 1 **Ö16-42/GR1**
Weight (unplanted): 79 kg



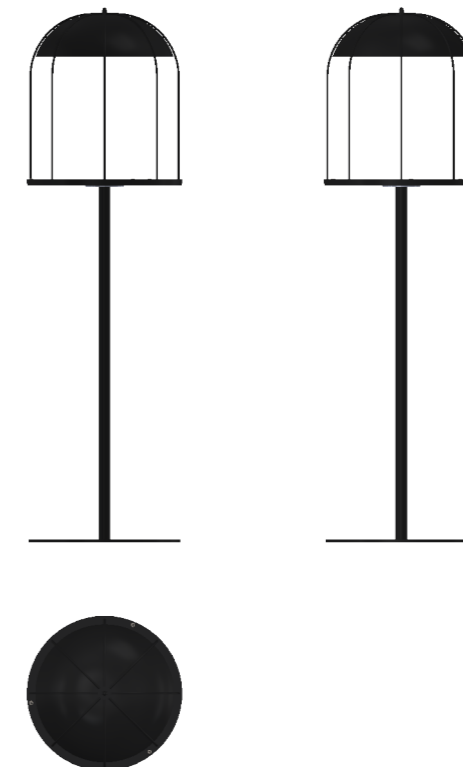
Group 2 **Ö16-42/GR2**
Weight (unplanted): 33 kg



Group 3 **Ö16-42/GR3**
Weight (unplanted): 82 kg



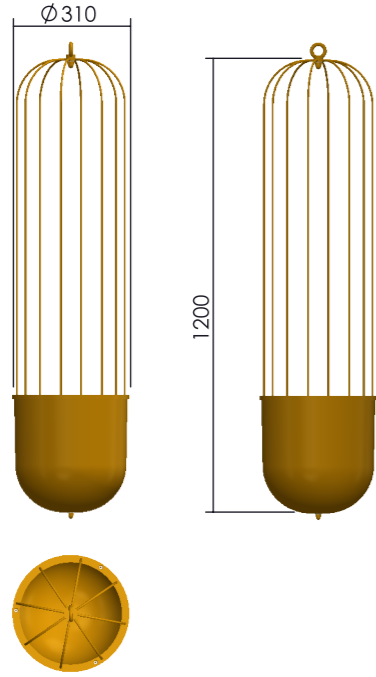
Bird feeder **Ö16-47N**
Weight: 19 kg



Cacti Planter and Bird feeder is delivered as freestanding products. Contact Nola if there are requests to mount in ground.

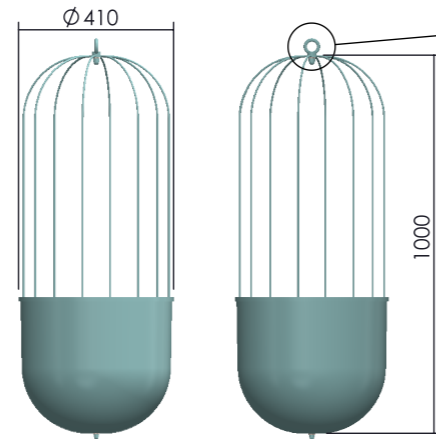
Cacti hanging products

Hanging Planter 1
Ö16-43/30
Weight (unplanted): 6 kg

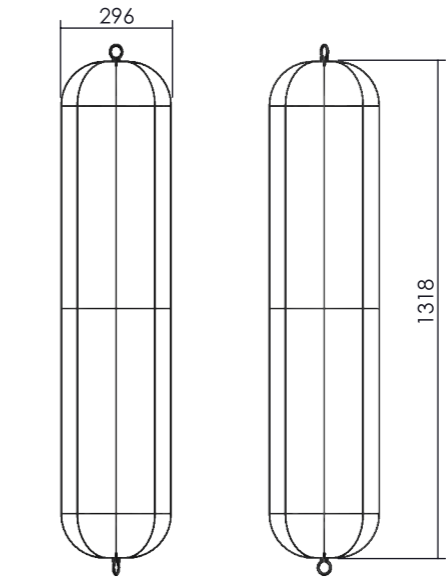
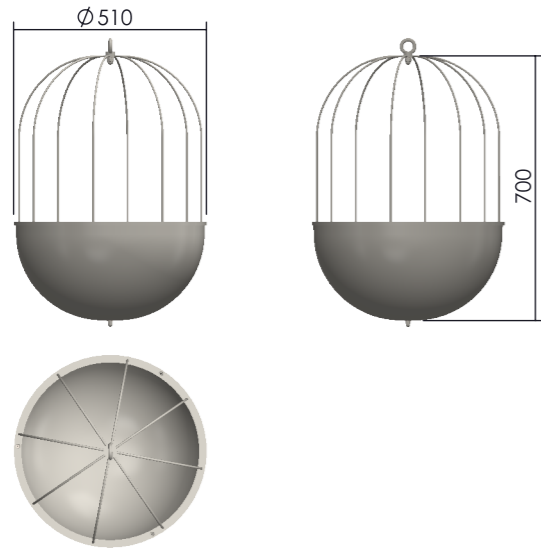


All hanging cacti products are provided with a loop for hanging. Suspension is preferably done with wire or chain, which is not included in the delivery. It is important that the place where the suspension is connected can withstand the weight of the planter even when planted.

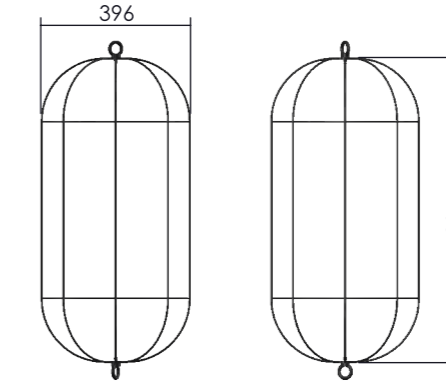
Hanging Planter 2
Ö16-43/40
Weight (unplanted): 7,6 kg



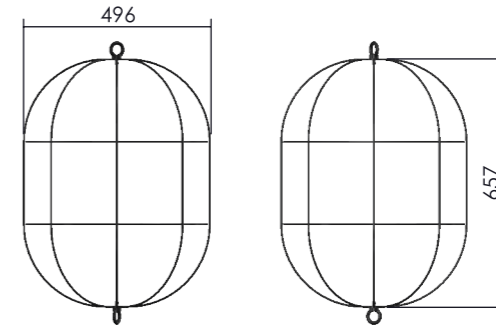
Hanging Planter 3
Ö16-43/50
Weight (unplanted): 7,4 kg



Hanging Basket 1
Ö16-44/30
Weight: 3,5 kg

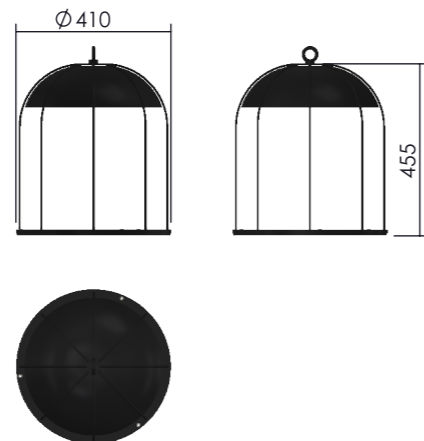


Hanging Basket 2
Ö16-44/40
Weight: 2,6 kg



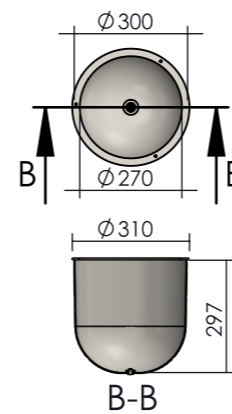
Hanging Basket 3
Ö16-44/50
Weight: 2,5 kg

Hanging Bird Feeder
Ö16-47H
Weight: 9,6 kg

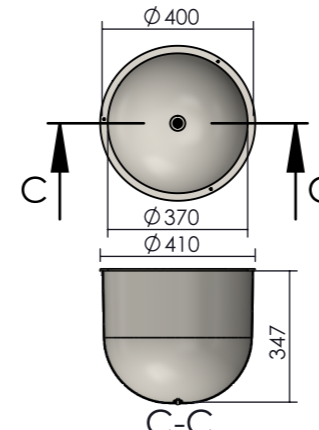


General planting information

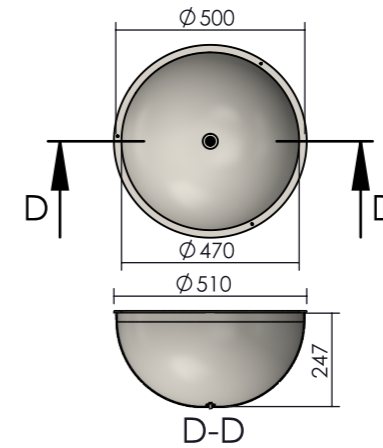
The planters come in three different sizes.



Outer: Ø 300 mm
Inner: Ø 270 mm
Volume: 12 Liters



Outer: Ø 400 mm
Inner: Ø 370 mm
Volume: 28 Liters



Outer: Ø 500 mm
Inner: Ø 470 mm
Volume: 22 Liters

The planters are sealed with a rubber washer at the bottom when delivered. It is recommended not to plant directly in the container without using an inner pot. If the planters are placed under the open sky, they need to be drained. Suggested by 3 holes approx. Ø 6 mm taken up a bit from the bottom. Contact Nola with questions.