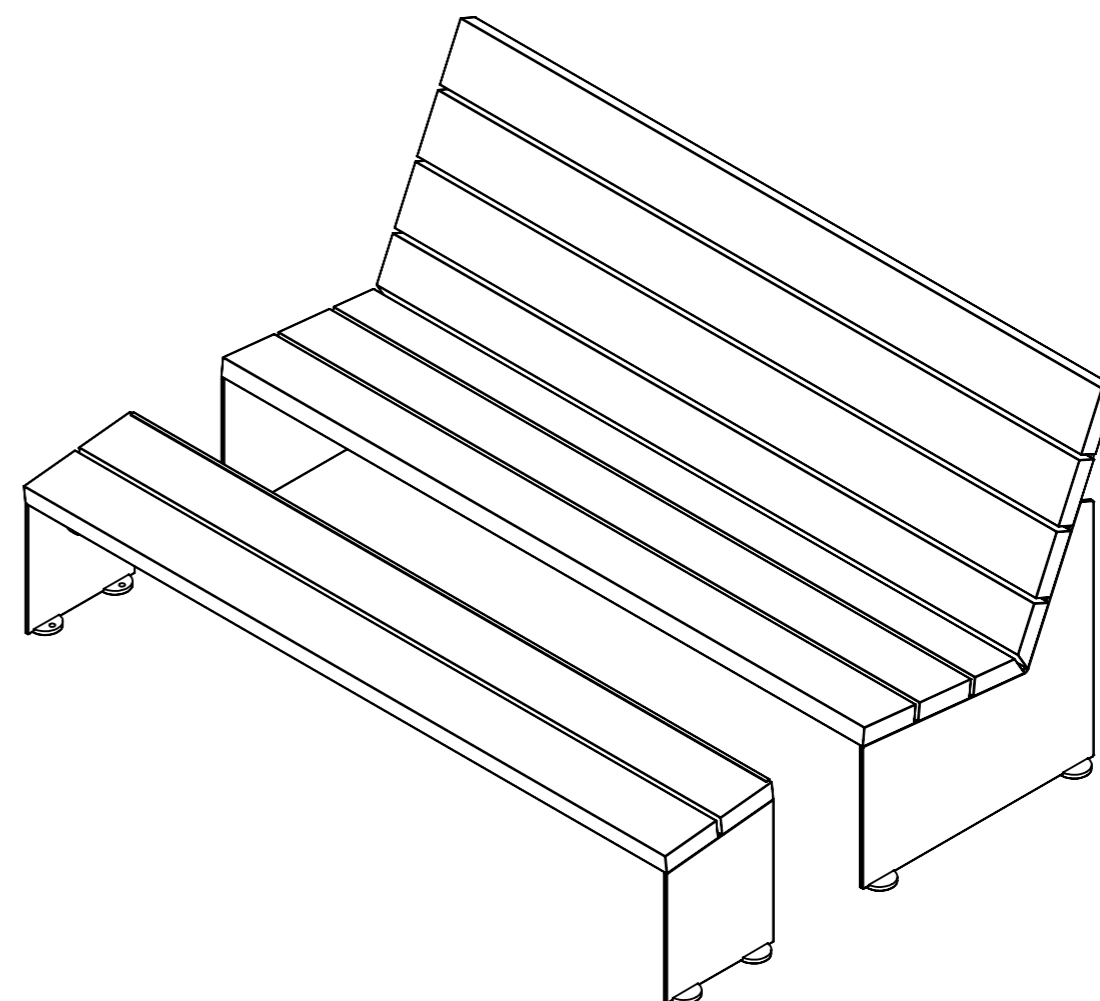


Basking assembly instructions

Table of contents

Product Information Sun Sofa	s.2
Product Information Footrest	s.3
Above-Ground Installation	s.4
Care and Maintenance	s.5
Disassembly and Recycling	s.5



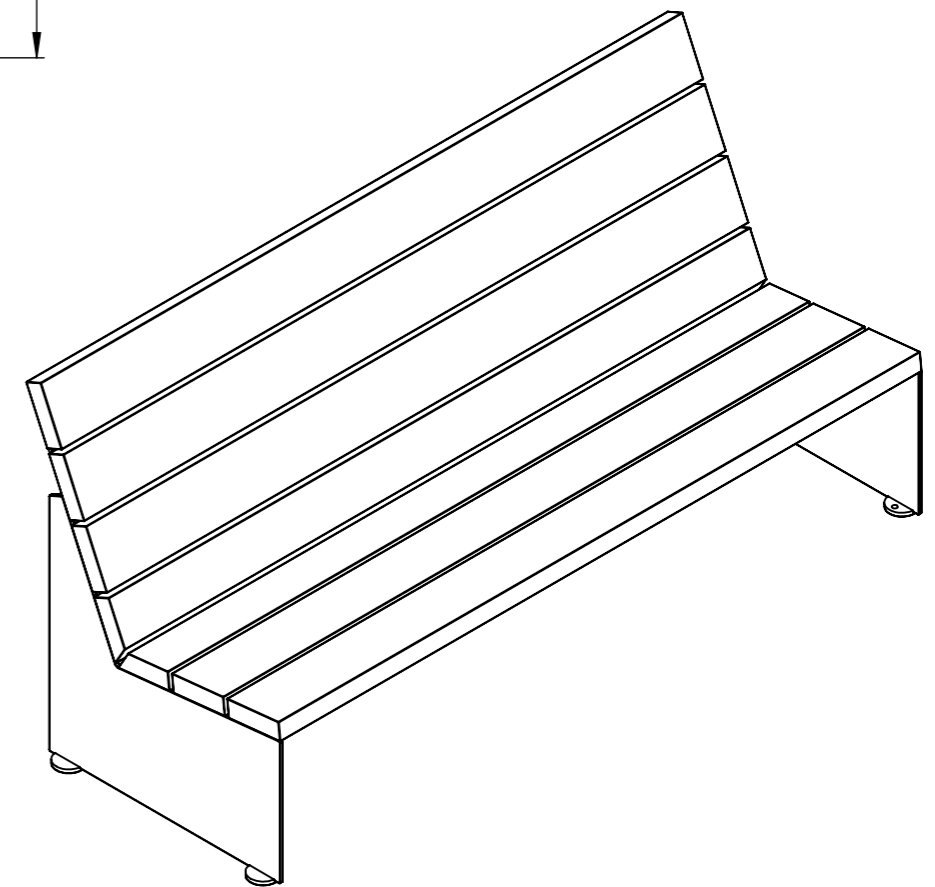
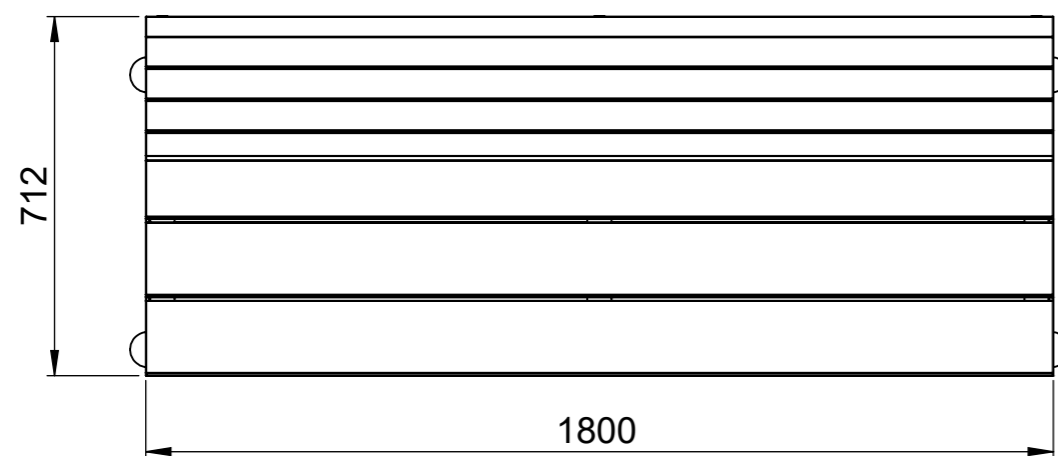
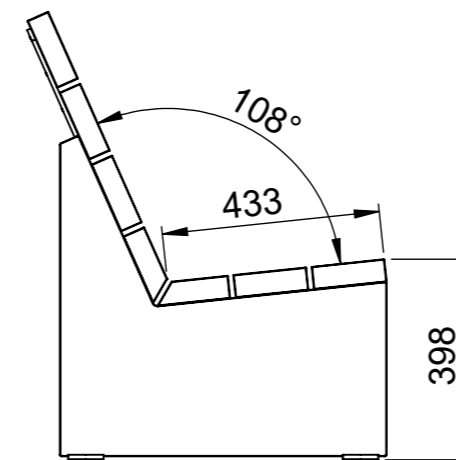
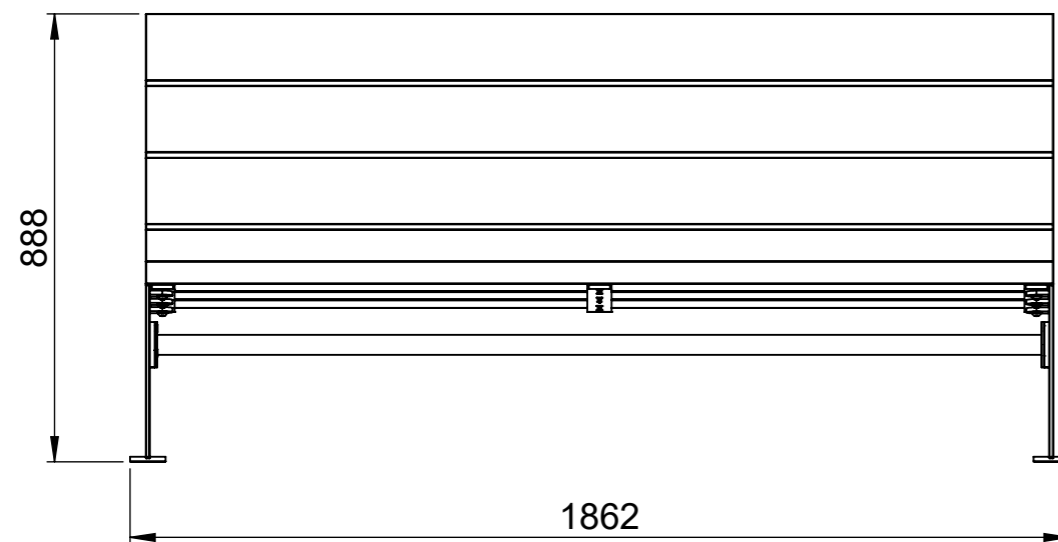
Basking assembly instructions

Sun sofa

Basking Sun sofa

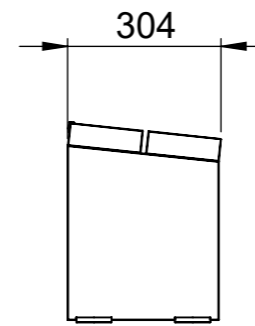
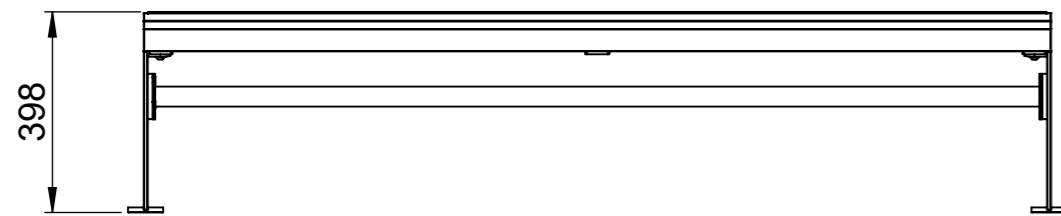
Delivered fully assembled

Weight: 61 kg



Basking assembly instructions

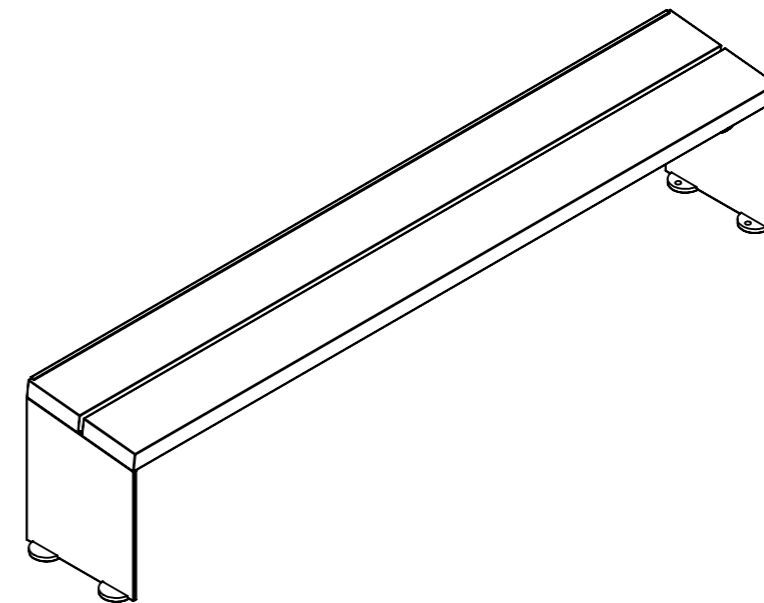
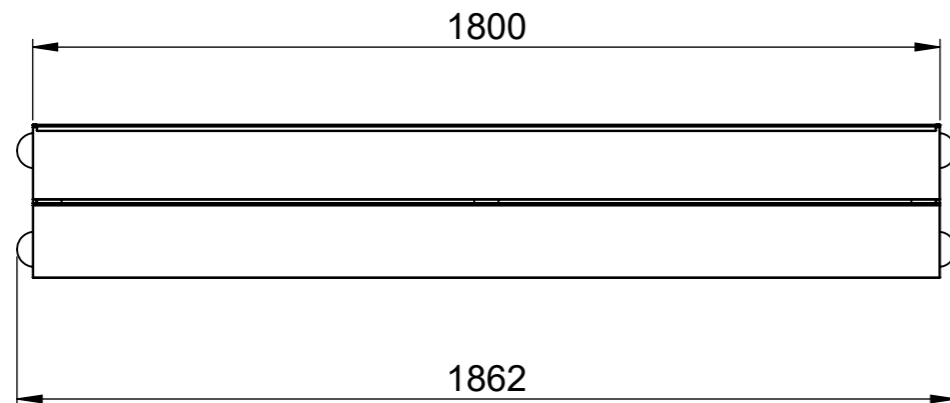
Footrest



Basking Footrest

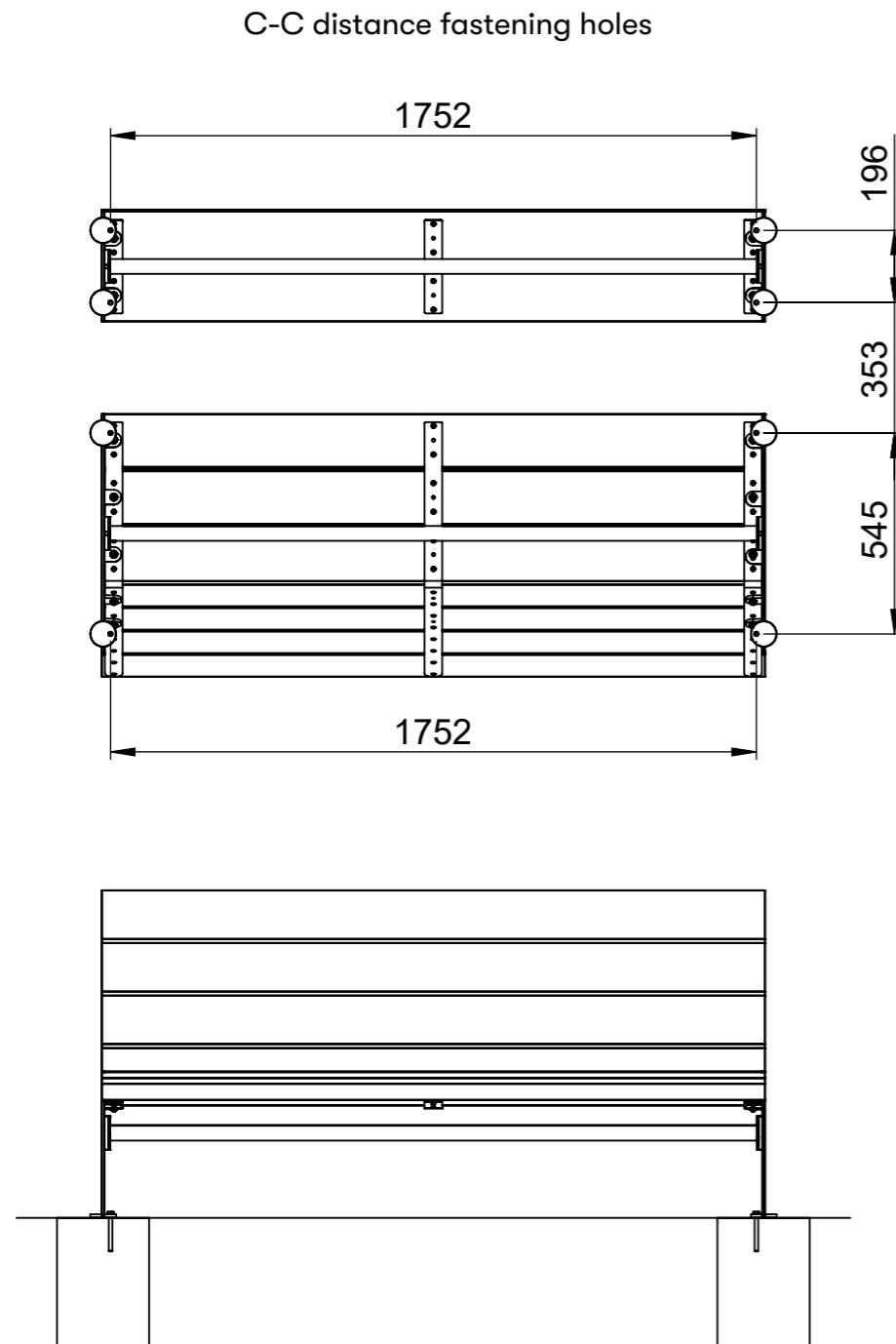
Delivered fully assembled

Weight: 21 kg

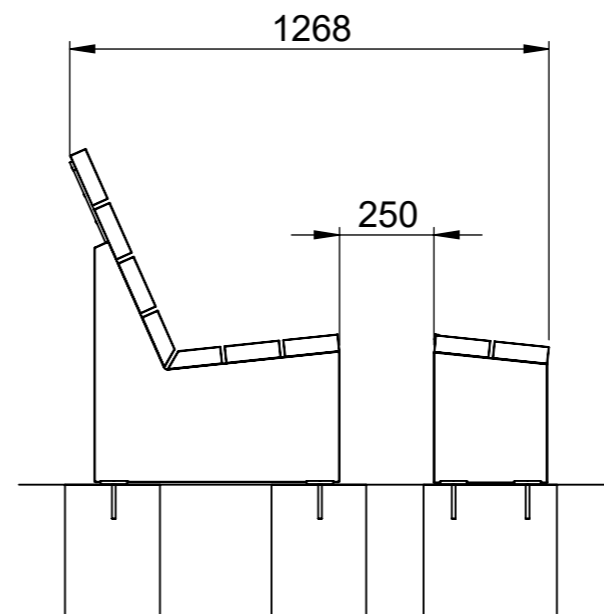


Basking assembly instructions

Above-ground installation



Recommended space between sofa and footrest is 250 mm



Above-Ground Installation

Place the sofa and footrest in the designated location. The recommended space between the sofa and footrest is 250 mm. Mark the positions of the fastening holes on the surface, remove the furniture, and pre-drill for the intended screws or bolts. Alternatively, drill the holes directly through the fastening holes, taking care not to damage the coating. The mounting holes are \varnothing 12 mm and designed for 10 mm fasteners.

Installation on Wooden Surfaces

Mount using lag screws suitable for wood.

Installation on Cobblestones or Paving Slabs

Cast or lay foundations under the surface slabs. There must be no bedding sand between the slabs and the concrete. Drill through the slab into the foundation for an expansion anchor or chemical anchor.

Installation with an expansion anchor allows for removable fastening. Installation with a chemical anchor provides a permanent fastening.

Installation on Concrete Surfaces

Drill into the concrete for an expansion anchor or chemical anchor.

Installation on Gravel or Grass

Excavate the ground for a concrete foundation. Cast a foundation using a concrete tube or cardboard tube. The top of the foundation should be finished with a radius for water drainage. Drill into the foundation for an expansion anchor or chemical anchor. Bolt the furniture to the foundation and restore the ground surface.

It is recommended to cast one foundation per foot pair for the footrest since the feet are positioned close together.

Basking assembly instructions

Maintenance and disassembly

Care and Maintenance

Inspect the furniture regularly and touch up surfaces as needed.

Powder-Coated Aluminum

The frames and supports are made of powder-coated aluminum. Any damage to the powder coating should be touched up with alkyd paint in a matching color. Contact Nola for inquiries regarding touch-up paint.

Linax-Impregnated Pine

Linax is a linseed oil-based impregnation that provides extra durability in outdoor environments and corresponds to impregnation class AB. The impregnated wood will naturally gray over time, so re-oiling may be necessary. Use a linseed oil-based product suitable for impregnated materials.

Disassembly and Recycling

To replace or repair the wooden boards, simply unscrew them from the underside of the sofa and footrest.

For major repairs, the furniture can be sent back whole – contact Nola for details. When recycling, disassemble the furniture and sort the materials as pressure-treated wood and aluminum.

