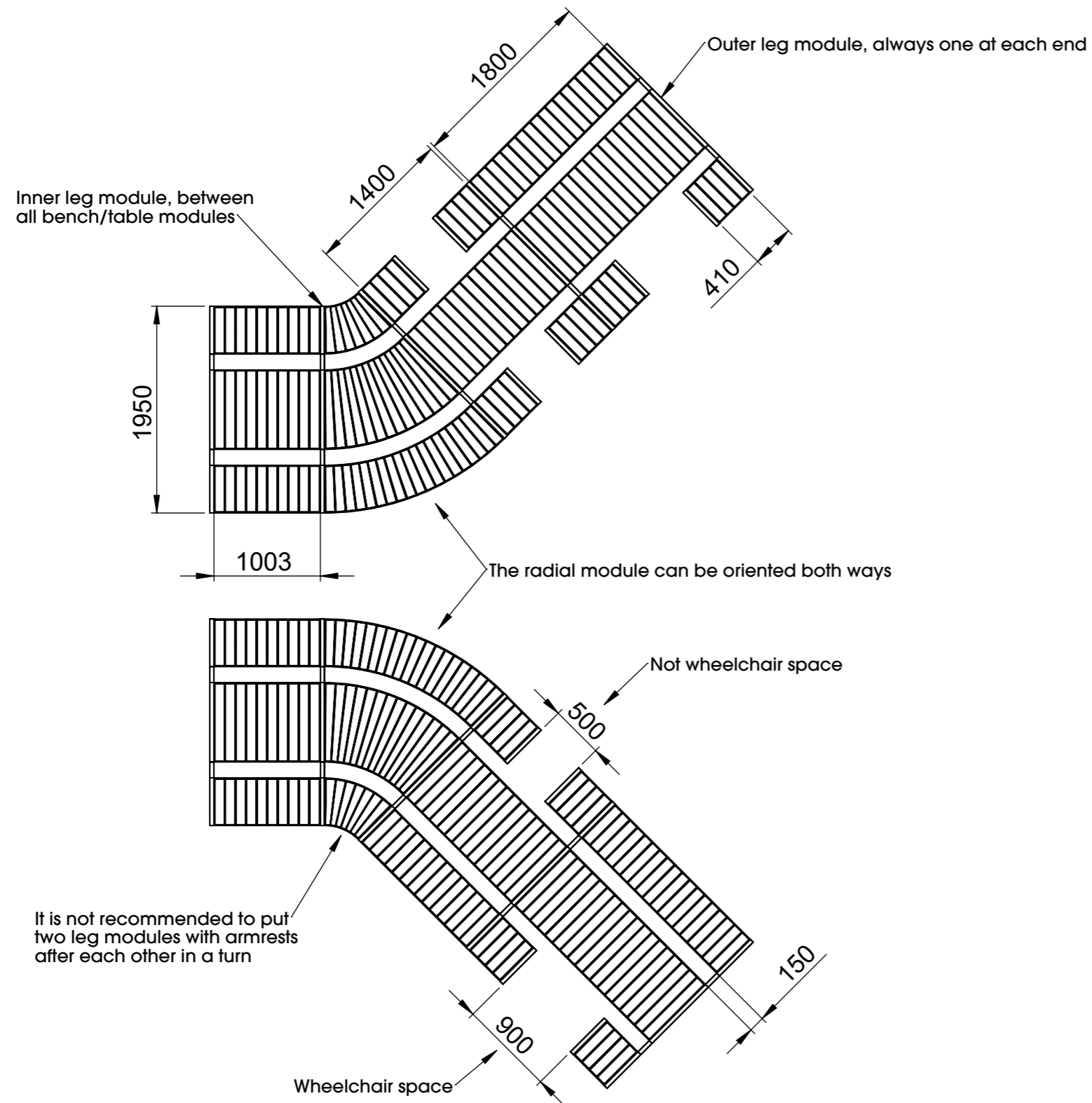


Långbordet furniture system

System description

Ritad av Odin Sollie
Ritad datum 2023-09-21



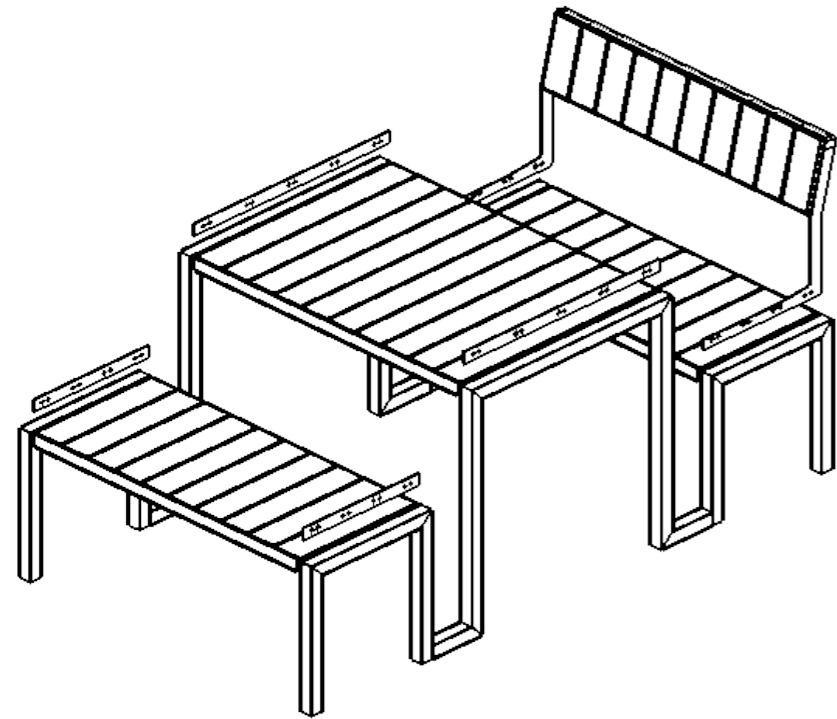
Långbordet dos and don'ts

- The leg modules and bench/table modules of Långbordet are bought individually.
- All bench/table modules include a table with benches on both sides.
- Every continuous combination of Långbordet requires two outer leg modules, one at each end.
- All leg modules connecting two bench/table modules must be inner leg modules.
- Any leg module can have armrests if desired, however it is not recommended that all do.
- Pay attention to accessibility when planning for armrests, since they slightly hinder movement between bench and table.
- Further regarding access: the armrests somewhat block the seat in an inner curve of a radial module, so two leg modules with armrests after each other in a curve will cause inconvenience.
- All modules can be connected to any leg module and in either orientation, including the radial module.
- Choosing a split bench with the 1800 module leaves a 900 mm wide space accessible for a wheelchair.
- A split bench with the 1400 module creates a space of 500 mm. This is not enough space for a wheelchair but makes the bench accessible to enter without having to climb over it. Note that a split bench with the 1400 module result in one less seat.
- The leg modules and bench/table modules of Långbordet are relatively heavy so combinations with more than one module generally do not need to be secured to the ground.

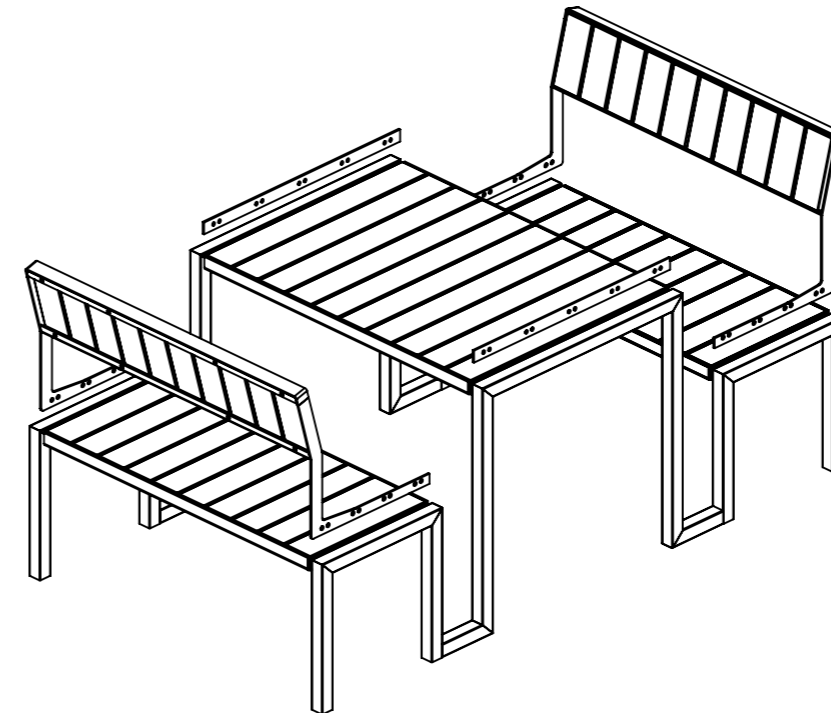
Långbordet möbelsystem

Backrest instructions

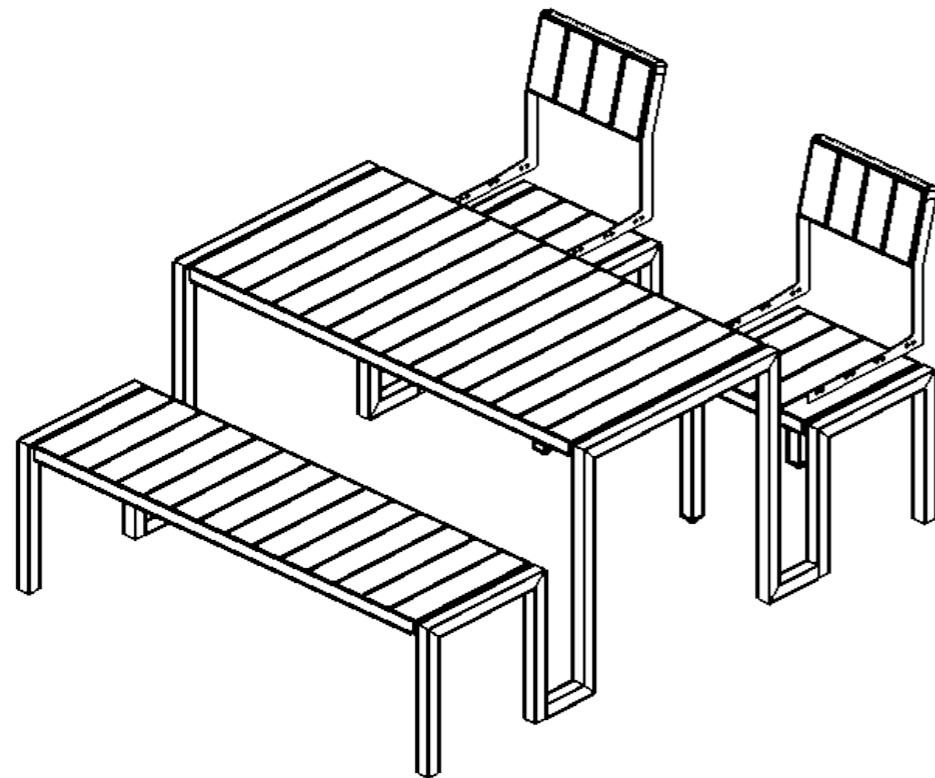
Ritad av Odin Sollie
Ritad datum 2023-09-21



Adding one backrest to a 1000 or 1400 module requires that one set of bench spacers and table spacers each also are purchased and installed. This is to compensate for the increase in width produced by the backrest.



Adding backrests to both sides of a 1000 or 1400 module requires that one set of table spacers are purchased and installed. This is to compensate for the increase in width produced by the backrests.



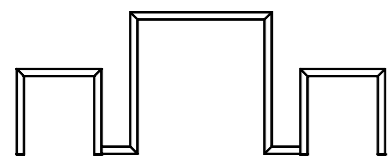
Adding split backrests to one or both sides of a bench-table module with split benches doesn't necessarily require table spacers. The 20 mm increase in width instead decreases the space between the split benches.

ATTENTION! For addition of split backrests to an 1800 module with wheelchair space, table spacers are still recommended to not fall under the 900 mm required by wheelchairs in some contexts.

Långbordet furniture system

Overview

Ritad av Odin Sollie
Ritad datum 2023-09-21



Gable w/o armrests

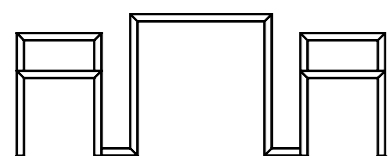
U17-80 Outer leg module
U17-80M Inner leg module



U17-82-HH
Långbordet 1400 mm
full bench + table + full bench

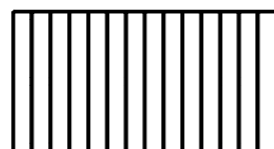


U17-83-HH
Långbordet 1800 mm
full bench + table + full bench

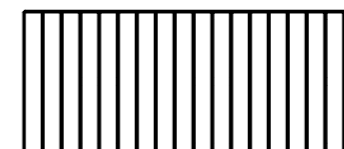


Gable with armrests

U17-80A Outer leg module
U17-80MA Inner leg module



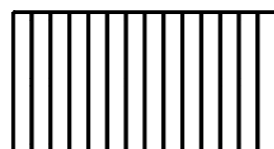
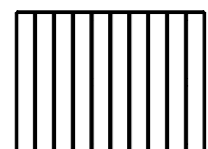
U17-82-UH
Långbordet 1400 mm
split bench + table + full bench



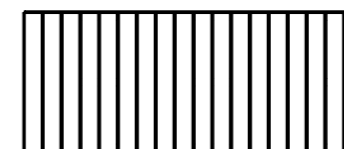
U17-83-UH
Långbordet 1800 mm
split bench + table + full bench



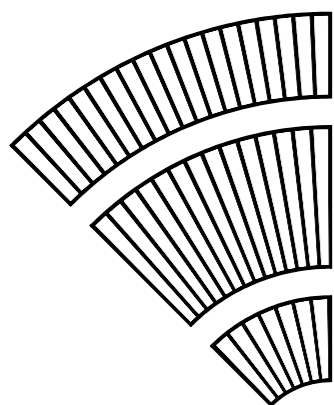
U17-81
Långbordet 1000 mm
full bench + table + full bench



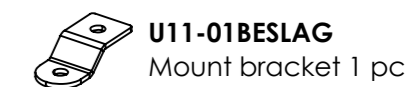
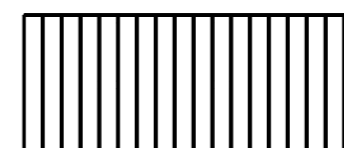
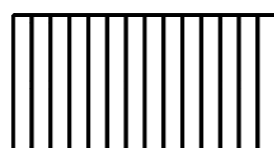
U17-82-UU
Långbordet 1400 mm
split bench + table + split bench



U17-83-UU
Långbordet 1800 mm
split bench + table + split bench



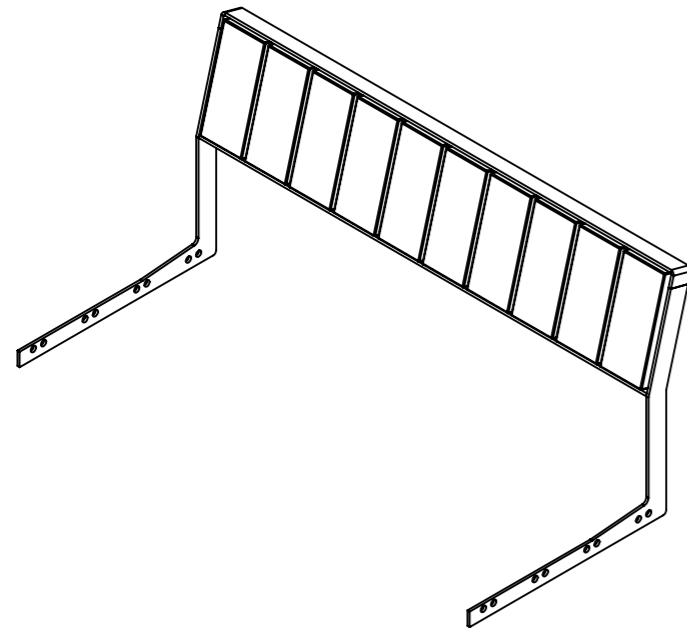
U17-84-R
Långbordet radial module 45°



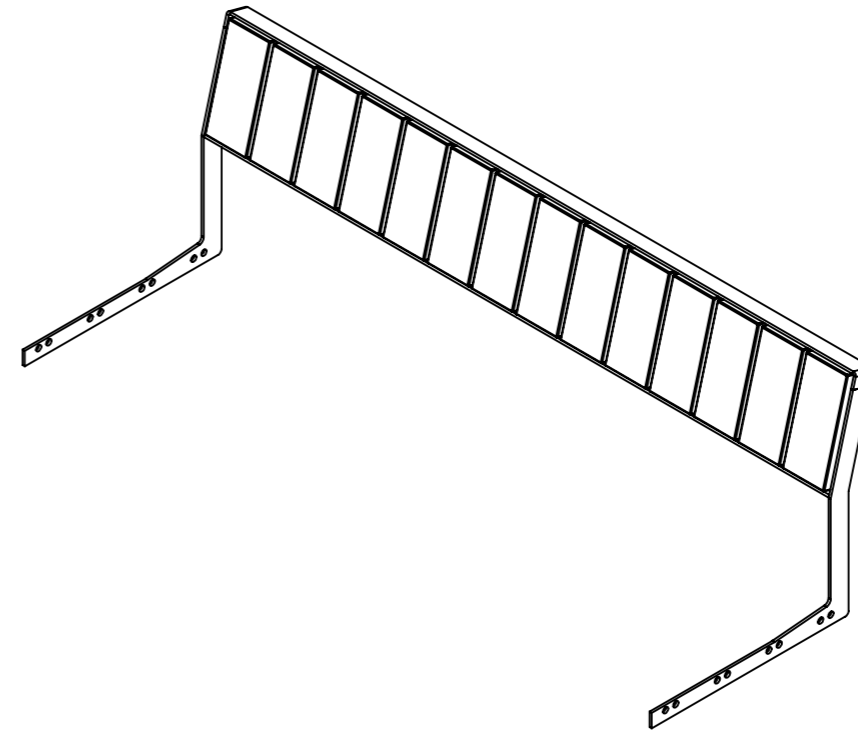
Långbordet möbelsystem

Overview backrests

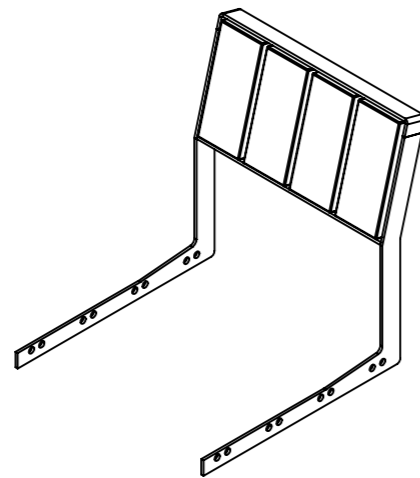
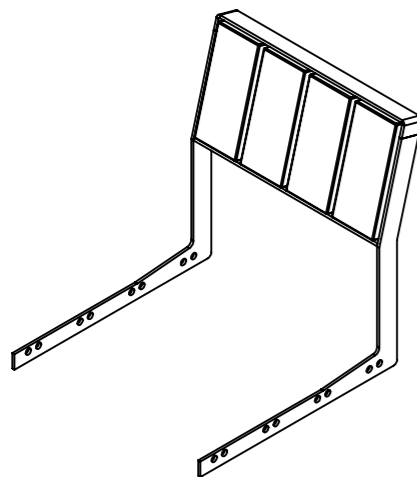
Ritad av Odin Sollie
Uppdaterad 2023-09-21



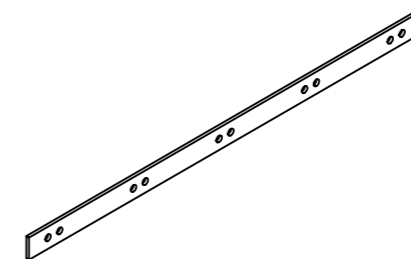
U17-81-H/Rygg
Långbordet Backrest 1000



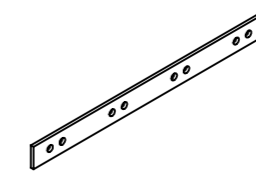
U17-82-H/Rygg
Långbordet Backrest 1400



U17-83-U/Rygg
Långbordet Split Backrests (2 pcs)



U17-80-DL-1 Table Spacers (2 pcs)



U17-80-DK-1 Bench Spacers (2 pcs)