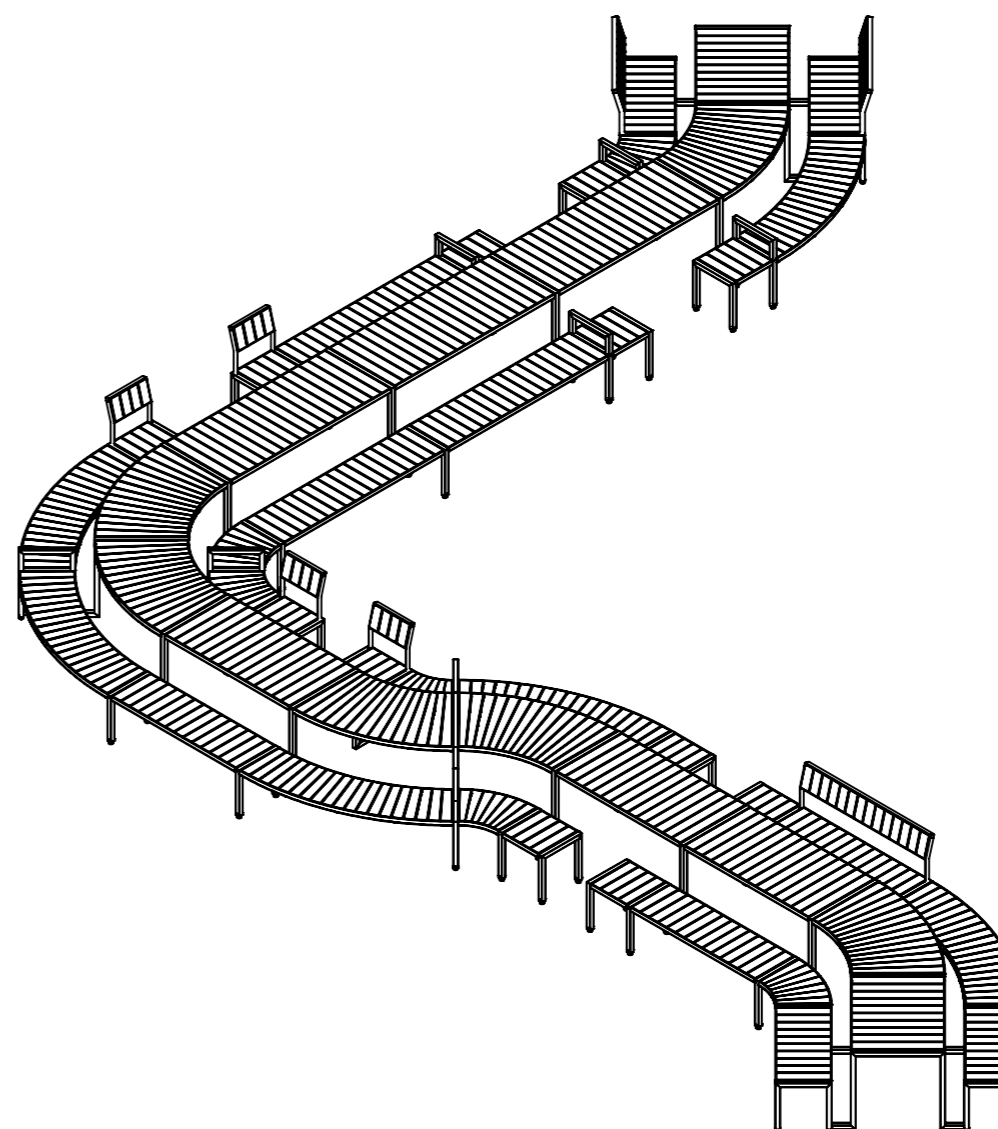


Assembly instructions

Långbordet furniture system

Table of contents

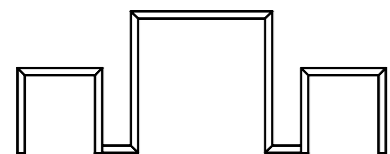
Overview furniture system	s. 2
Overview Backrest	s. 3
Assembly	s. 4
Fastening, info fastening bracket U11-01BESLAG	s. 5
Refurbish, Dismantle, Recycle	s. 6
Individual product info	
U17-80 / M / A / MA Långbordet Leg modules, all kinds	s. 7
U17-81 Långbordet 1000 mm, full bench + table + full bench	s. 8
U17-82-HH Långbordet 1400 mm, full bench + table + full bench	s. 9
U17-82-UH Långbordet 1400 mm, split bench + table + full bench	s. 10
U17-82-UU Långbordet 1400 mm, split bench + table + split bench	s. 11
U17-83-HH Långbordet 1800 mm, full bench + table + full bench	s. 12
U17-83-UH Långbordet 1800 mm, split bench + table + full bench	s. 13
U17-83-UU Långbordet 1800 mm, split bench + table + split bench	s. 14
U17-84-R Långbordet radial module 45°	s. 15
Långbordet Backrest instructions	s. 16
Långbordet Backrest assembly	s. 17
U17-81-H-Rygg Långbordet Backrest 1000	s. 18
U17-82-H-Rygg Långbordet Backrest 1400	s. 19
U17-83-H-Rygg Långbordet Backrest 1800	s. 20
U17-83-U-Rygg Långbordet Split Backrests (2 pcs)	s. 21
U17-80-DL Table Spacers (2 pcs)	s. 22
U17-80-DK Bench Spacers (2 pcs)	s. 22
Care and Maintenance	s. 23



Långbordet furniture system

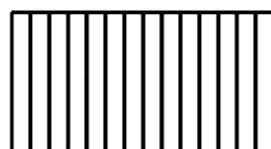
Overview

Ritad av Odin Sollie
Ritad datum 2025-02-26

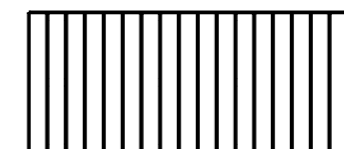


Leg module w/o armrests

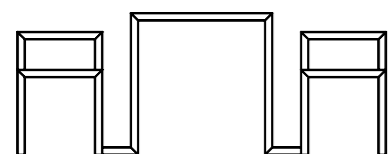
U17-80 Outer leg module w/o armrests
U17-80M Inner leg module w/o armrests



U17-82-HH
Långbordet 1400 mm
full bench + table + full bench



U17-83-HH
Långbordet 1800 mm
full bench + table + full bench

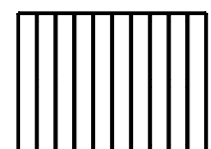


Leg module with armrests

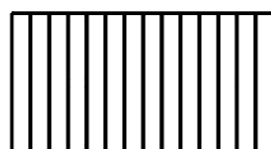
U17-80A Outer leg module w armrests
U17-80MA Inner leg module w armrests



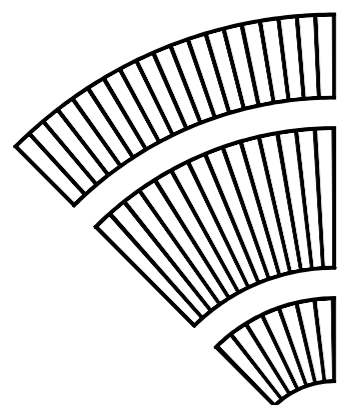
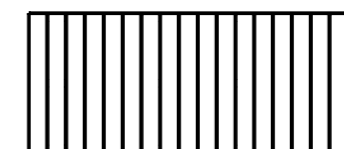
U17-81
Långbordet 1000 mm
full bench + table + full bench



U17-82-UH
Långbordet 1400 mm
split bench + table + full bench



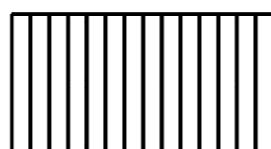
U17-83-UH
Långbordet 1800 mm
split bench + table + full bench



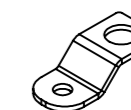
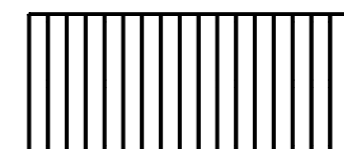
U17-84-R
Långbordet radial module 45°



U17-82-UU
Långbordet 1400 mm
split bench + table + split bench



U17-83-UU
Långbordet 1800 mm
split bench + table + split bench

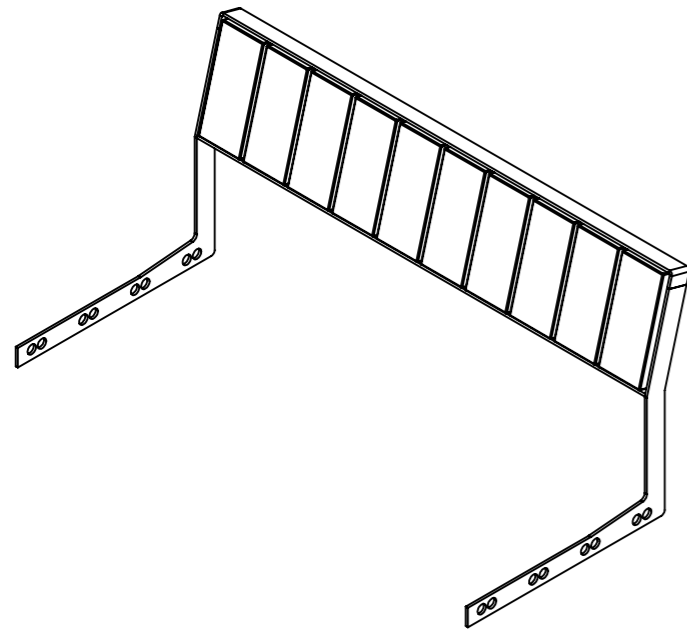


U17-80BESLAG
Fastening bracket 1 pcs

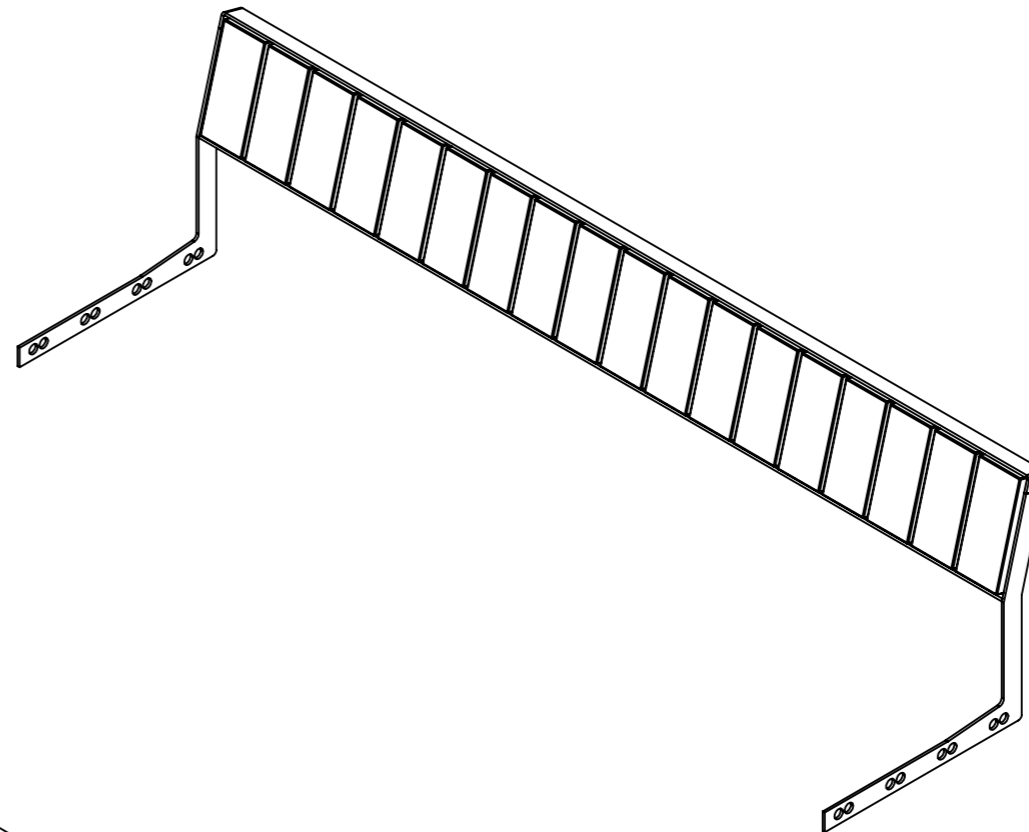
Långbordet möbelsystem

Overview Backrest

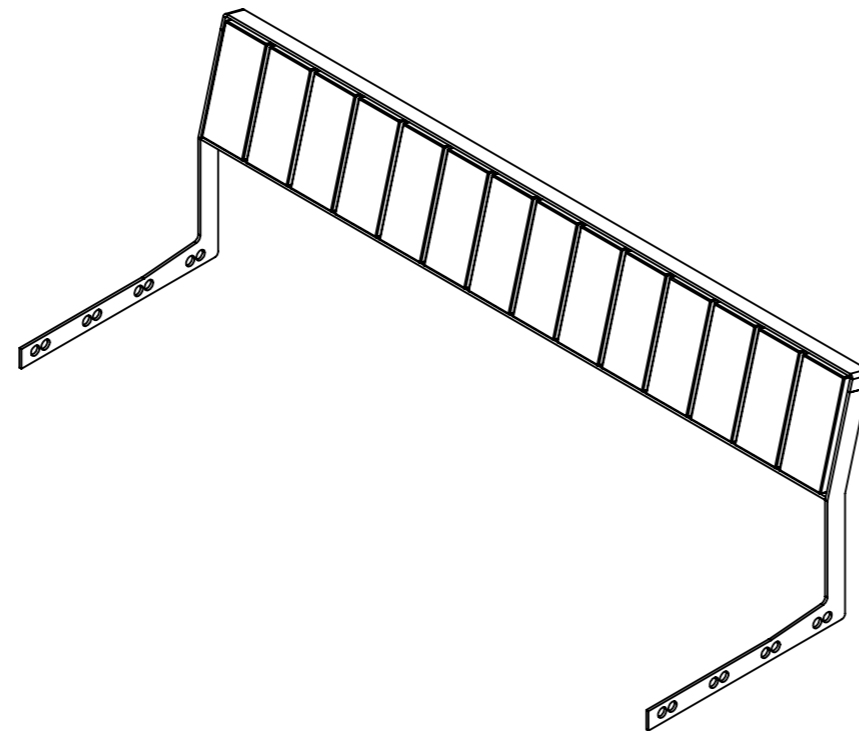
Ritad av Odin Sollie
Ritad datum 2025-02-26



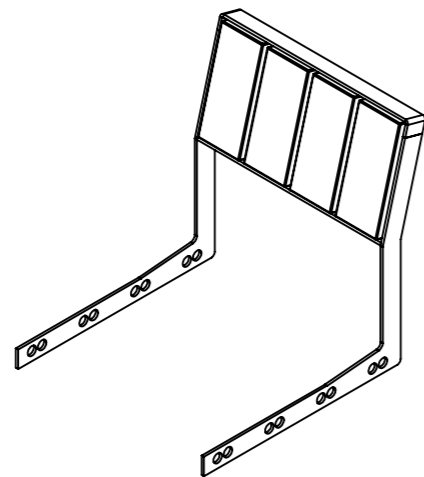
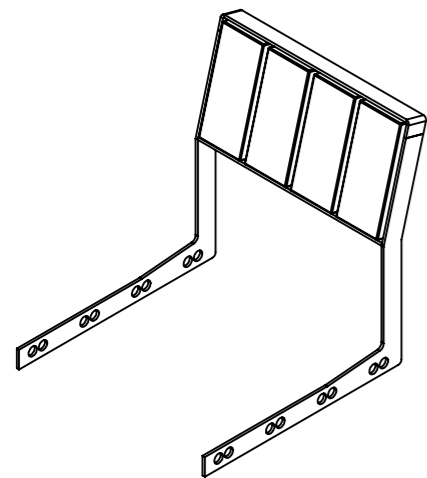
U17-81-H-Rygg
Långbordet Backrest 1000



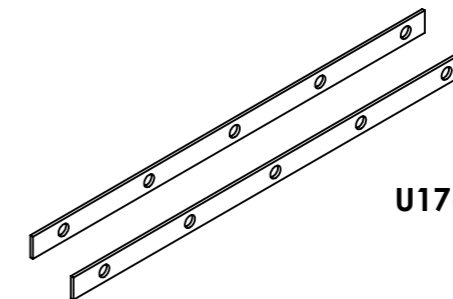
U17-83-H-Rygg
Långbordet Backrest 1800



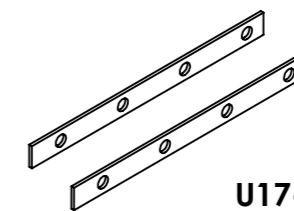
U17-82-H-Rygg
Långbordet Backrest 1400



U17-83-U-Rygg
Långbordet Split Backrests (2 pcs)



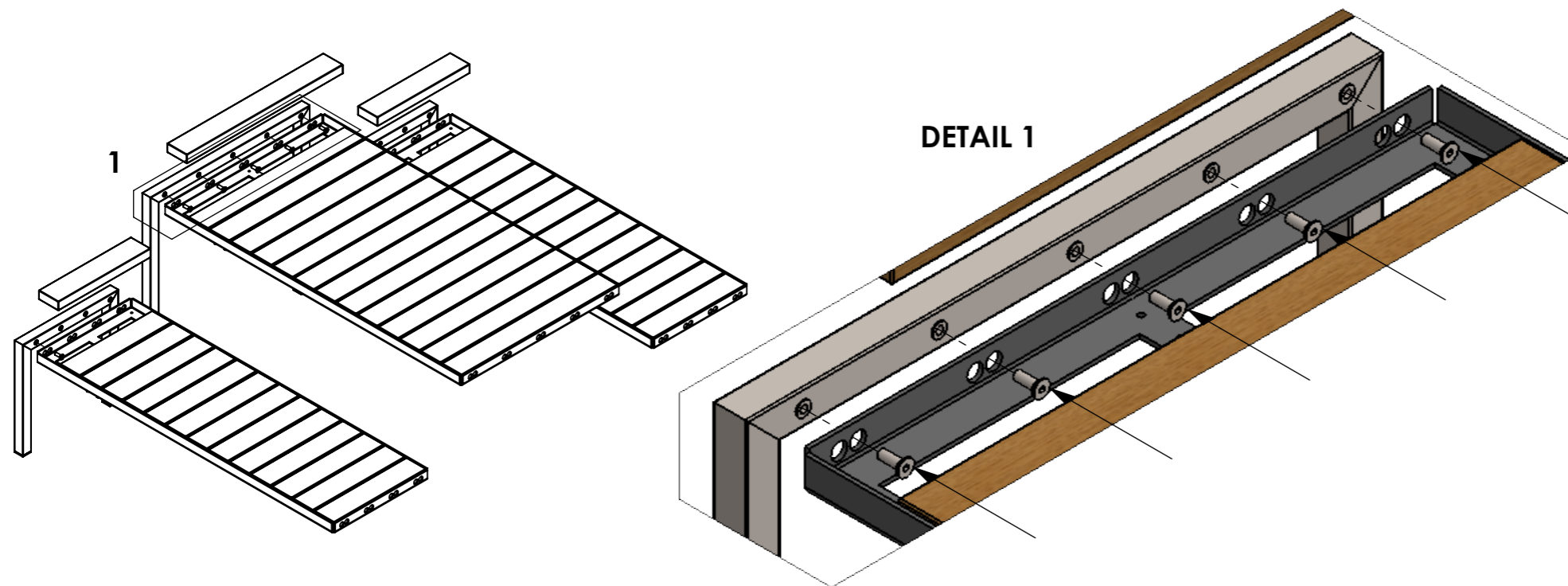
U17-80-DL Table spacers (2 pcs)



U17-80-DK Bench Spacers (2 pcs)

Långbordet furniture system Assembly

Ritad av Odin Sollie
Ritad datum 2025-02-26



For tips on how the furniture system works in regard to planning and placement please read the separate document "**System description**".

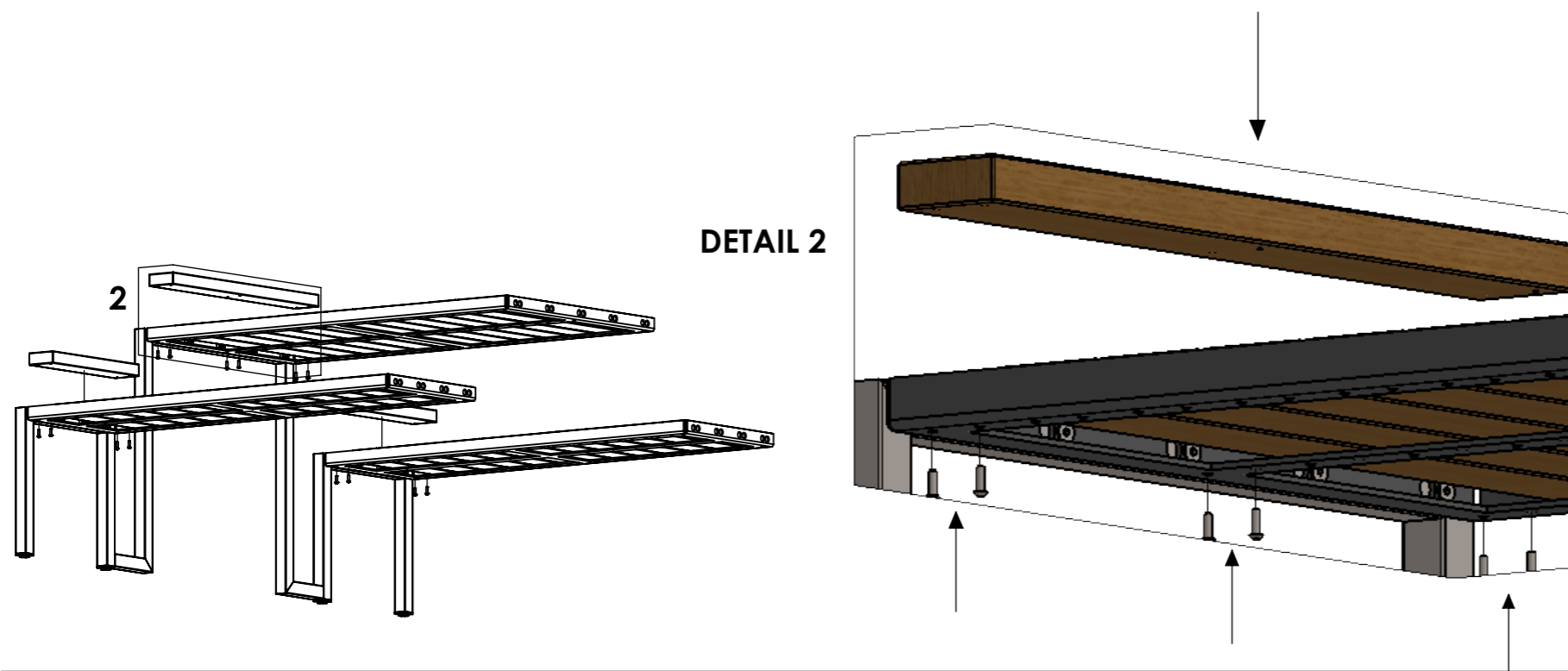
Långbordet is shipped disassembled with leg modules, benches and tabletops separated. It's assembled on site of final placement according to the drawing provided at the time of order. Tables and benches are delivered with their end planks removed to ease assembly.

Assembly is done in the following two steps:

1) Align the short ends of the tabletops and benches with the leg modules and fasten them with the supplied screws in the threaded holes, 4 screws per bench end and 5 per table end. The screws are countersunk even though the holes are not (this is deliberate).

2) Place the planks back in the end slots in the cassettes and screw them in place through the holes in the bottom. Wood screws supplied.

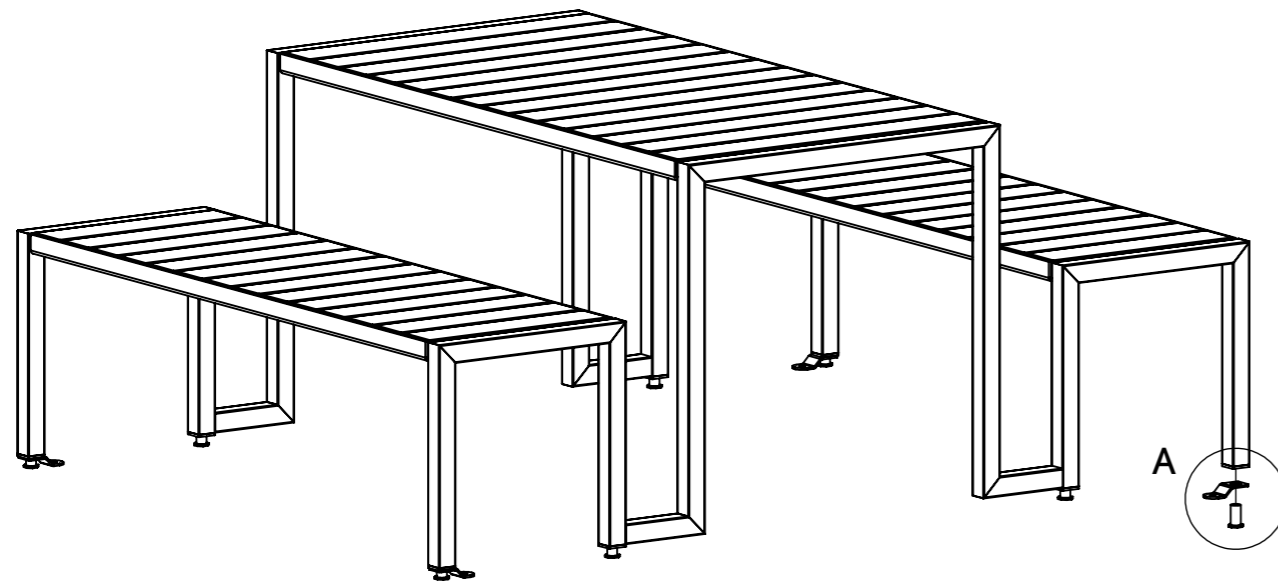
This applies to all benches and tables including split and radial benches.



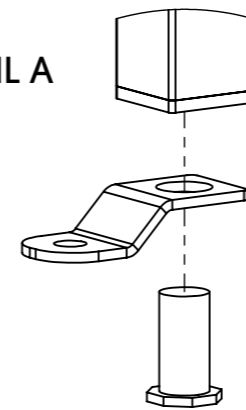
Långbordet furniture system

Fastening

Ritad av Odin Sollie
Ritad datum 2025-02-26



DETAIL A



Långbordet can be fastened to the ground if necessary. Always included with the leg modules are adjustable feet in case of uneven surfaces. These can be combined with fastening brackets that can be purchased in any quantity.

The modules of Långbordet are quite heavy and fastening them to the ground is not necessary in constellations with 2 or more modules to prevent theft.

When ordering, specify:

U11-01BESLAG - Fastening bracket 1 pcs

We recommend 2 fastening brackets per leg module, on the two outer legs. Use **10 mm bolts**

Fastening is done as follows:

Unscrew the adjustable feet from the leg modules outer legs. Slip the hole of the bracket over the threaded pin and screw the combination back in.

Pre-drilling holes according to a site drawing is not recommended. We recommend placing the full constellation of Långbordet on its final spot and drilling through the holes in the brackets where it stands, followed by immediate bolting.

For reference, aligning the brackets in towards each other under the table result in a **C-C distance of around 180 cm.**

Fastening to wooden surface

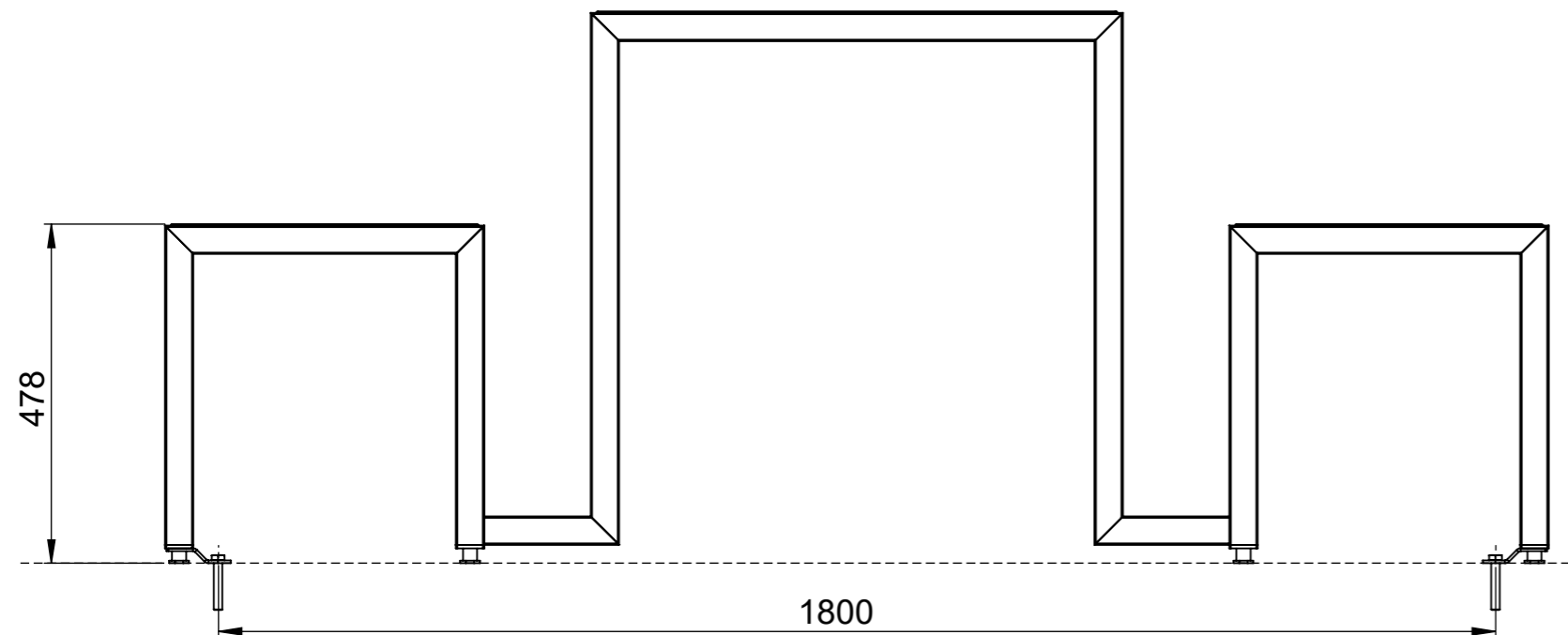
Pre-drill and fasten with French-style wood screws

Fastening to cobblestone or paving slabs

Cast a concrete base under the slabs. There can be no setting sand between the concrete and the slabs or they will crack when put under pressure. Drill the slabs and concrete for expander bolt or chemical anchor.

Fastening to concrete or stone

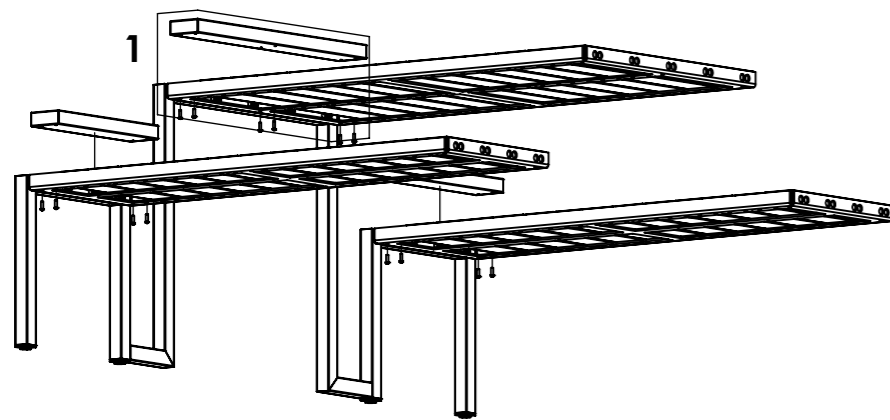
Fasten with expander bolt or chemical anchor as instructed above. Fastening with expander facilitates a removable attachment.



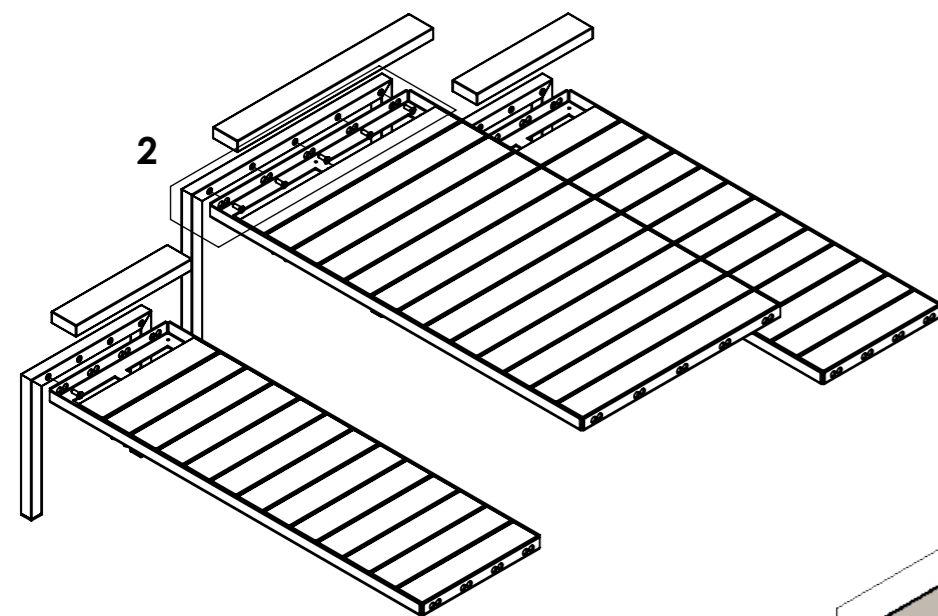
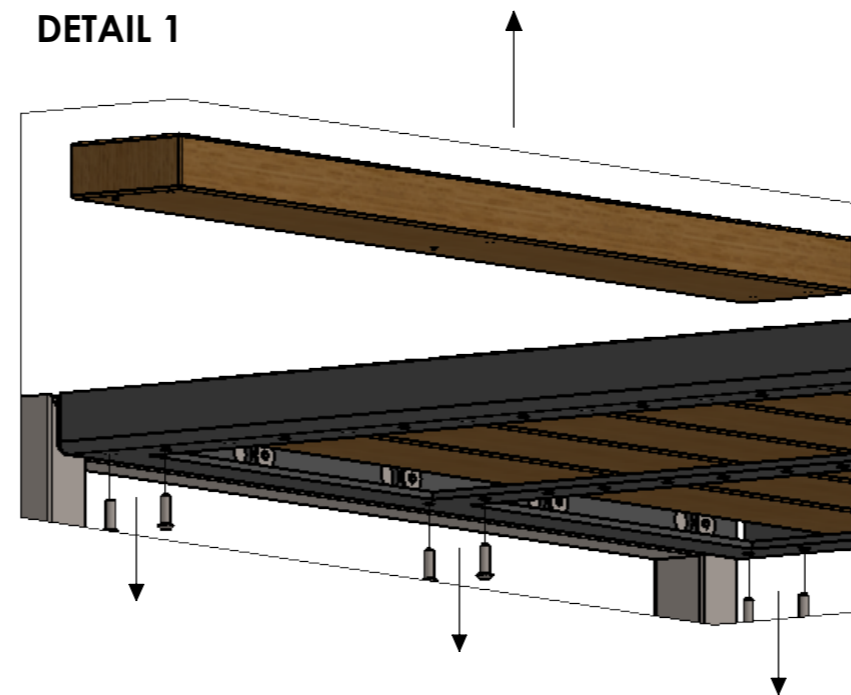
Långbordet furniture system

End of Life

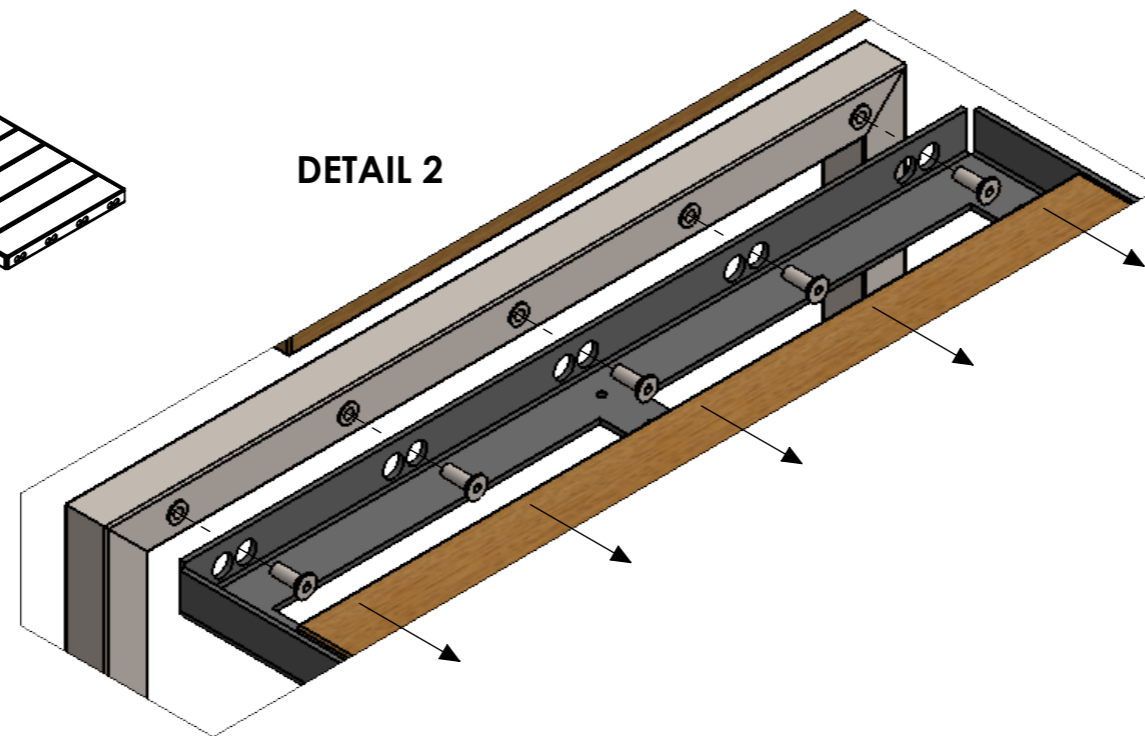
Ritad av Odin Sollie
Ritad datum 2025-02-26



DETAIL 1



DETAIL 2



Refurbishing, Dismantling, Recycling

For replacement or repairs of single planks unscrew from the cassettes and replace them. All screws are accessible from underneath.

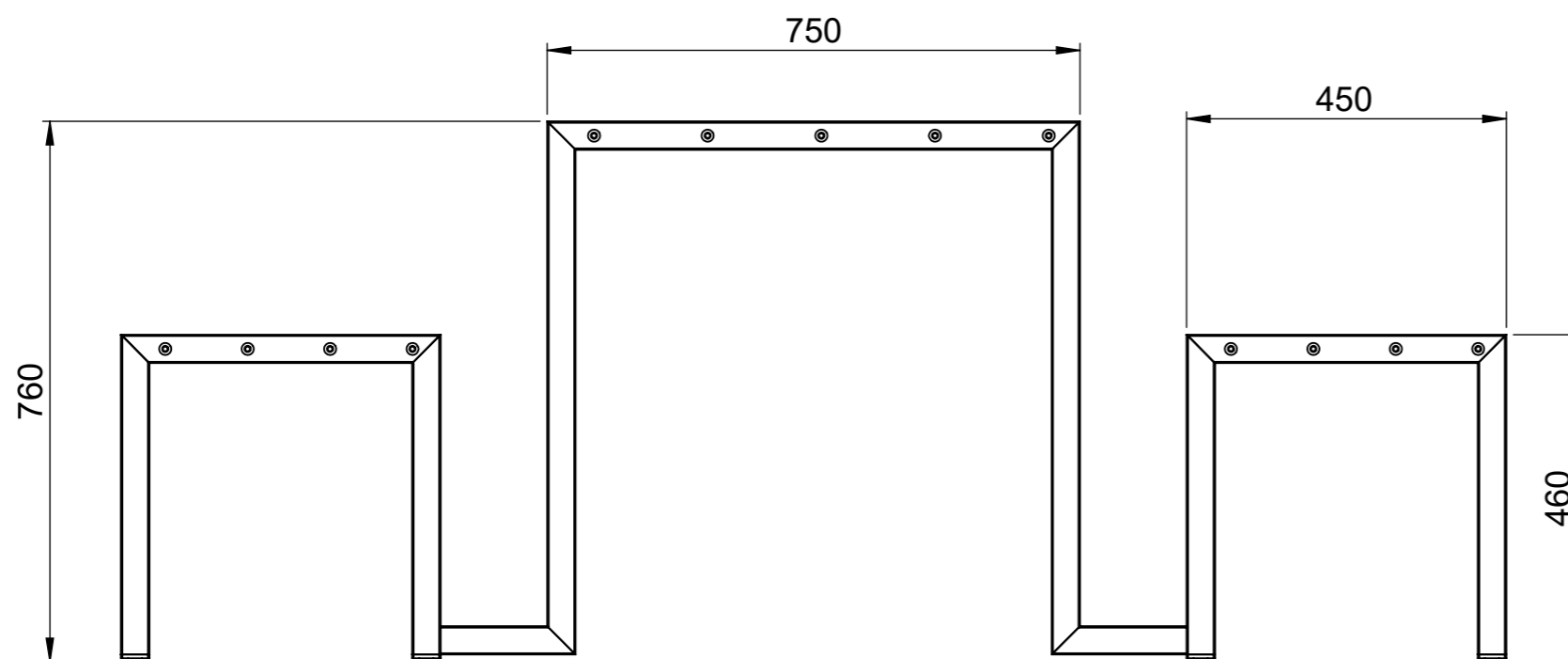
For major repairs or recycling of any larger pieces, the furniture should be taken apart in reverse assembly order.

Remove the end planks and unscrew the cassettes from the leg modules. Dismount the leg modules from the ground if needed. These can then be sent back to a supplier or an appropriate place of recycling in a compact fashion.

Långbordet furniture system

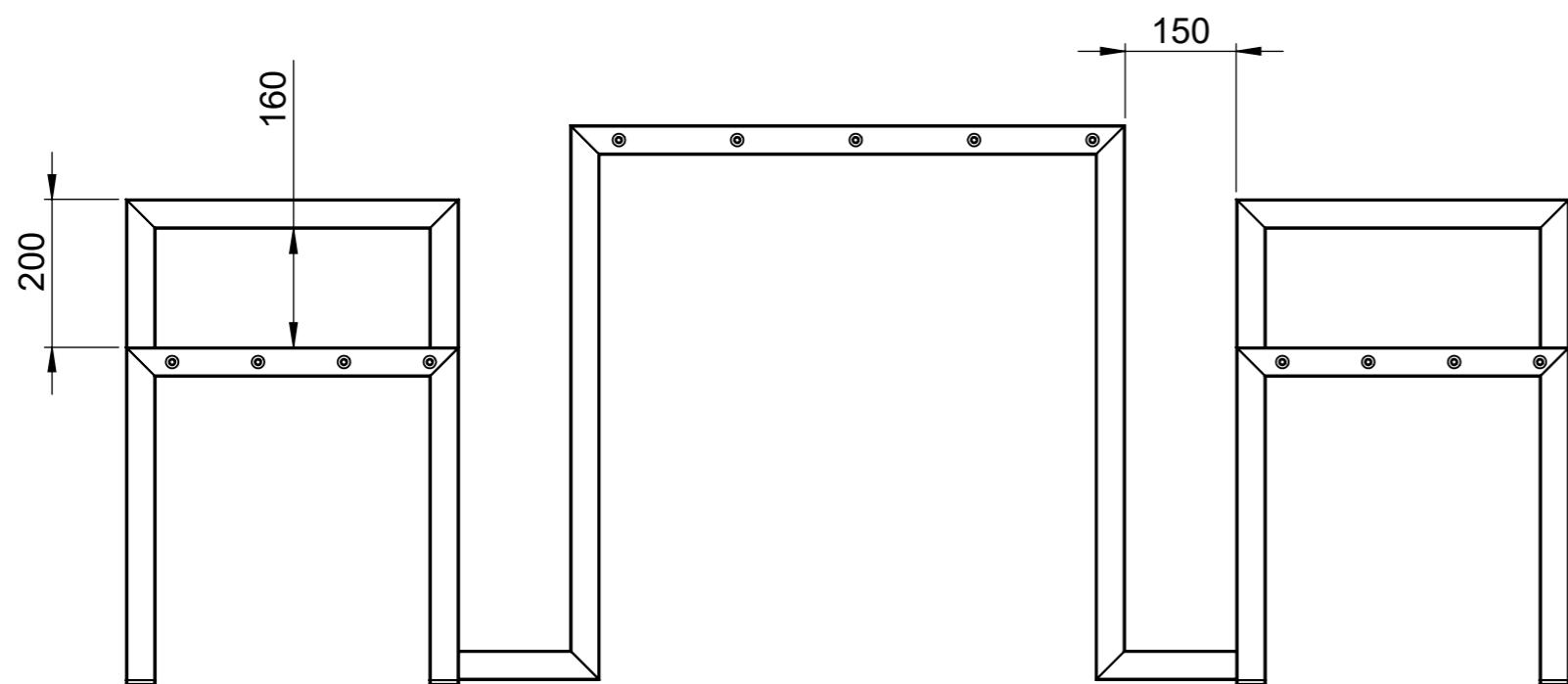
Leg modules

Ritad av Odin Sollie
Ritad datum 2025-02-26

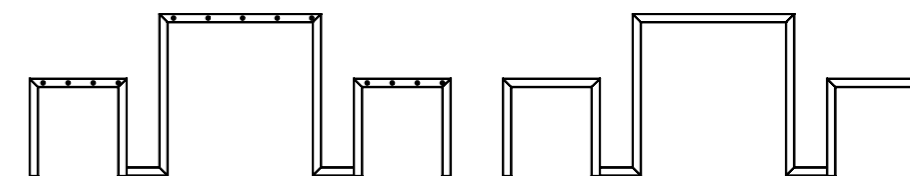


U17-80 Långbordet outer leg module w/o armrest
U17-80M Långbordet inner leg module w/o armrest

Weight 18 kg.
Including 4 pcs adjustable feet. Final assembly required.



The only difference between an outer and an inner leg module is that the middle one has threaded holes on both sides for connecting two bench/table modules with each other. The outer leg module only has holes on one side while the other is smooth.

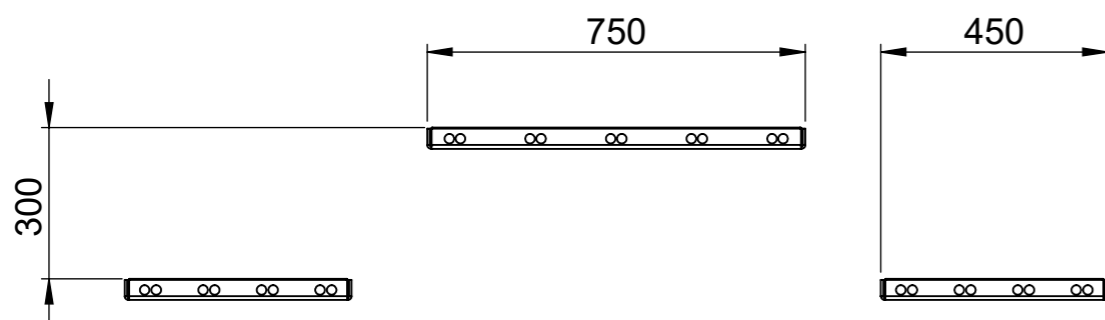


U17-80-A Långbordet outer leg module w armrest
U17-80MA Långbordet inner leg module w armrest

Weight 23,5 kg.
Including 4 pcs adjustable feet. Final assembly required.

Långbordet furniture system U17-81

Ritad av Odin Sollie
Ritad datum 2025-02-26

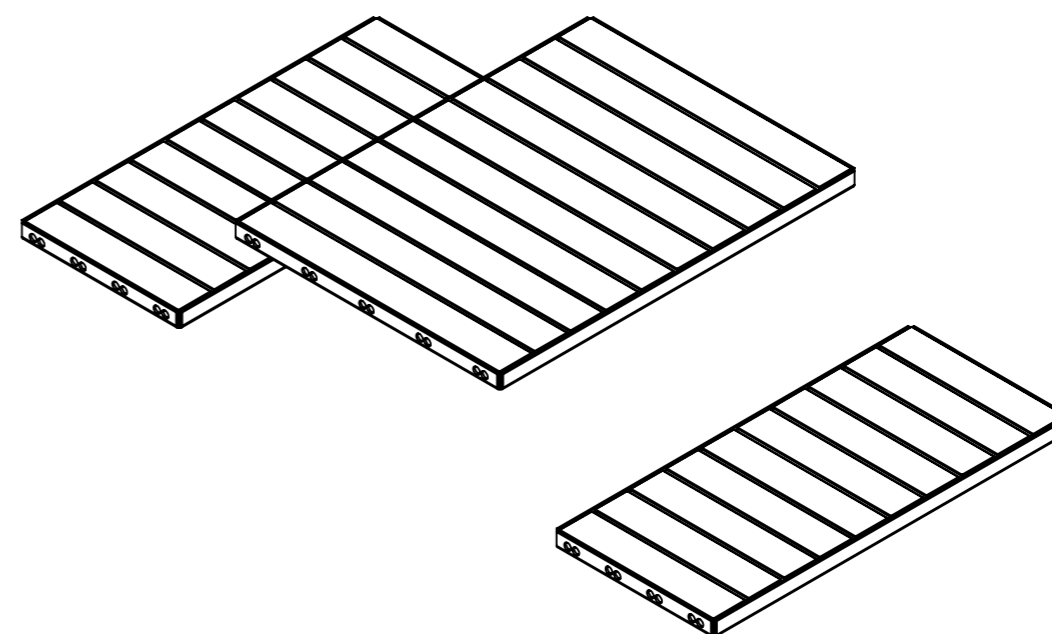
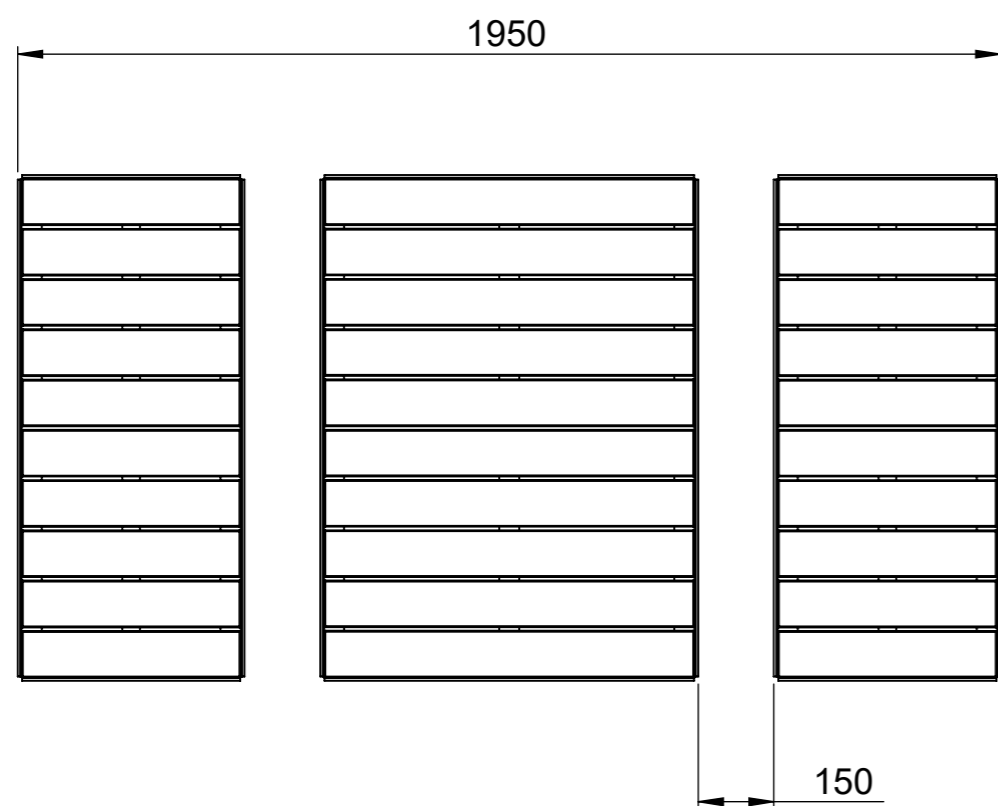


U17-81 Långbordet 1000 mm
full bench + table + full bench

Weight 64 kg.

The cassettes are delivered with planks mounted.
Assembly with leg modules required.

The views show the relations and dimensions of the table
and benches when mounted to the leg modules.



Långbordet furniture system U17-82-HH

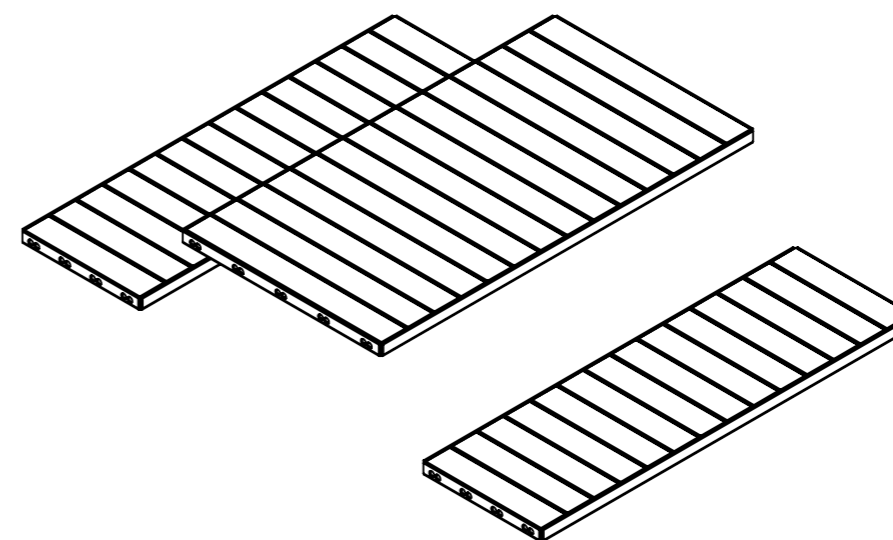
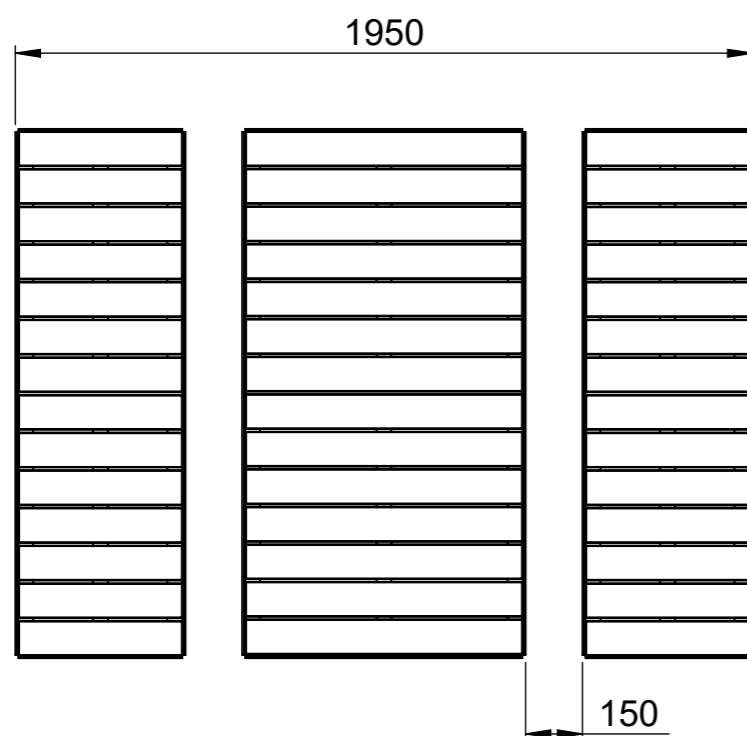
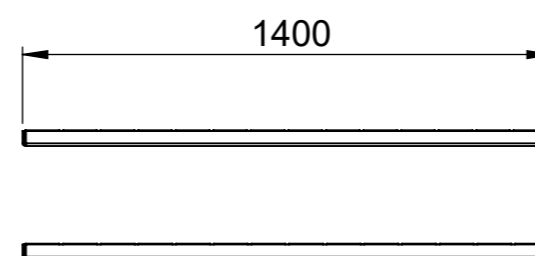
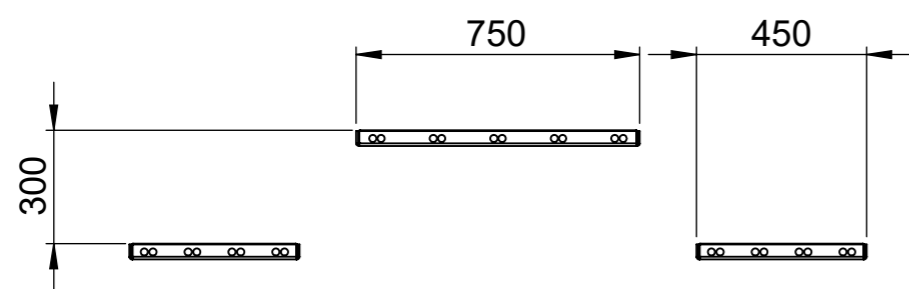
Ritad av Odin Sollie
Ritad datum 2025-02-26

U17-82-HH Långbordet 1400 mm
full bench + table + full bench

Weight 86 kg.

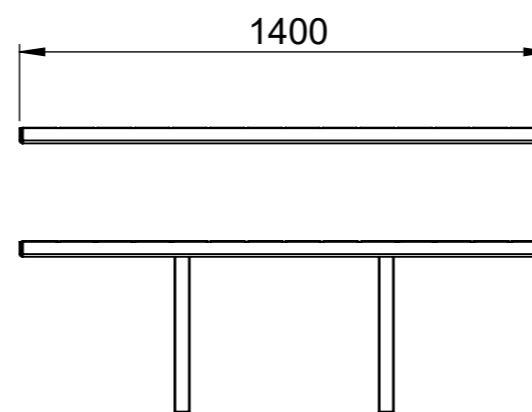
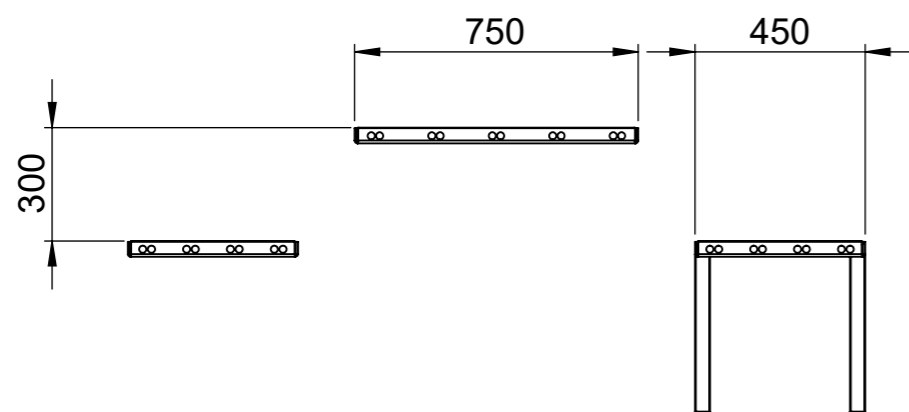
The cassettes are delivered with planks mounted.
Assembly with leg modules required.

The views show the relations and dimensions of the table
and benches when mounted to the leg modules.



Långbordet furniture system U17-82-UH

Ritad av Odin Sollie
Ritad datum 2025-02-26

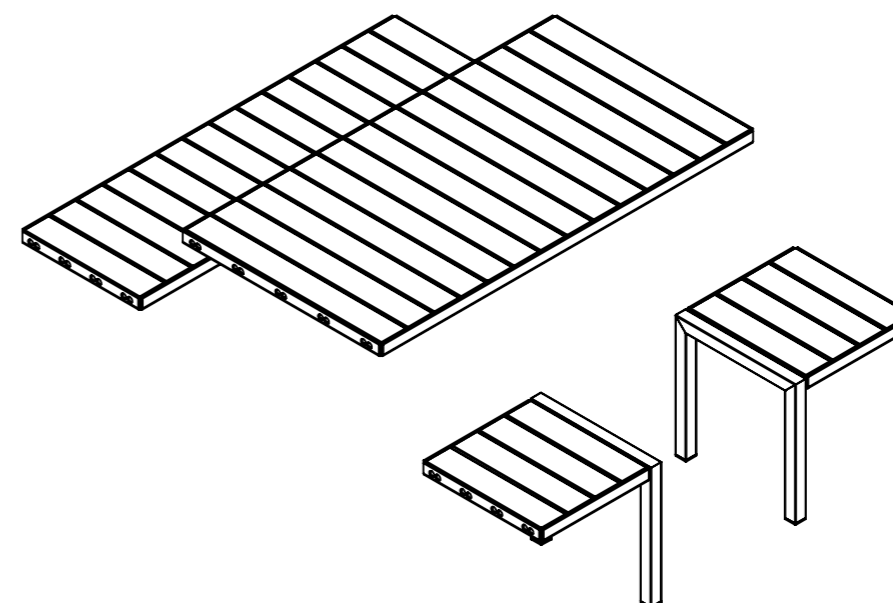
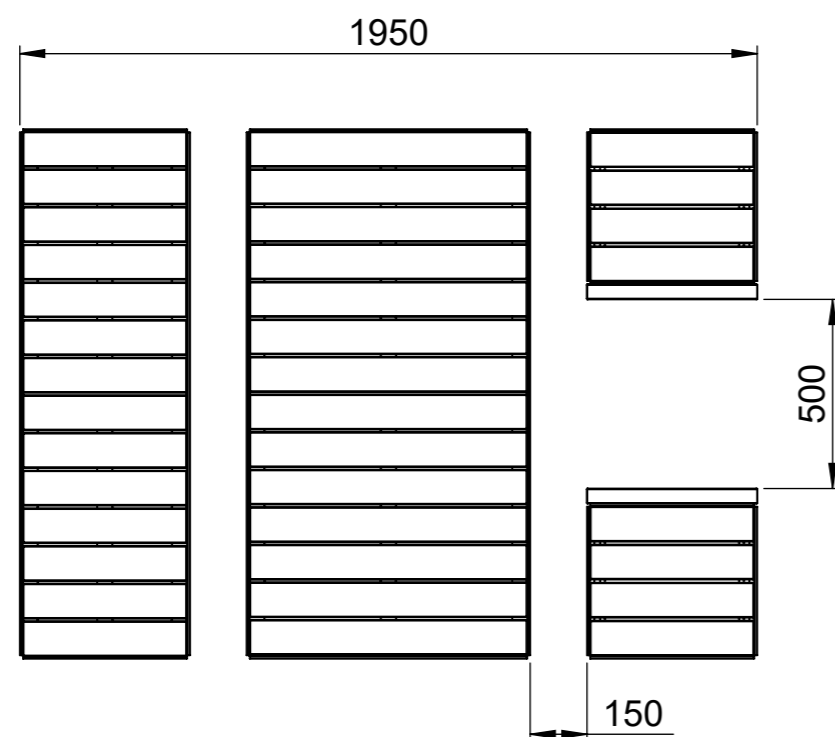


U17-82-UH Långbordet 1400 mm
divided bench + table + full bench

Weight 85,5 kg.

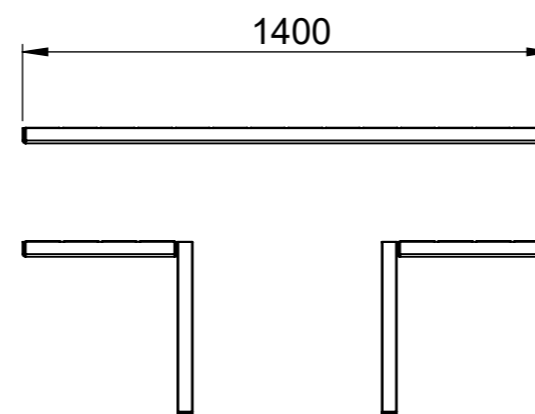
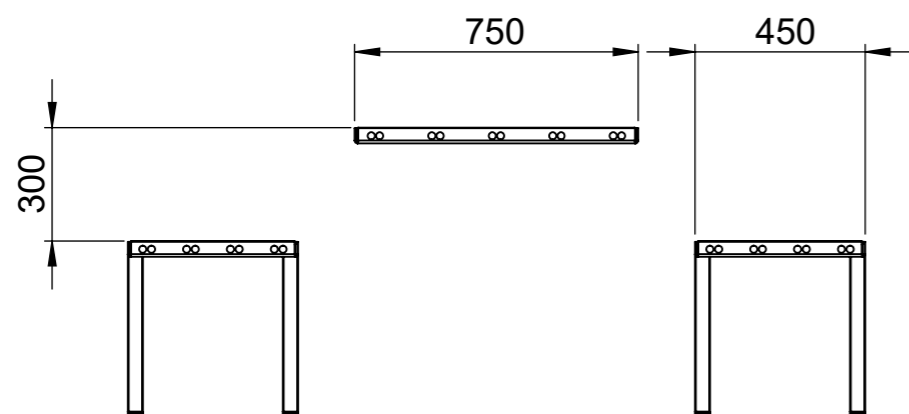
The cassettes are delivered with planks mounted.
Assembly with leg modules required.

The views show the relations and dimensions of the table
and benches when mounted to the leg modules.



Långbordet furniture system U17-82-UU

Ritad av Odin Sollie
Ritad datum 2025-02-26

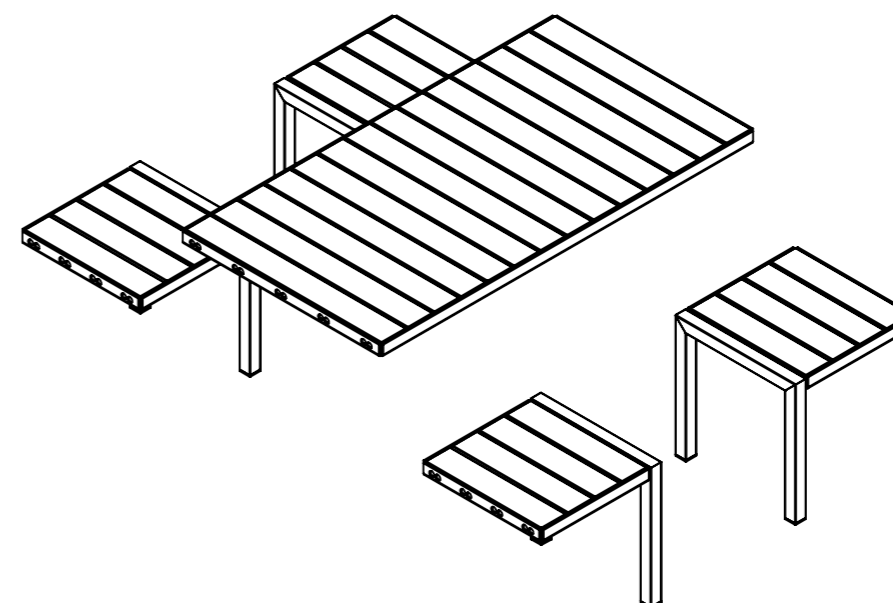
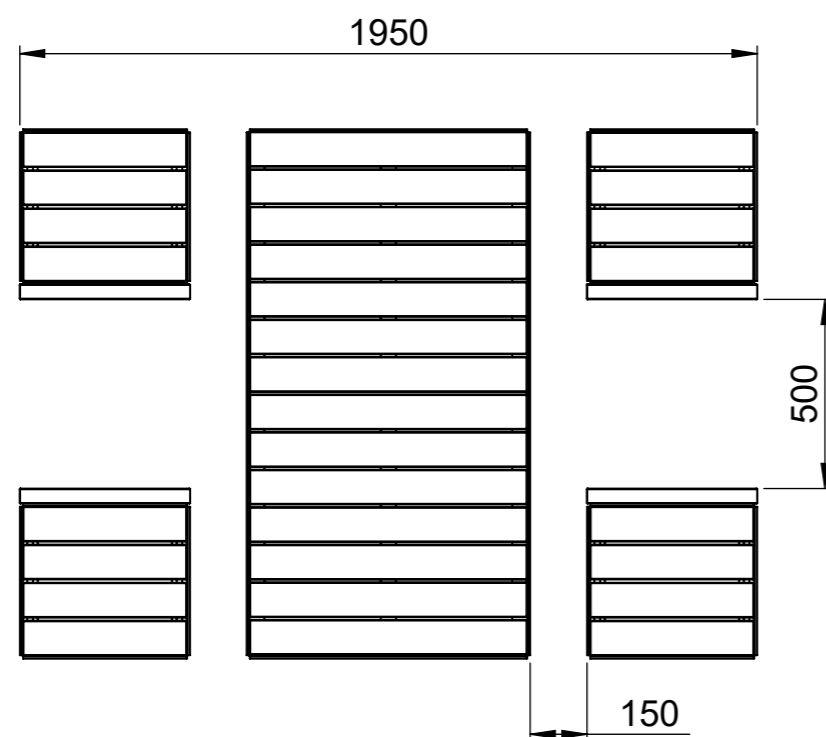


U17-82-UU Långbordet 1400 mm
split bench + table + split bench

Weight 85 kg.

The cassettes are delivered with planks mounted.
Assembly with leg modules required.

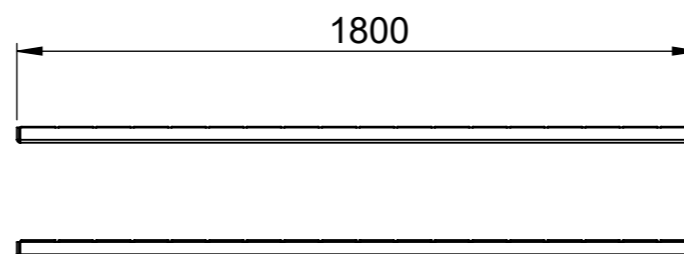
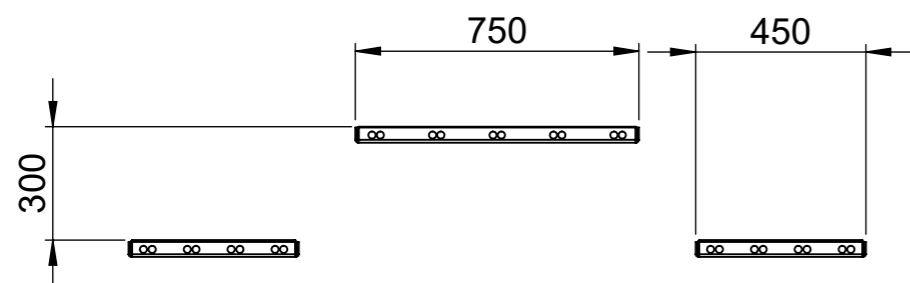
The views show the relations and dimensions of the table
and benches when mounted to the leg modules.



Långbordet furniture system

U17-83-HH

Ritad av Odin Sollie
Ritad datum 2025-02-26

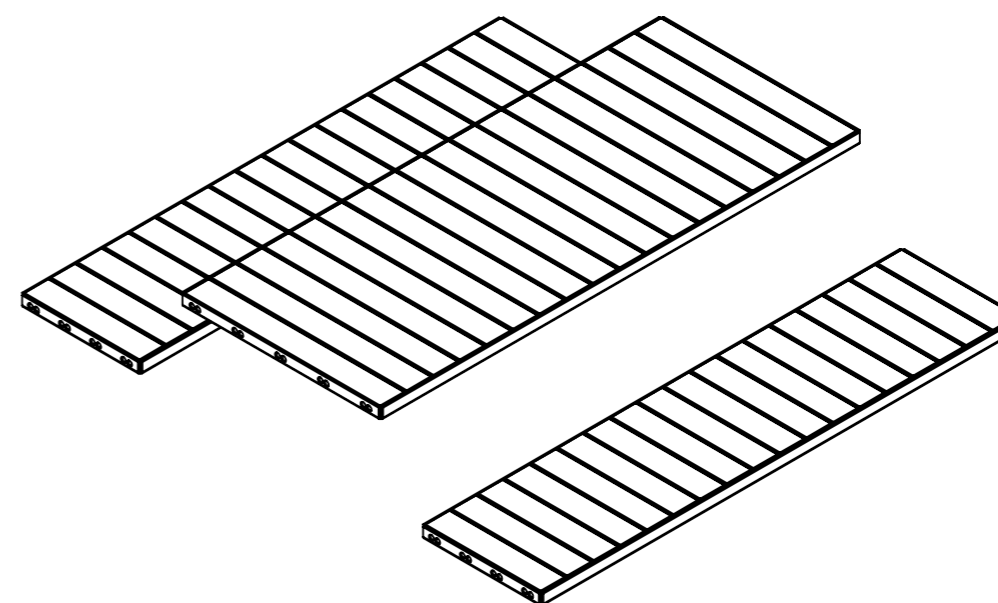
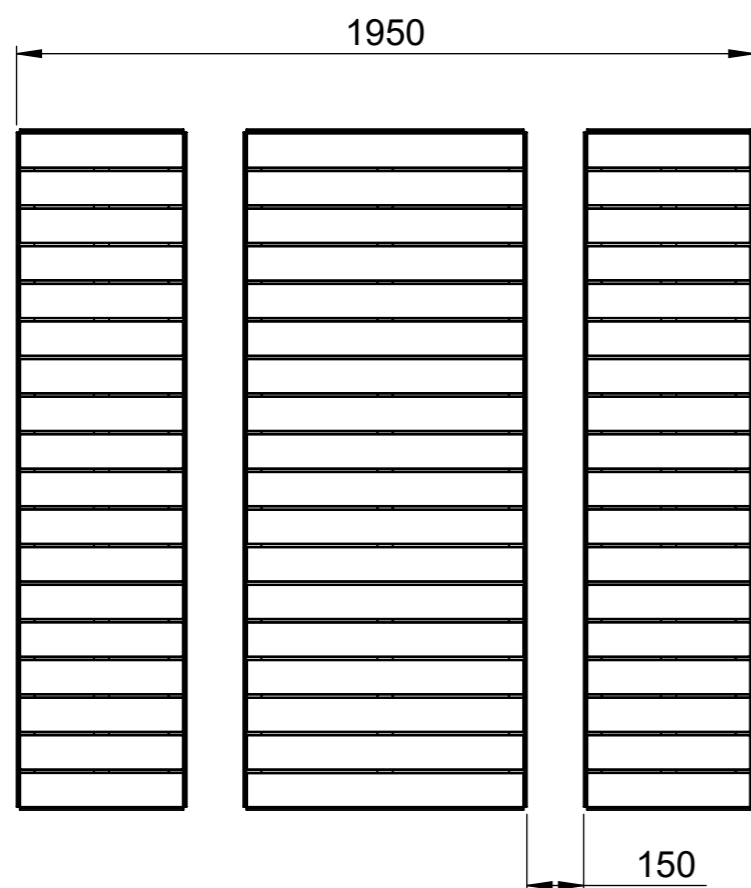


U17-83-HH Långbordet 1800 mm
full bench + table + full bench

Weight 109 kg.

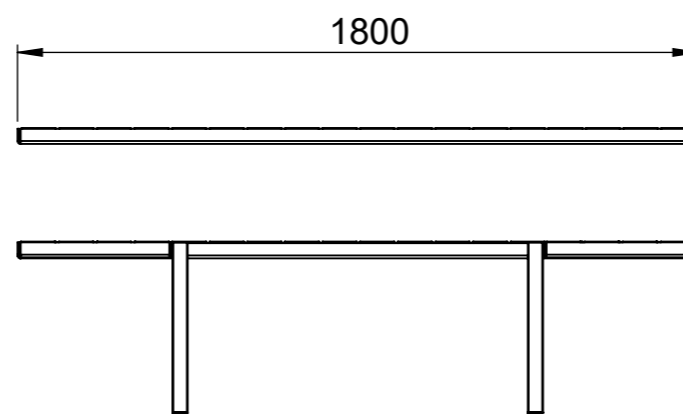
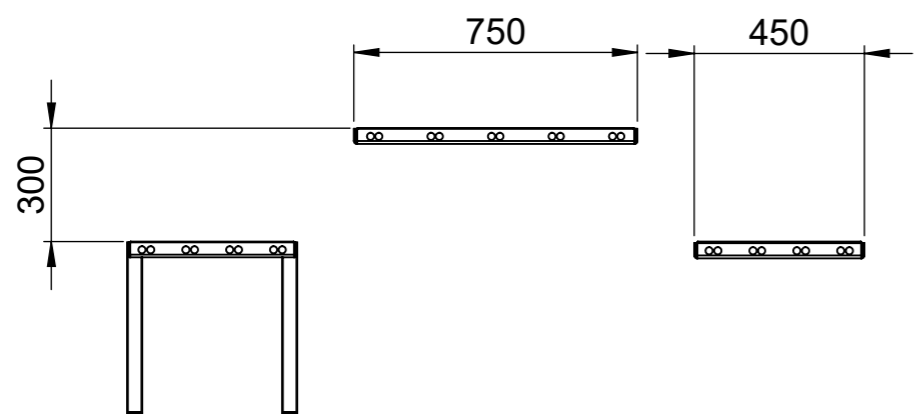
The cassettes are delivered with planks mounted.
Assembly with leg modules required.

The views show the relations and dimensions of the table and benches when mounted to the leg modules.



Långbordet furniture system U17-83-UH

Ritad av Odin Sollie
Ritad datum 2025-02-26

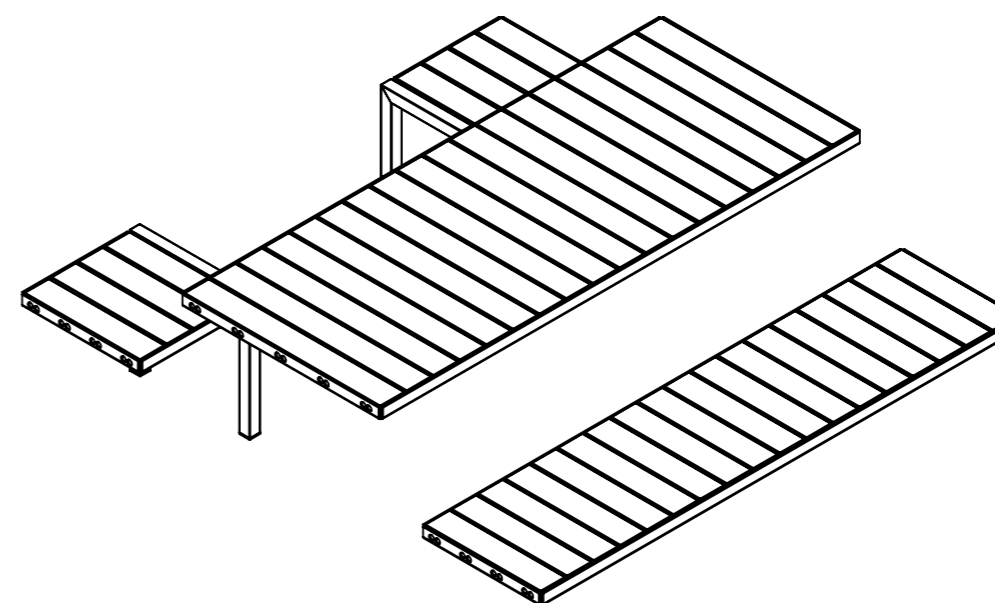
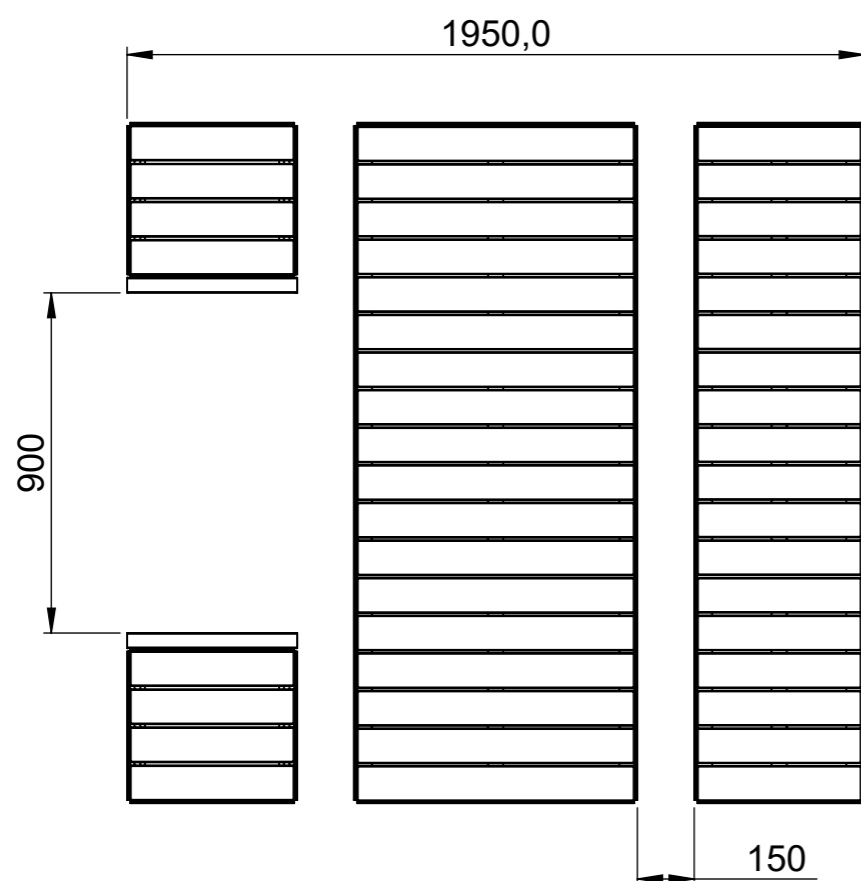


U17-83-UH Långbordet 1800 mm
split bench + table + full bench

Weight 102 kg.

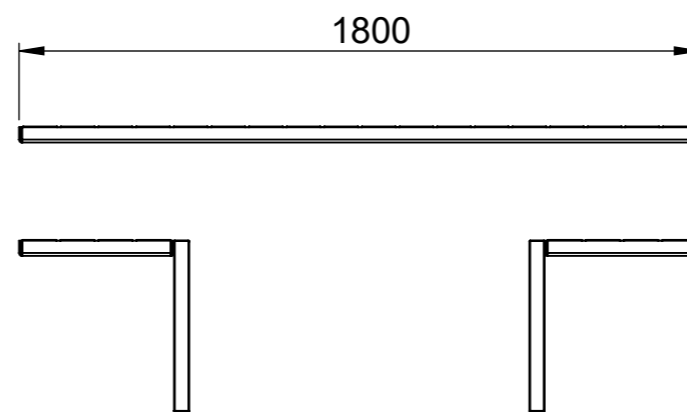
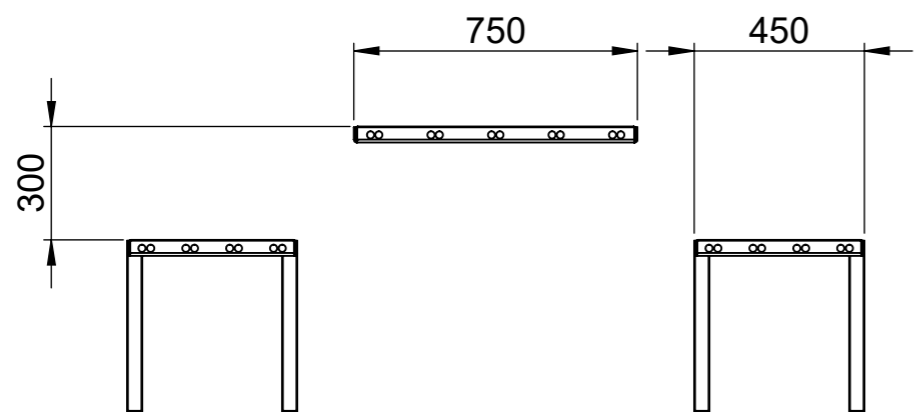
The cassettes are delivered with planks mounted.
Assembly with leg modules required.

The views show the relations and dimensions of the table
and benches when mounted to the leg modules.



Långbordet furniture system U17-83-UU

Ritad av Odin Sollie
Ritad datum 2025-02-26

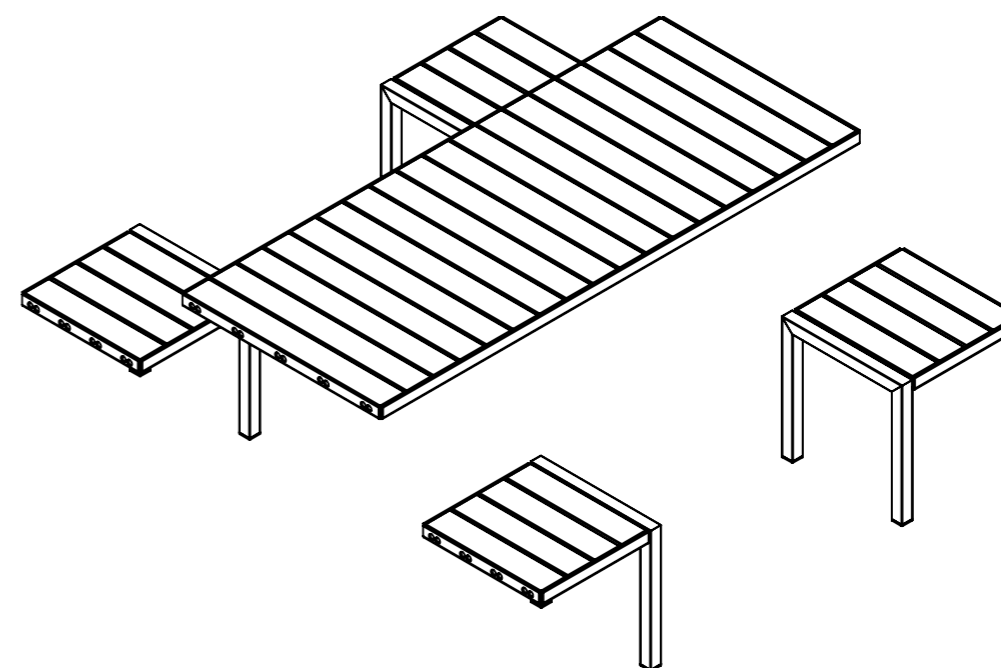
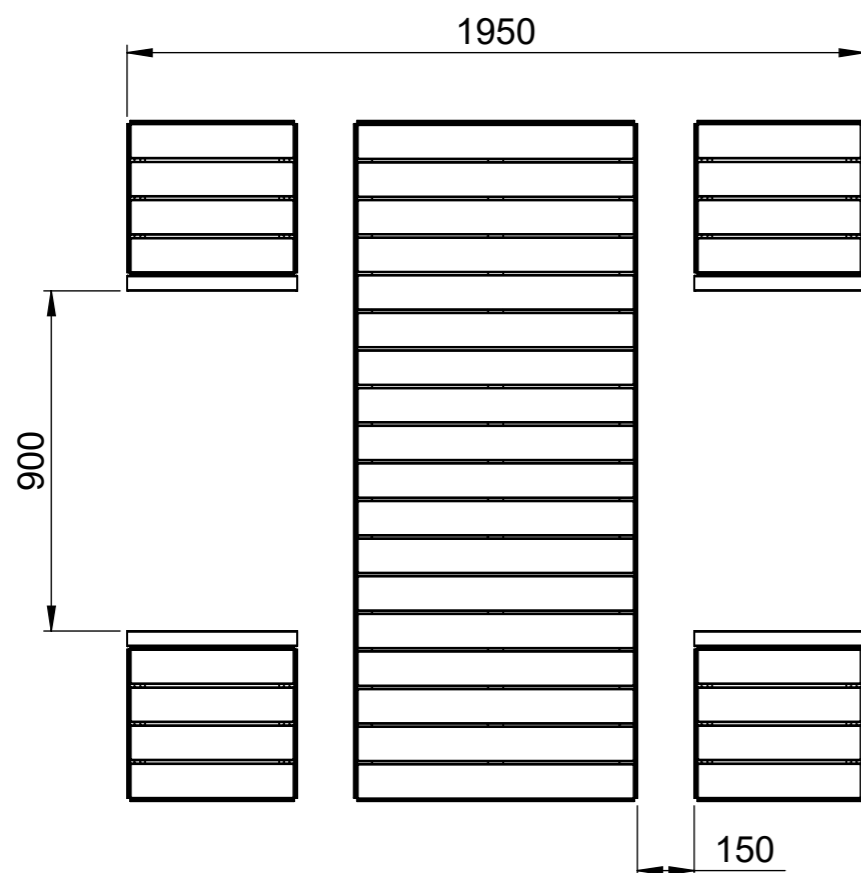


U17-83-UU Långbordet 1800 mm
split bench + table + split bench

Weight 97 kg.

The cassettes are delivered with planks mounted.
Assembly with leg modules required.

The views show the relations and dimensions of the table
and benches when mounted to the leg modules.



Långbordet furniture system U17-83-R

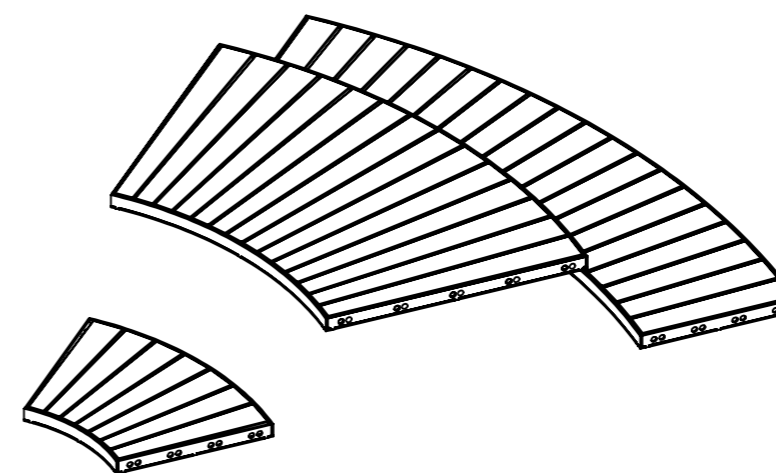
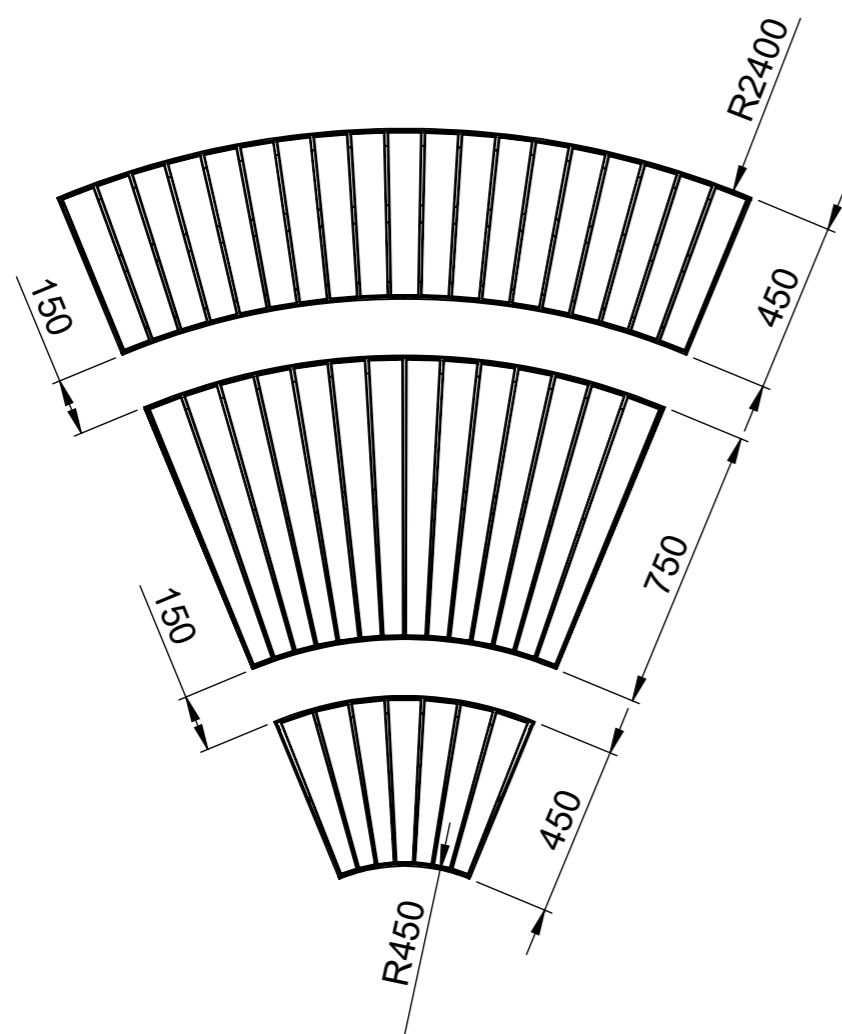
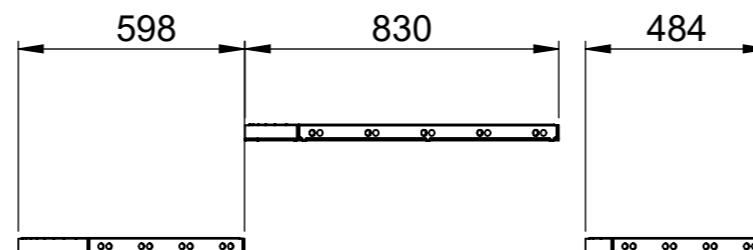
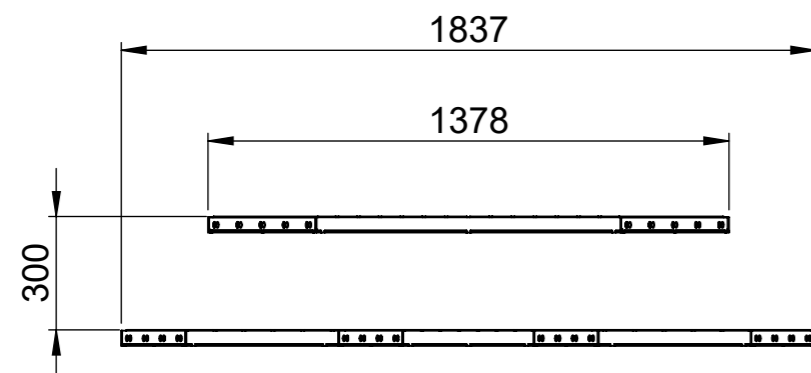
Ritad av Odin Sollie
Ritad datum 2025-02-26

U17-84-R Långbordet Radiemodul 45°

Weight 70 kg.

The cassettes are delivered with planks mounted.
Assembly with leg modules required.

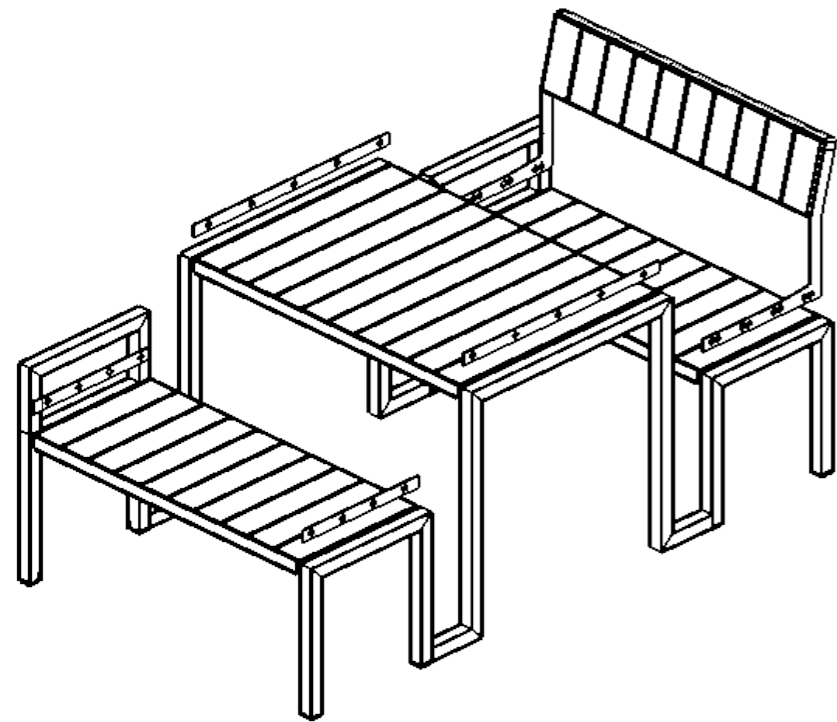
The views show the relations and dimensions of the table and benches when mounted to the leg modules.



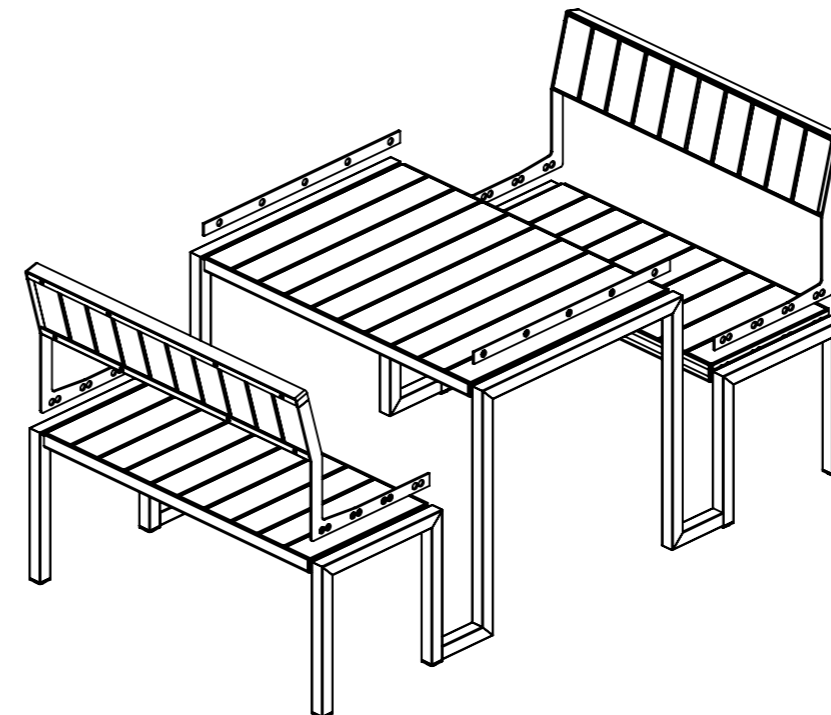
Långbordet möbelsystem

Backrest instructions

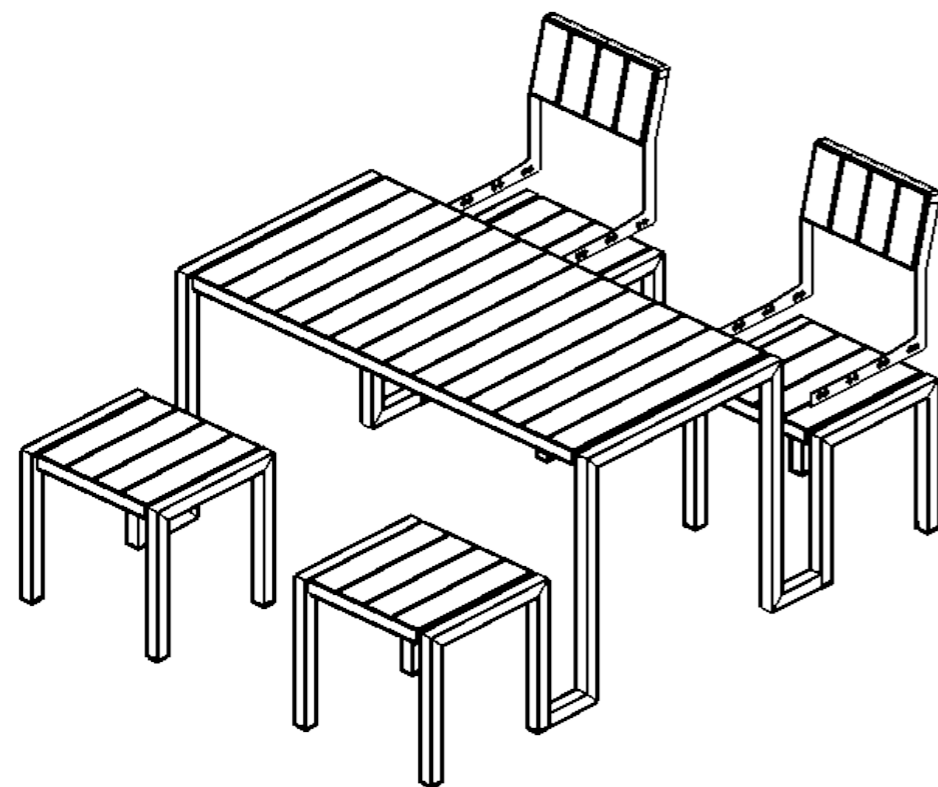
Ritad av Odin Sollie
Ritad datum 2025-02-26



Adding one backrest to a 1000 or 1400 module requires that one set of bench spacers and table spacers each also are purchased and installed. This is to compensate for the increase in width produced by the backrest.



Adding backrests to both sides of a 1000 or 1400 module requires that one set of table spacers are purchased and installed. This is to compensate for the increase in width produced by the backrests.



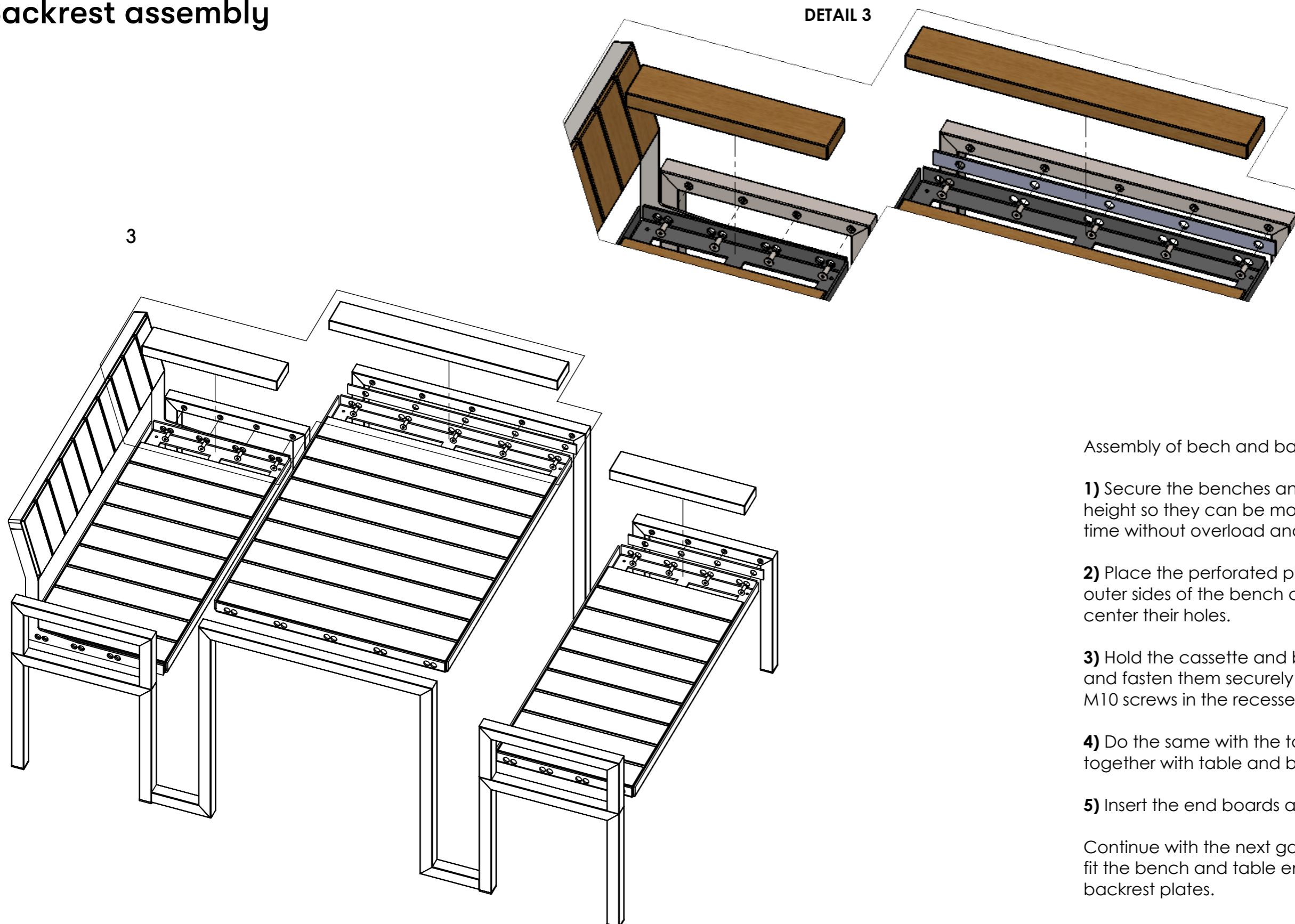
Adding split backrests to one or both sides of a bench-table module with split benches doesn't necessarily require table spacers. The 20 mm increase in width instead decreases the space between the split benches.

ATTENTION! For addition of split backrests to an 1800 module with wheelchair space, table spacers are still recommended to not fall under the 900 mm required by wheelchairs in some contexts.

Långbordet möbelsystem

Backrest assembly

Ritad av Odin Sollie
Ritad datum 2025-02-26



Assembly of bench and backrest.

- 1)** Secure the benches and tables at approximately final height so they can be mounted against one gable at a time without overload and bending.
- 2)** Place the perforated plates of the backrest along the outer sides of the bench cassette's short sides and center their holes.
- 3)** Hold the cassette and backrest plate to the gable and fasten them securely with the supplied countersunk M10 screws in the recessed threads.
- 4)** Do the same with the table and bench spacers together with table and bench, for the same end.
- 5)** Insert the end boards and screw in place.

Continue with the next gable on the other side and fit the bench and table ends with spacers and backrest plates.

Långbordet möbelsystem

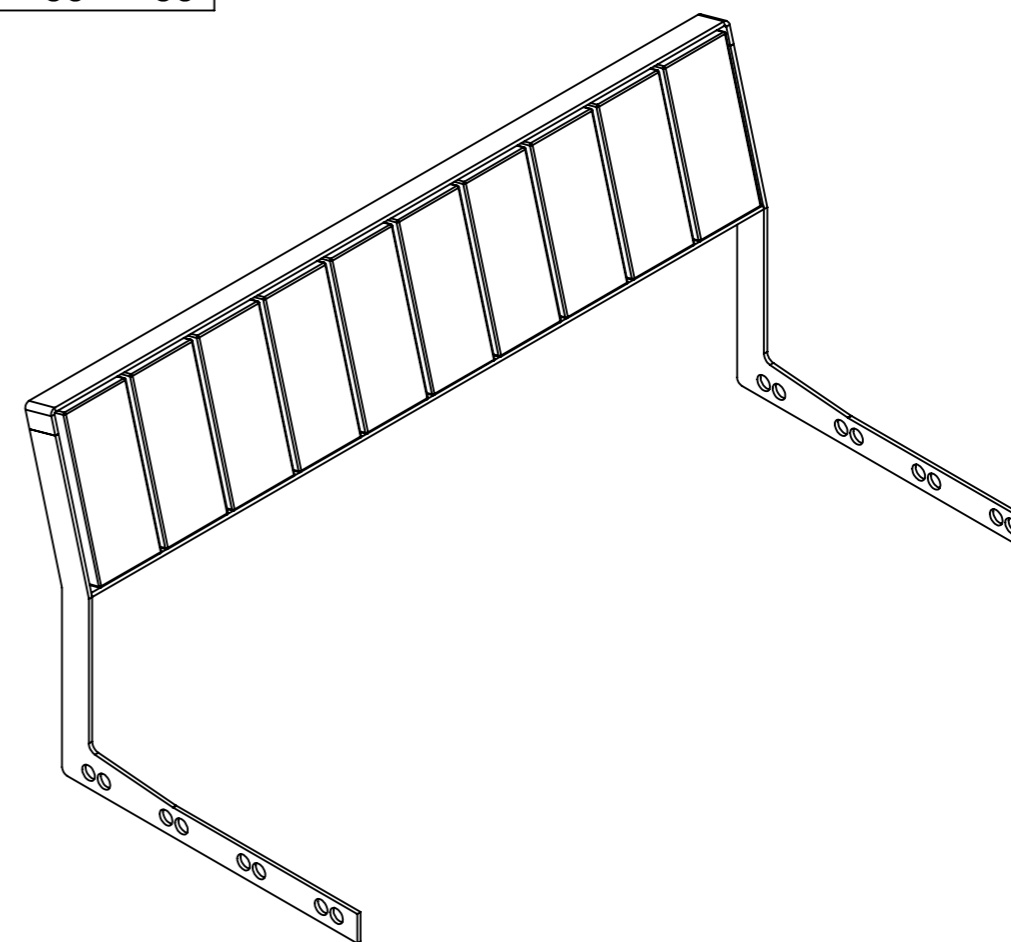
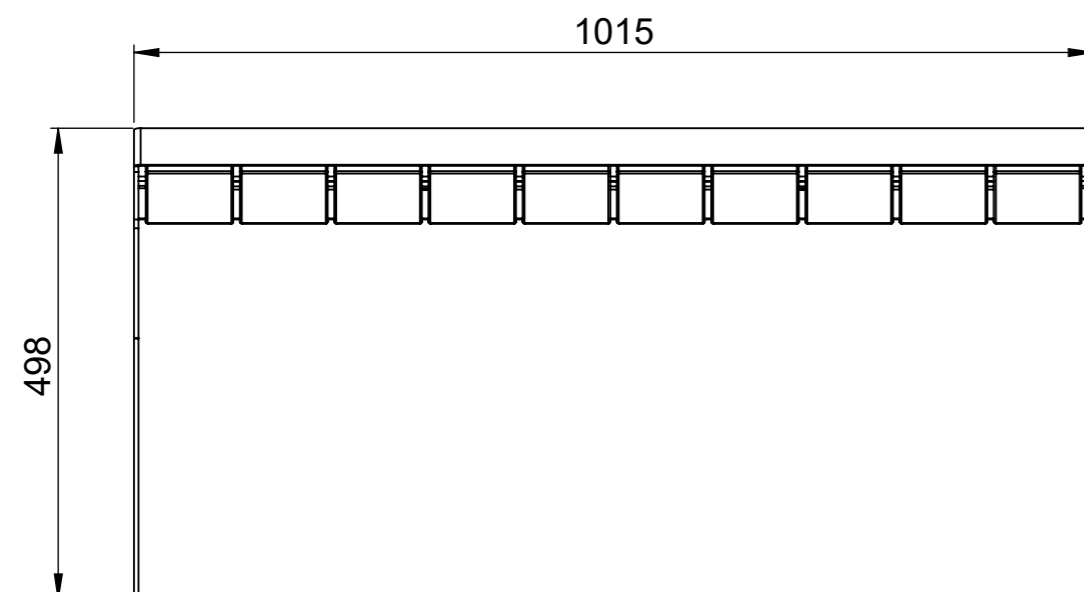
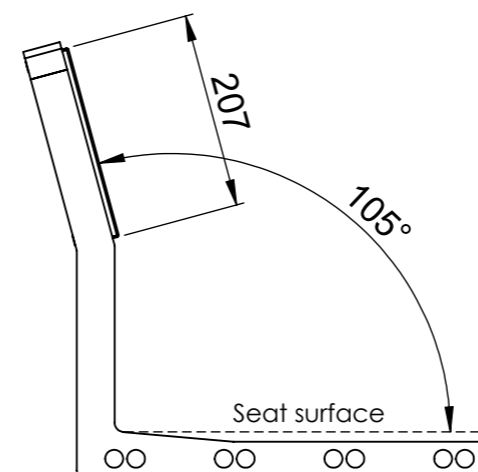
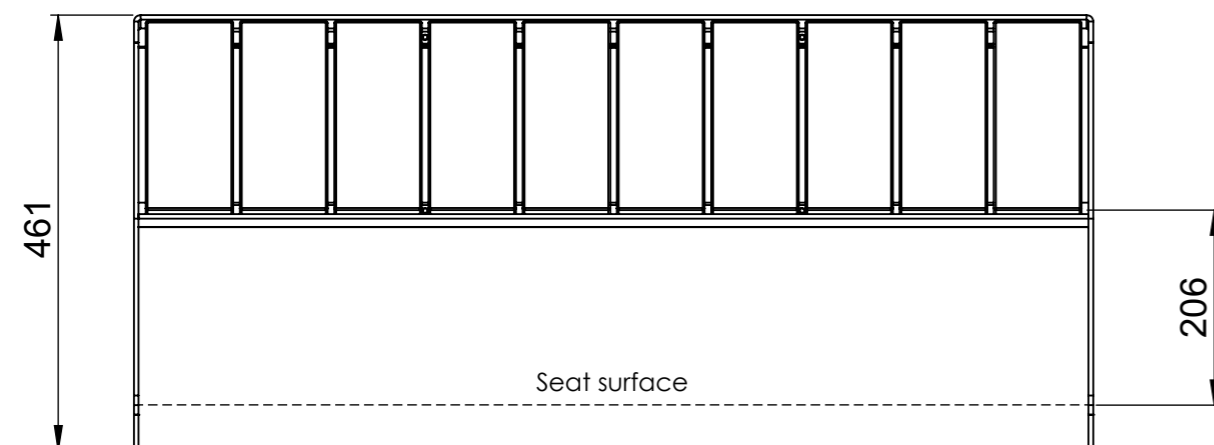
U17-81-H-Rygg

Ritad av Odin Sollie
Ritad datum 2025-02-26

U17-81-H-Rygg Långbordet Backrest 1000

Weight 12 kg.

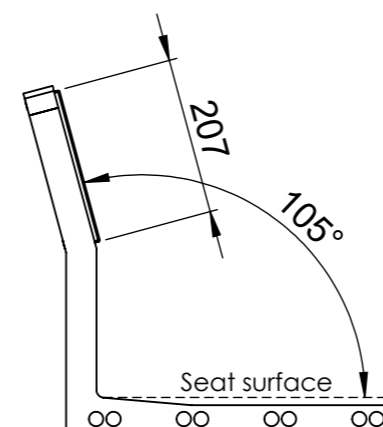
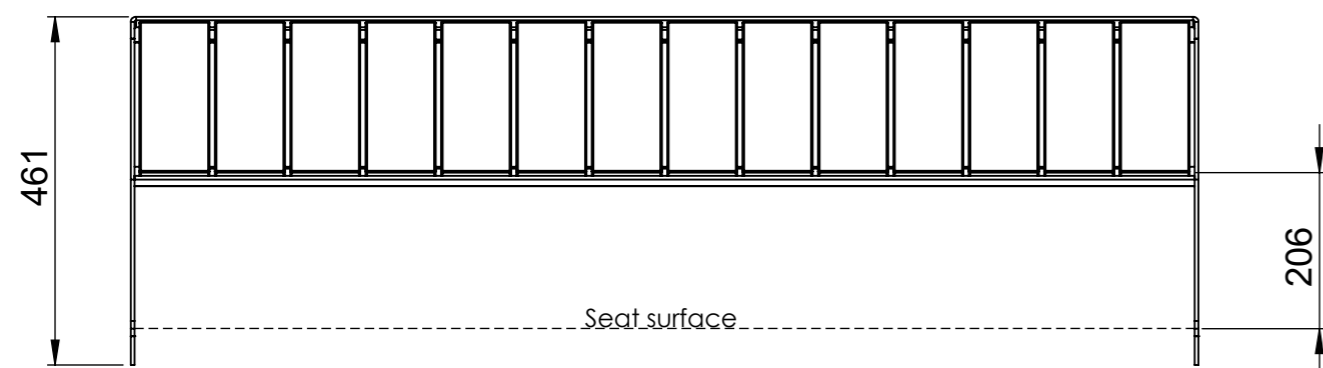
The backrest is delivered with planks mounted.
Assembly with bench and leg modules required.



Långbordet möbelsystem

U17-82-H-Rygg

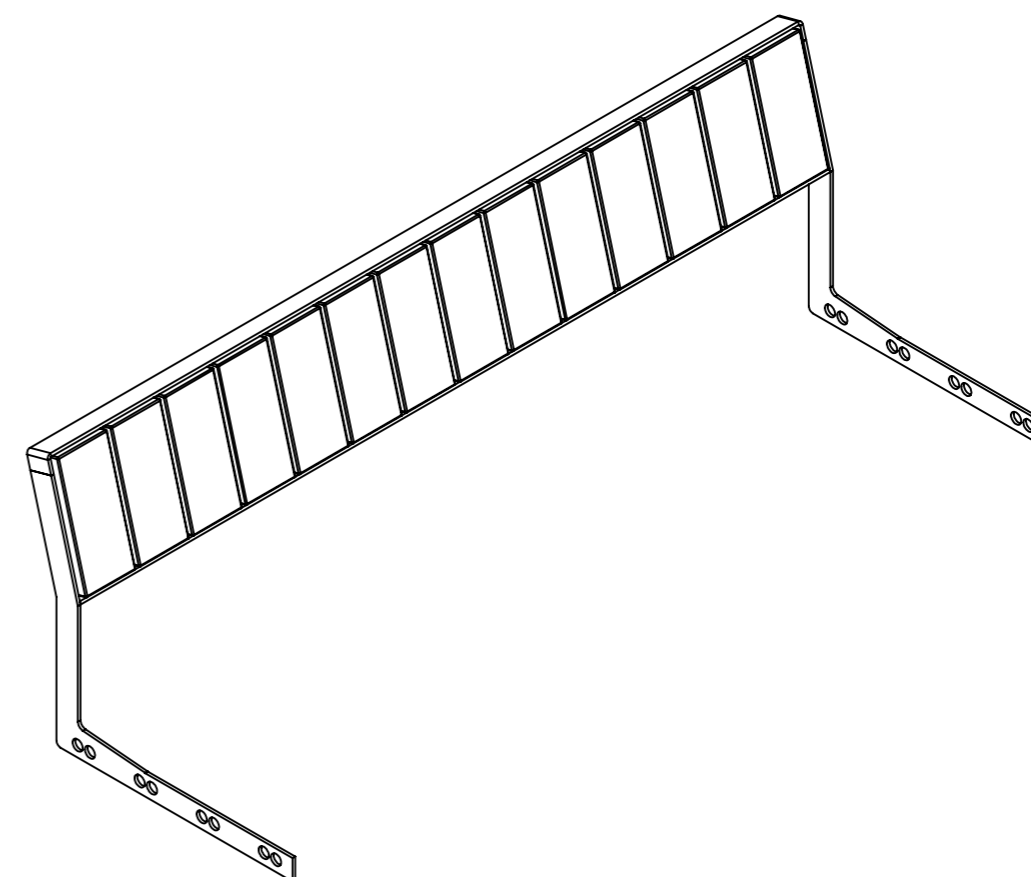
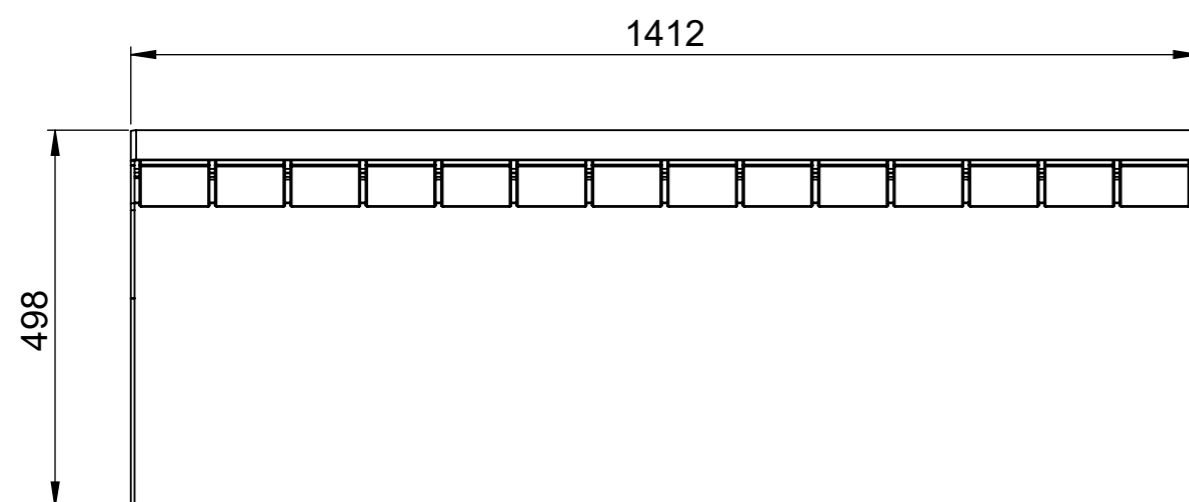
Ritad av Odin Sollie
Ritad datum 2025-02-26



U17-82-H-Rygg Långbordet backrest 1400

Weight 16 kg.

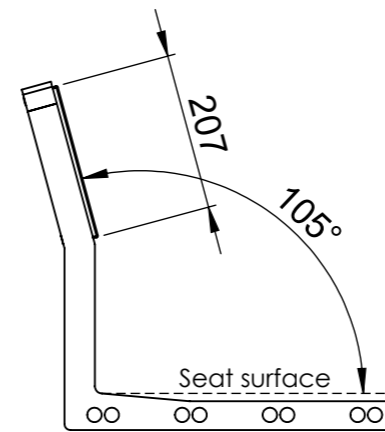
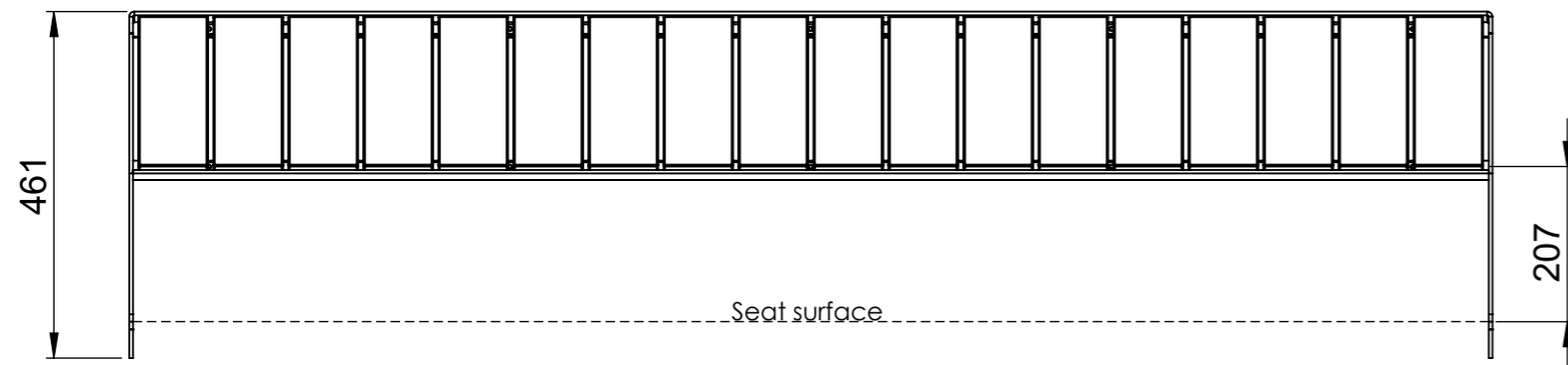
The backrest is delivered with planks mounted.
Assembly with bench and leg modules required.



Långbordet möbelsystem

U17-83-H-Rygg

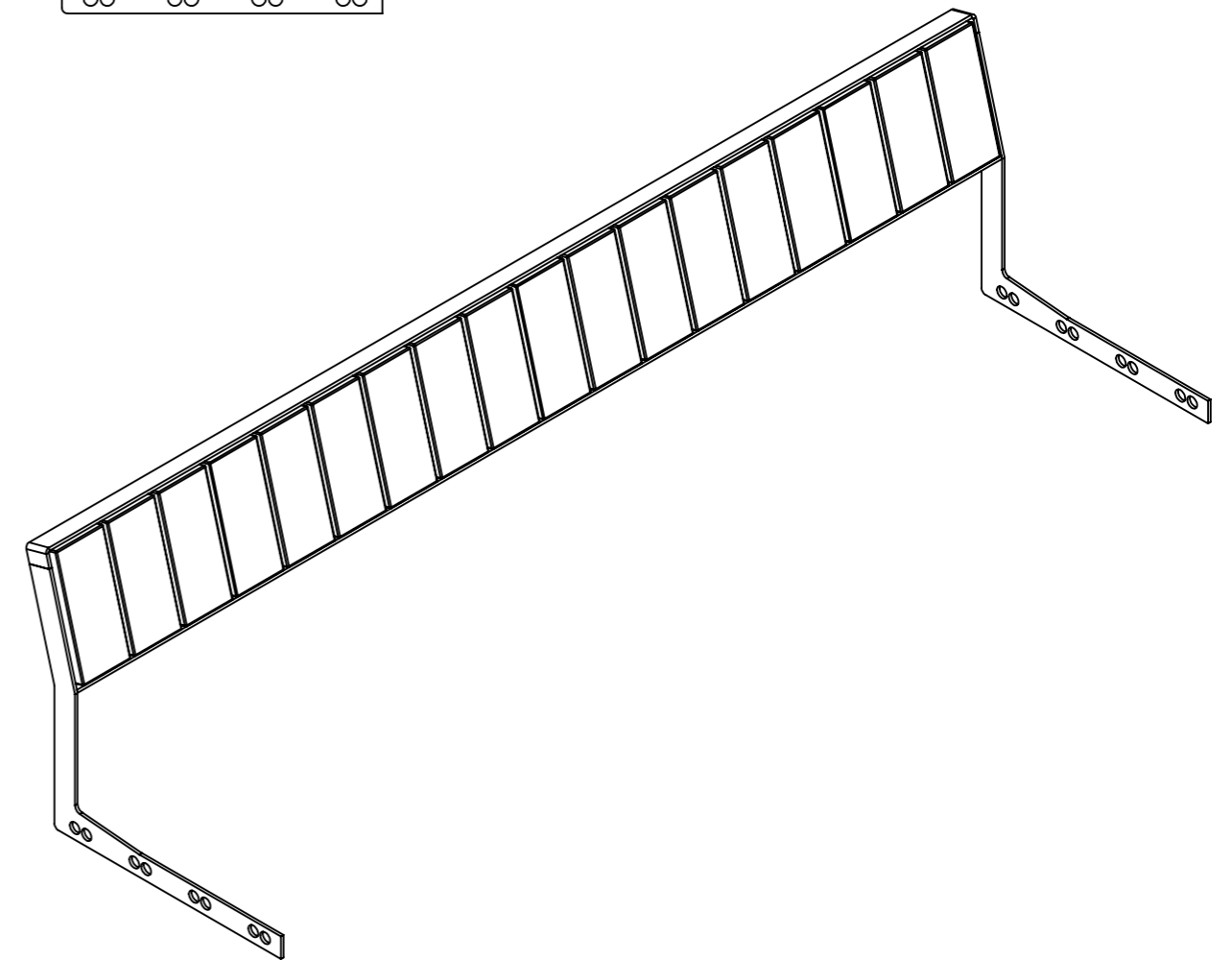
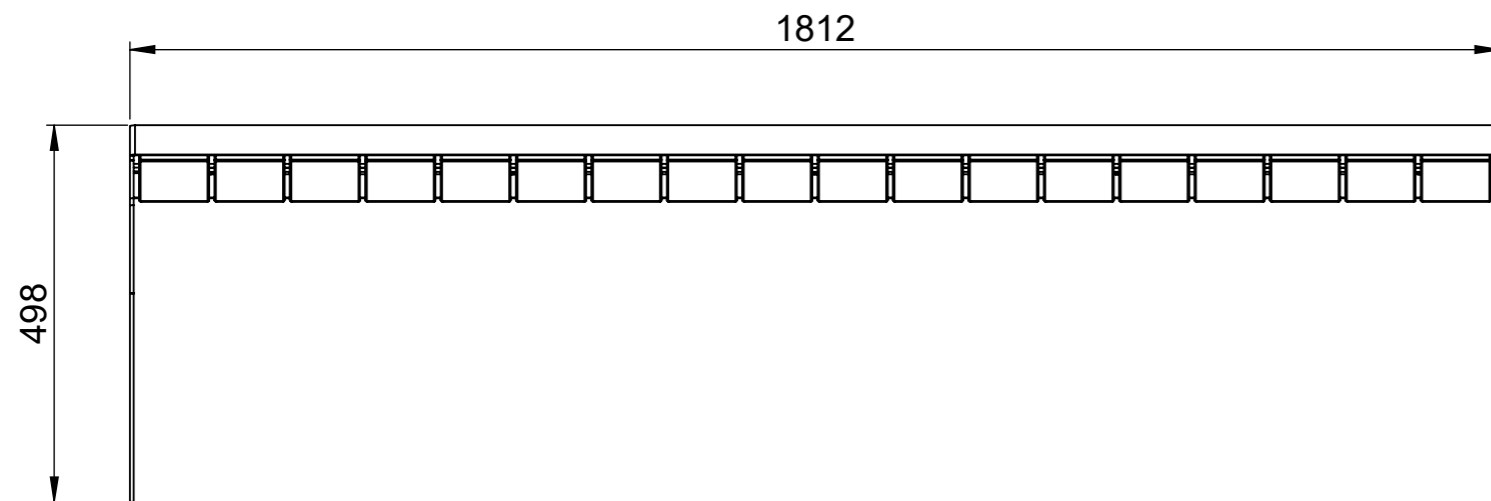
Ritad av Odin Sollie
Ritad datum 2025-02-26



U17-83-H-Rygg Långbordet backrest 1800

Weight 20 kg.

The backrest is delivered with planks mounted.
Assembly with bench and leg modules required.



Långbordet möbelsystem

U17-83-U-Rygg

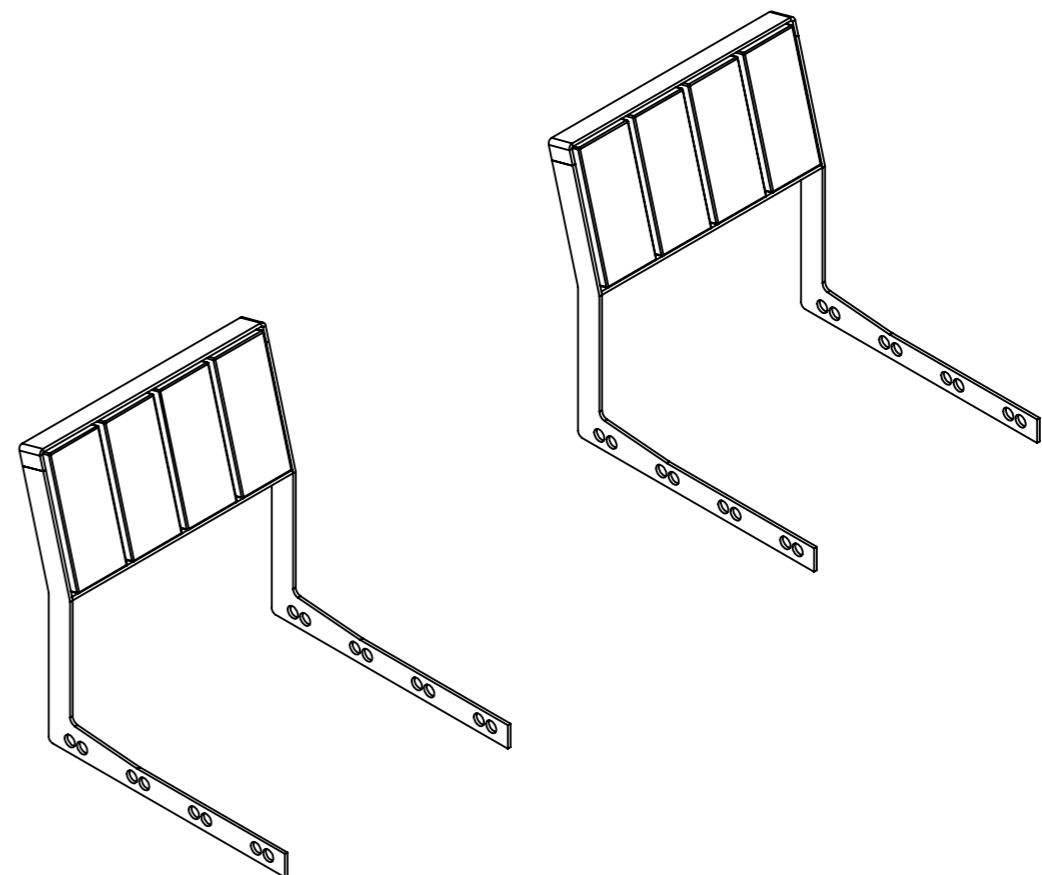
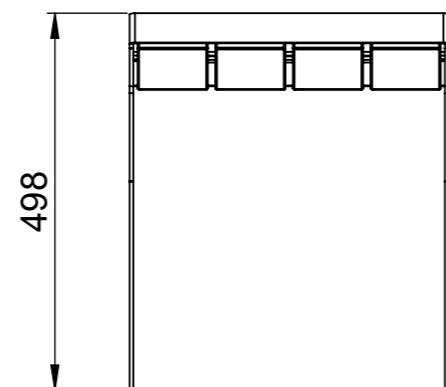
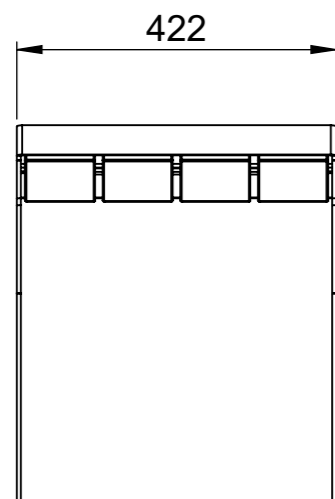
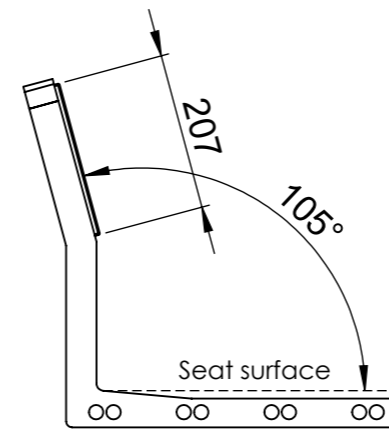
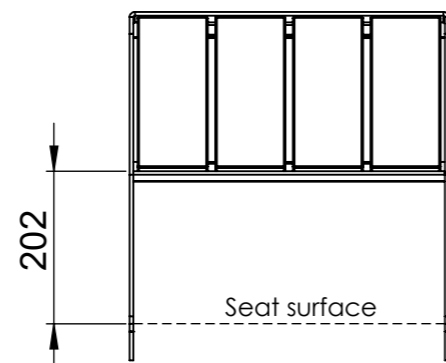
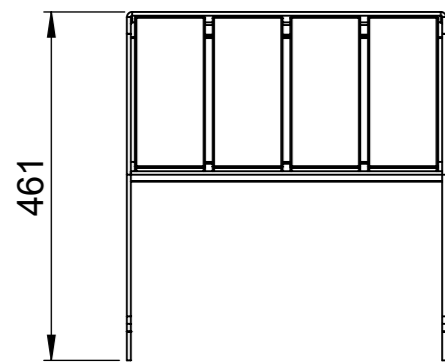
Ritad av Odin Sollie
Ritad datum 2025-02-26

U17-83-U-Rygg Långbordet Split Backrest

Includes 2 pcs of backrests

Weight 12,5 kg.

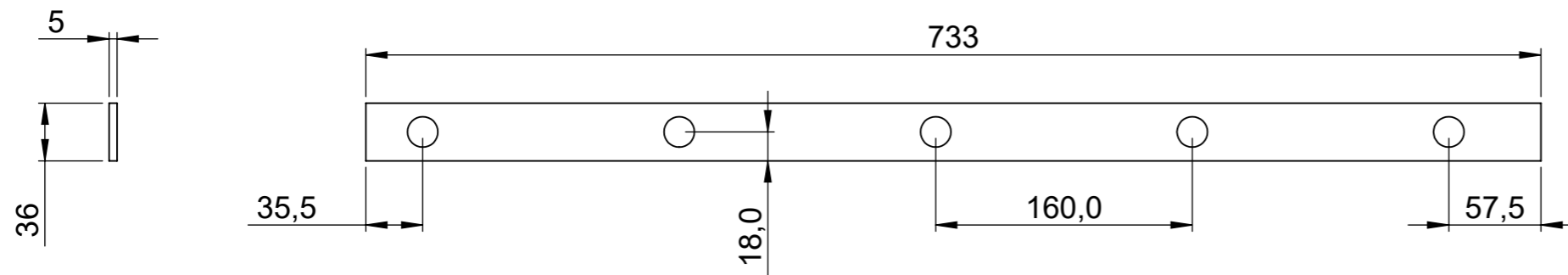
Delivered with planks mounted.
Assembly with bench and leg modules required.



Långbordet möbelsystem

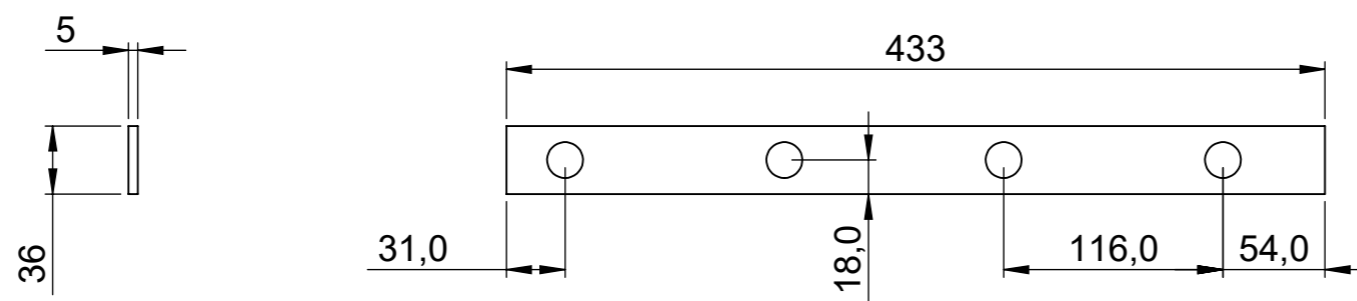
U17-80-DL / DK

Ritad av Odin Sollie
Ritad datum 2025-02-26



U17-80-DL Table Spacers (2 pcs)

Weight 1kg a piece



U17-80-DK Bench Spacers (2 pcs)

Weight 0.6kg a piece

Care and maintenance

- Products that are galvanized, yellow-chromated and polyester powder coated can be repaired with alkyd paint if damaged.

Oiled oak

Nola uses mainly American red oak in its furniture. The quality is very high, usually completely without any visible knots. Because of the high tannic acid content, it is a very durable wood in an outdoor environment. Unmaintained oak will develop black spots after a period of time. These appear quite soon after the product has been set up outside and may initially appear as almost entirely black. In environments with high levels of metal contaminants in the air, the process is accelerated, and the oak can already have extensive stains after a month. The spots fade gradually, and after several seasons it will turn grey, similar to teak. Smaller cracks usually also occur, as oak is a very "lively" wood. These cracks have a marginal effect on the strength and visuals of the material. Products manufactured with oiled oak should be oiled twice a year for the best possible protection. Good maintenance can never completely prevent stains from occurring. Oak that is not maintained becomes blacker and greys faster, but it still has a very long-life span. For the re-oiling of products, a fine oil that penetrates wood should be chosen instead of a film forming oil.

LINAX linseed oil treatment

We can offer Linax-treated pine as an alternative to other surface treatments. Linax is a linseed-based impregnation that provides extra-long lifespan in outdoor environments and corresponds to impregnation class AB. It is available in untinted or one of four different base colours.

Sioo

Sioo is a wood protection product with environmentally friendly silicon technology. Water-based and biocide free. We use Sioo mainly for our oak furniture, but it works on all kinds of wood; it fits all woods, in outdoor and indoor applications and provides a light wood surface without pigment. The surface is UV-proof, water repellent and not tacky. Provides an active and preventive effect against algae, mould and pests. Also provides anti-corrosion, wood reinforcement and fire-retardant characteristics. This wood protection provides high durability and easy maintenance. No annual oiling is required. Can be recoated. Nola's Sioo-treated products are treated twice at delivery, once with a wood shield (Premium Wood Shield Altan) and once with a surface protection (Premium Surface Protection Altan). 10-14 months after the product has been placed outside, it should be treated once more to achieve the best durability with Sioo: x Premium Surface Protection Altan. The life expectancy after re-treatment is estimated to be approximately 10 years, before it needs to be treated again with Premium Surface Protection Altan. The surface protection forms a wear surface, which means that products that are exposed to hard mechanical wear may need to be treated more frequently.

For information about the Sioo treatment, see www.sioo.se

1. Wash the surface with a mild detergent, rinse thoroughly
2. Let the surface dry entirely
3. Sand off gray parts of the wood.
4. Lightly sand the intact surfaces that will be re-oiled
5. Treat with oil recommended for outdoor exposure. Always follow the instructions for any product closely.

Black mold can be treated with a solution of one part chlorine and two parts water.

There are several other suitable mixtures for treating black mold, important is to always rinse thoroughly after treatment