

Angle Planter

DESIGN SYNNOVE MORCK



Angle Planter

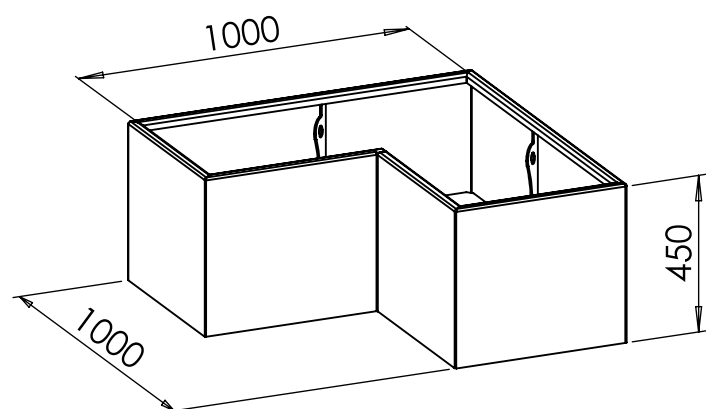
Angle enables a modern reinterpretation of a baroque garden, if one desires, with its angles and varying heights in various perspectives.

With three different sizes and volumes, Angle is like an architectural puzzle with nearly limitless possibilities. Together, the parts can create the most imaginative formations.

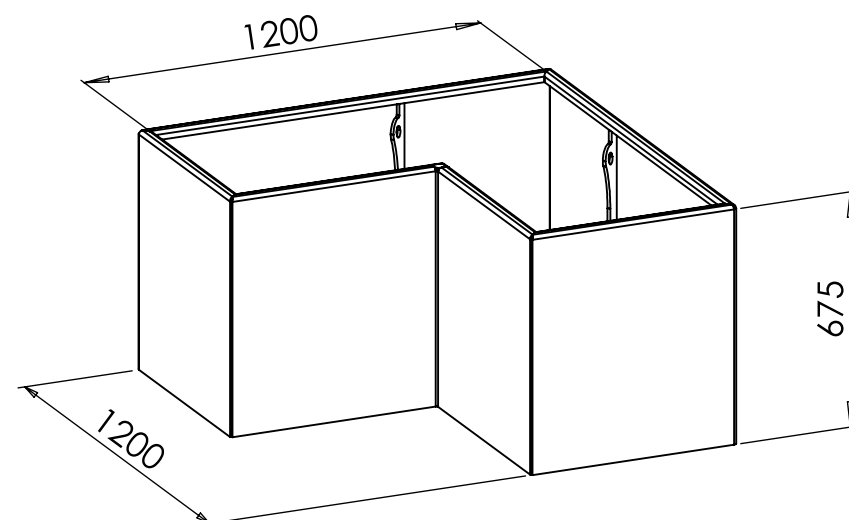
Angle can be placed as sections or create spatial divisions in places such as parks, courtyards, or urban landscapes. The different heights allow for varied vegetation, from shrubs to small trees.

Angle Planter

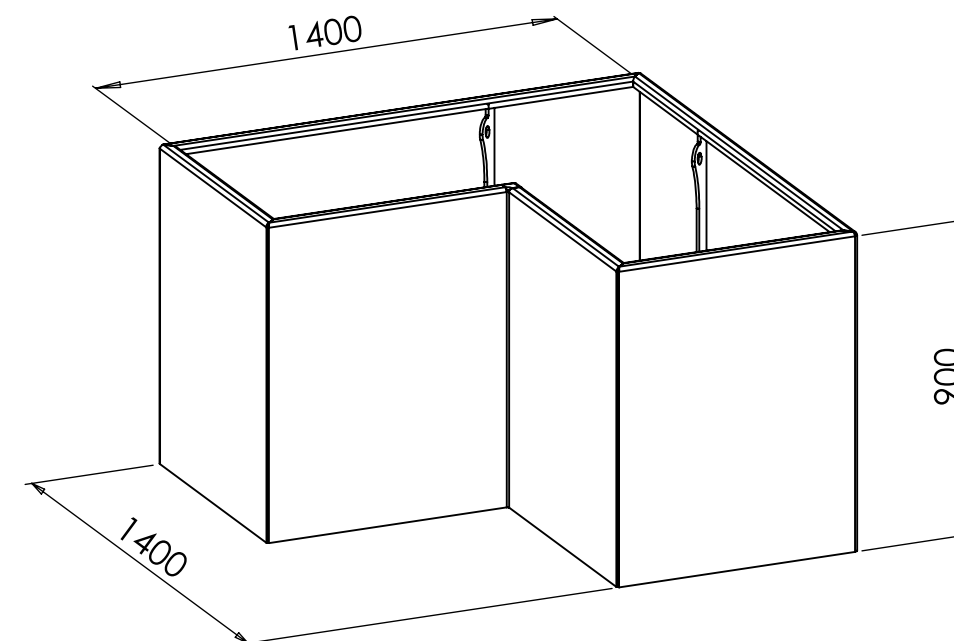
Ritad av Joachim Henriksson
Ritad datum 2024-02-29



Ö16-78 Angle
Planter, 300 Liters.



Ö16-77 Angle
Planter, 550 Liters.

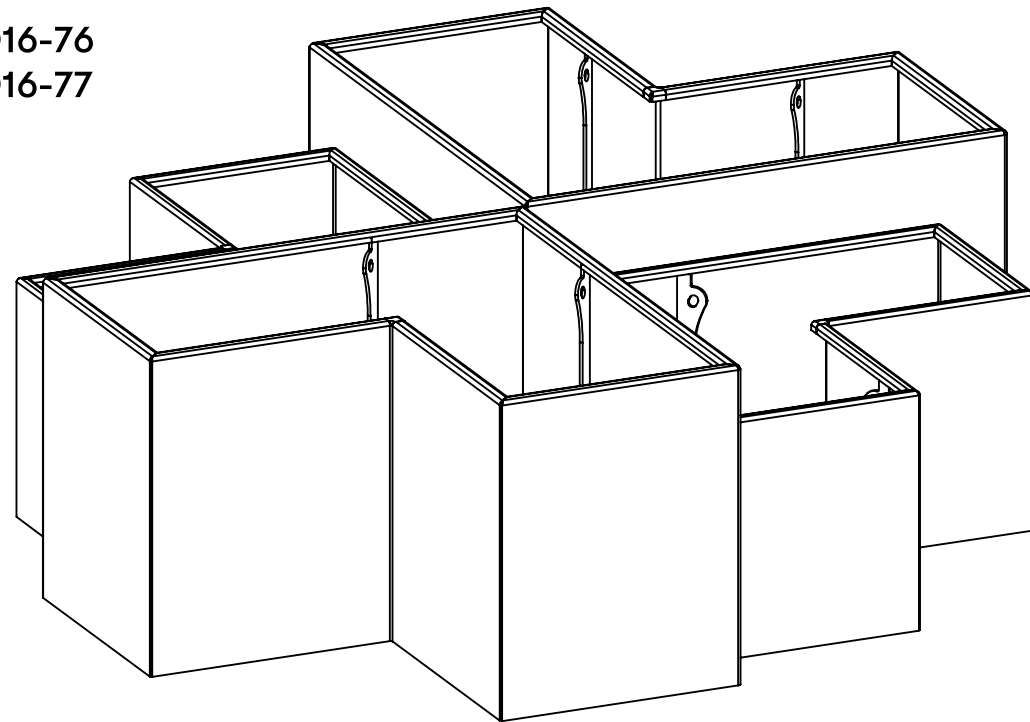


Ö16-76 Angle
Planter, 1000 Liters.

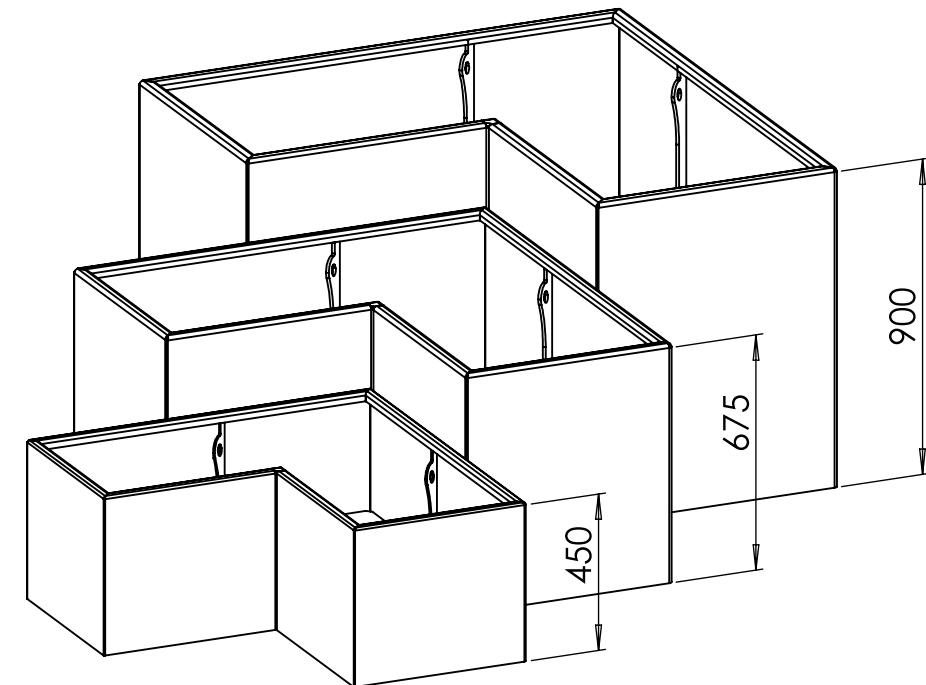
Angle Planter

Ritad av Joachim Henriksson
Ritad datum 2024-02-29

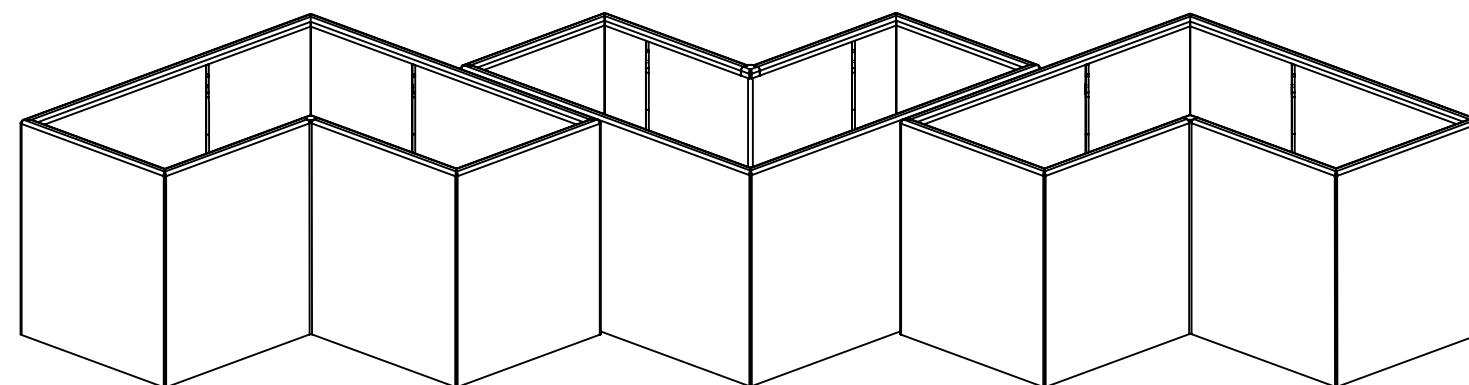
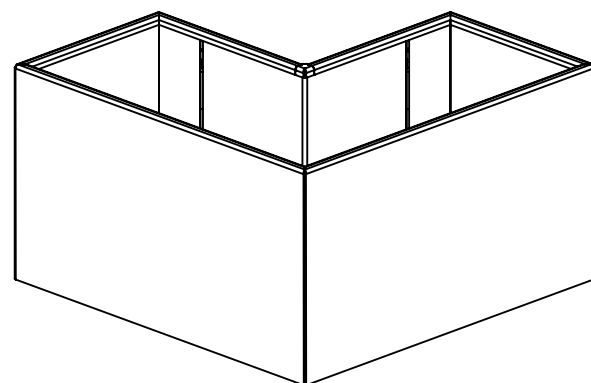
2pc Ö16-76
2pc Ö16-77



1pc Ö16-76
1pc Ö16-77
1pc Ö16 78



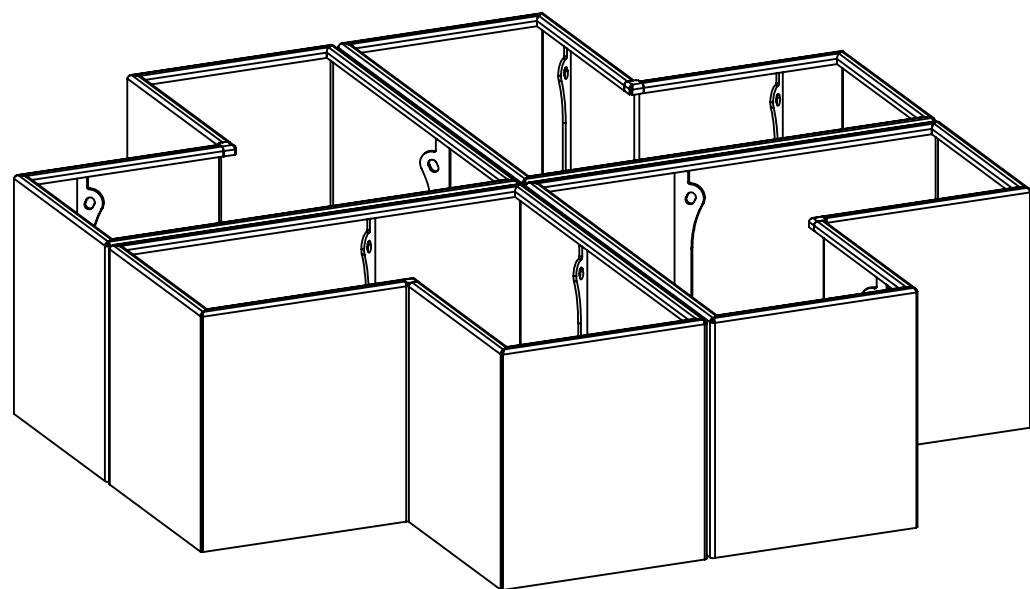
4pc Ö16-77



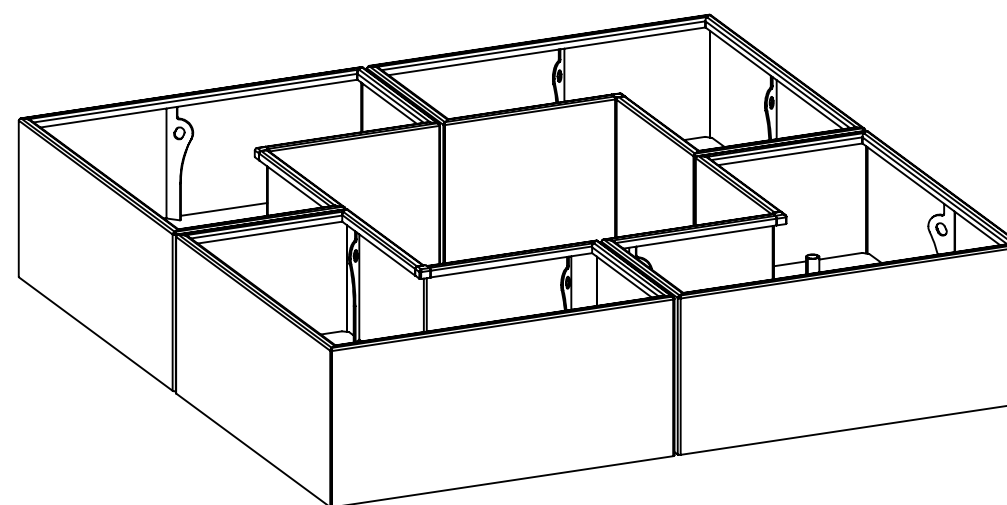
Angle Planter

Ritad av Joachim Henriksson
Ritad datum 2024-02-29

4pc Ö16-77



4pc Ö16-78



3pc Ö16-78

