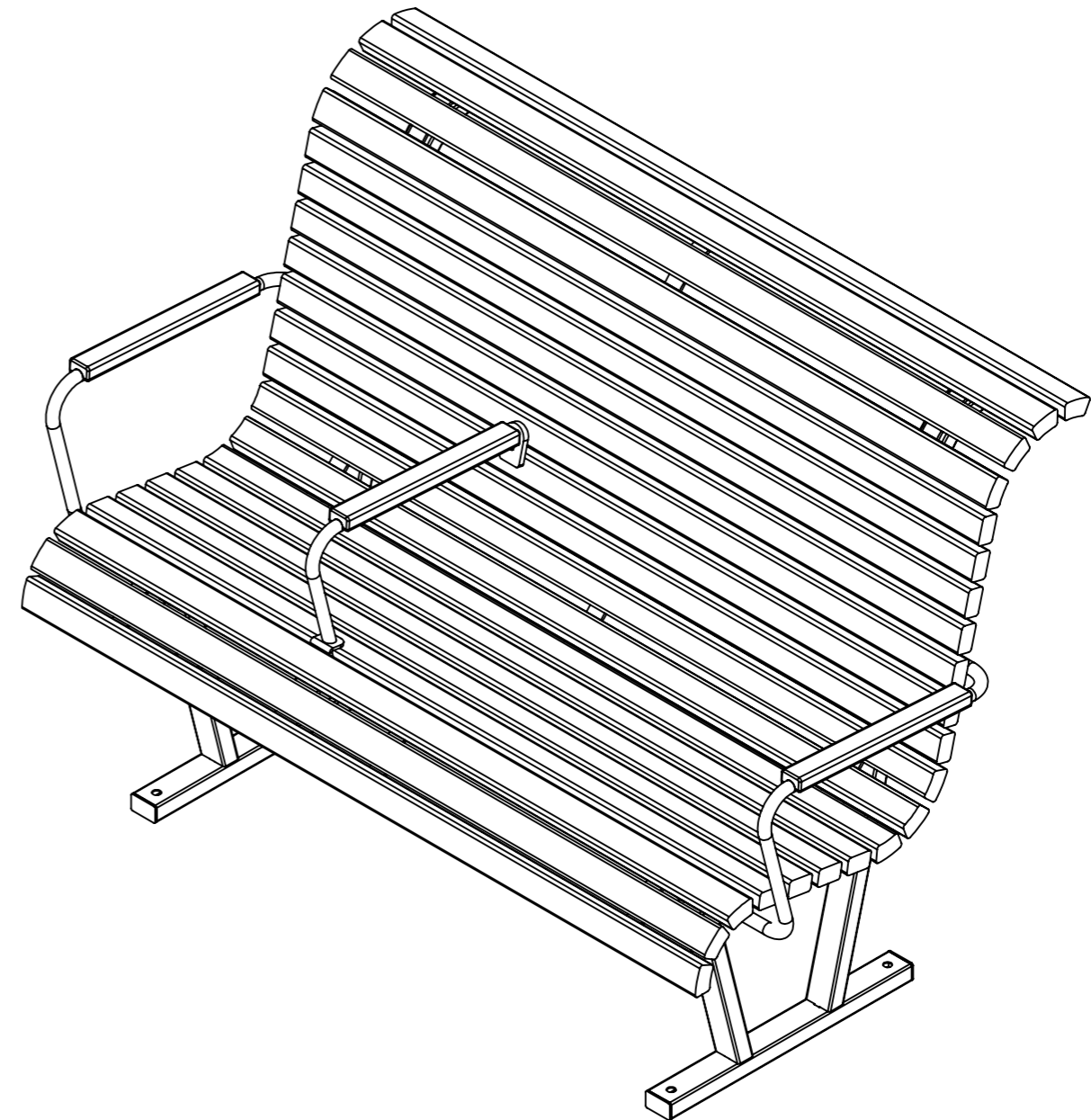


# Assembly instructions

## Cane Europa

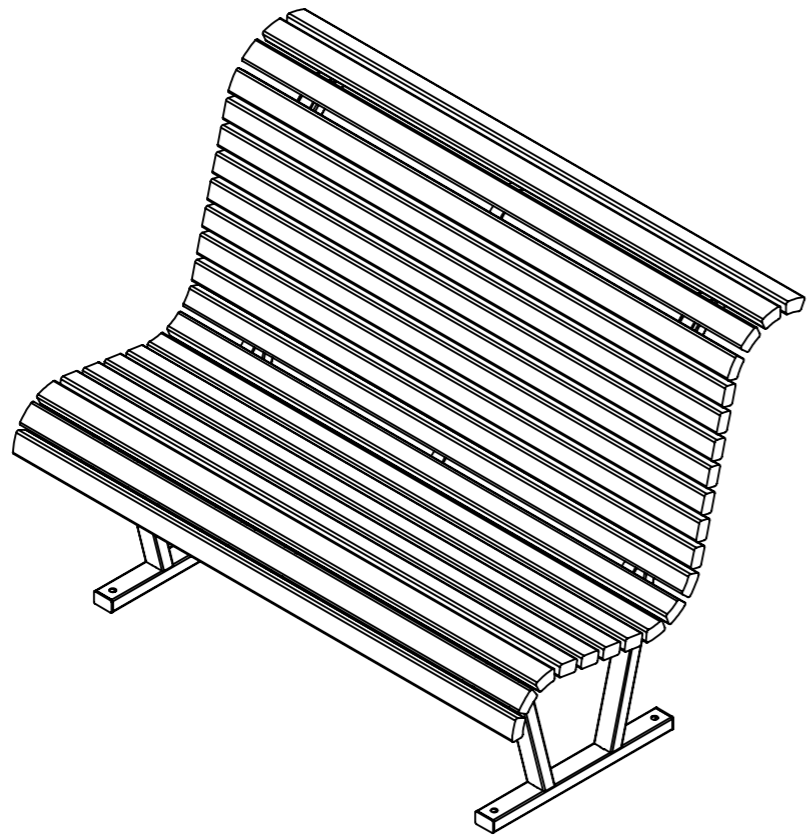
### Table of contents

Overview	s. 2
Fastening	s. 3
Assembly right/left armrest	s. 4
Assembly middle armrest	s. 5
Dissassembly/Recycling	s. 6
Product info Cane Europa sofa	s. 7
Product info Armrest right	s. 8
Product info Armrest left	s. 9
Product info Armrest middle	s.10

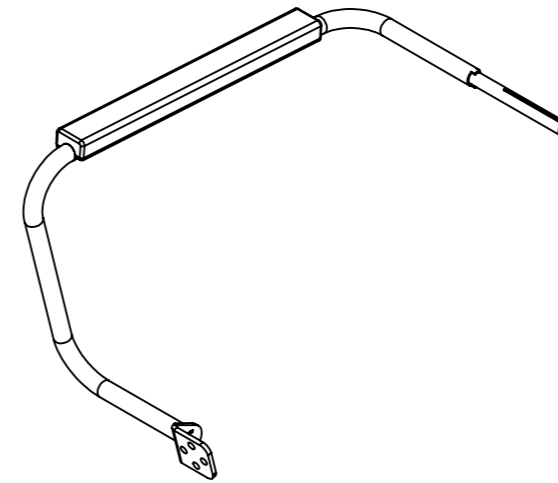


# Cane Europa Overview

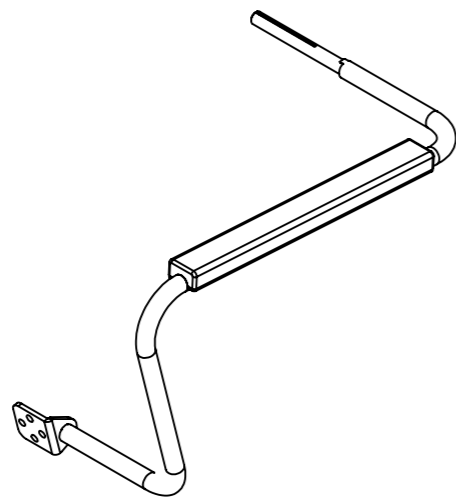
Ritad av Odin Sollie  
Uppdaterad 24-10-21



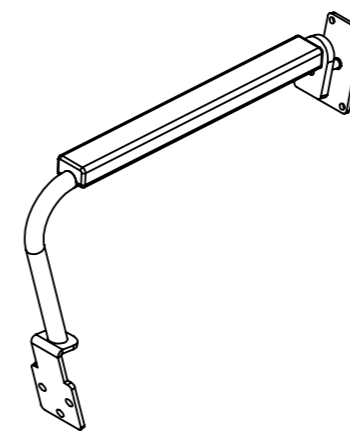
**U19-08**  
Cane Europa



**U19-08AH**  
Cane Europa,  
armrest right



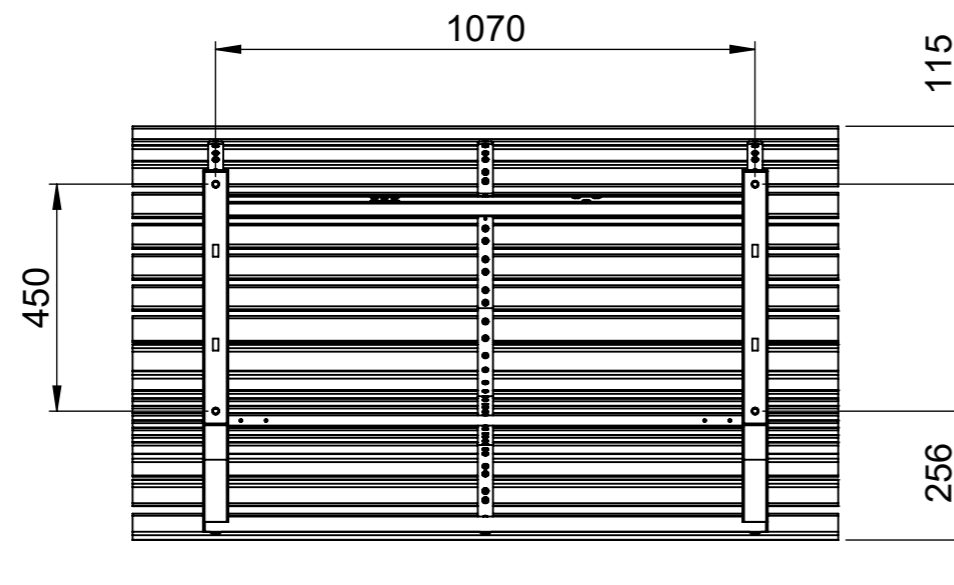
**U19-08AV**  
Cane Europa,  
armrest left



**U19-08AM**  
Cane Europa,  
armrest middle

# Cane Europa Fastening

Ritad av Odin Sollie  
Uppdaterad 24-10-21



Cane Europa is prepared for ground anchoring with two holes per ground tube, one at each end. A total of four  $\text{\O}14\text{mm}$  holes per bench for attachment with 12 mm bolts.

Regardless of whether the bench is secured with bolts or nuts, a washer should be used to protect the powder coat.

### Mounting on wooden surfaces

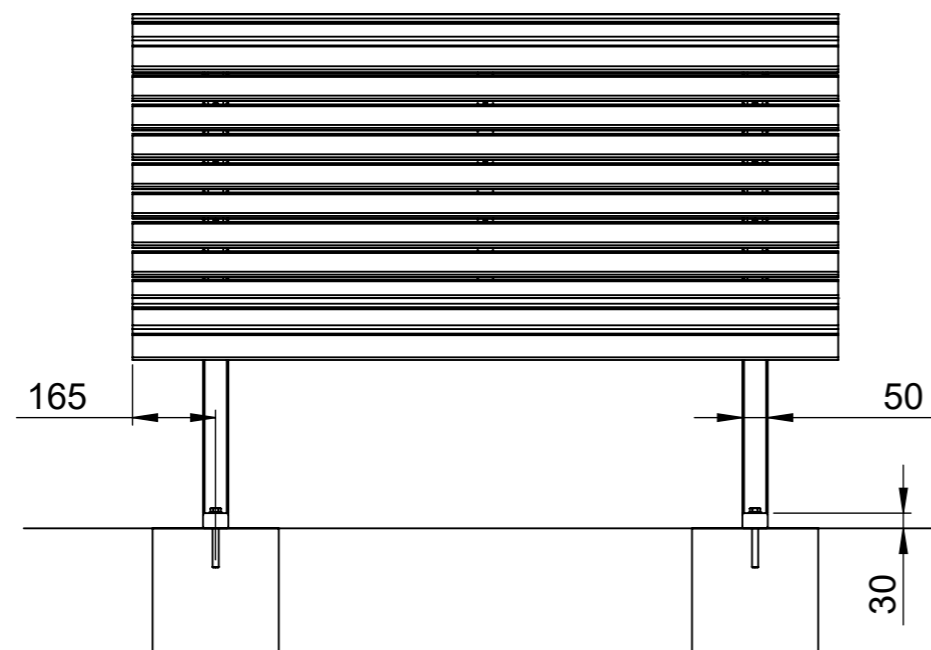
Pre-drill and install with coach screws. Either mark the exact positions of the holes according to the bench's hole pattern and pre-drill before placing the bench, or carefully pre-drill through the sofa's own holes, carefully not to damage the powder coat.

### Mounting on cobblestone or paving slabs

Undercast the slabs with concrete. Complete the surface with paving stones. There should be no setting sand between the stones and the concrete. Drill through the stone down into the concrete for expansion bolts or chemical anchors. Secure the sofa according to the instructions.

### Mounting on concrete or stone blocks, etc.

Install using chemical anchors or expansion bolts as described above.



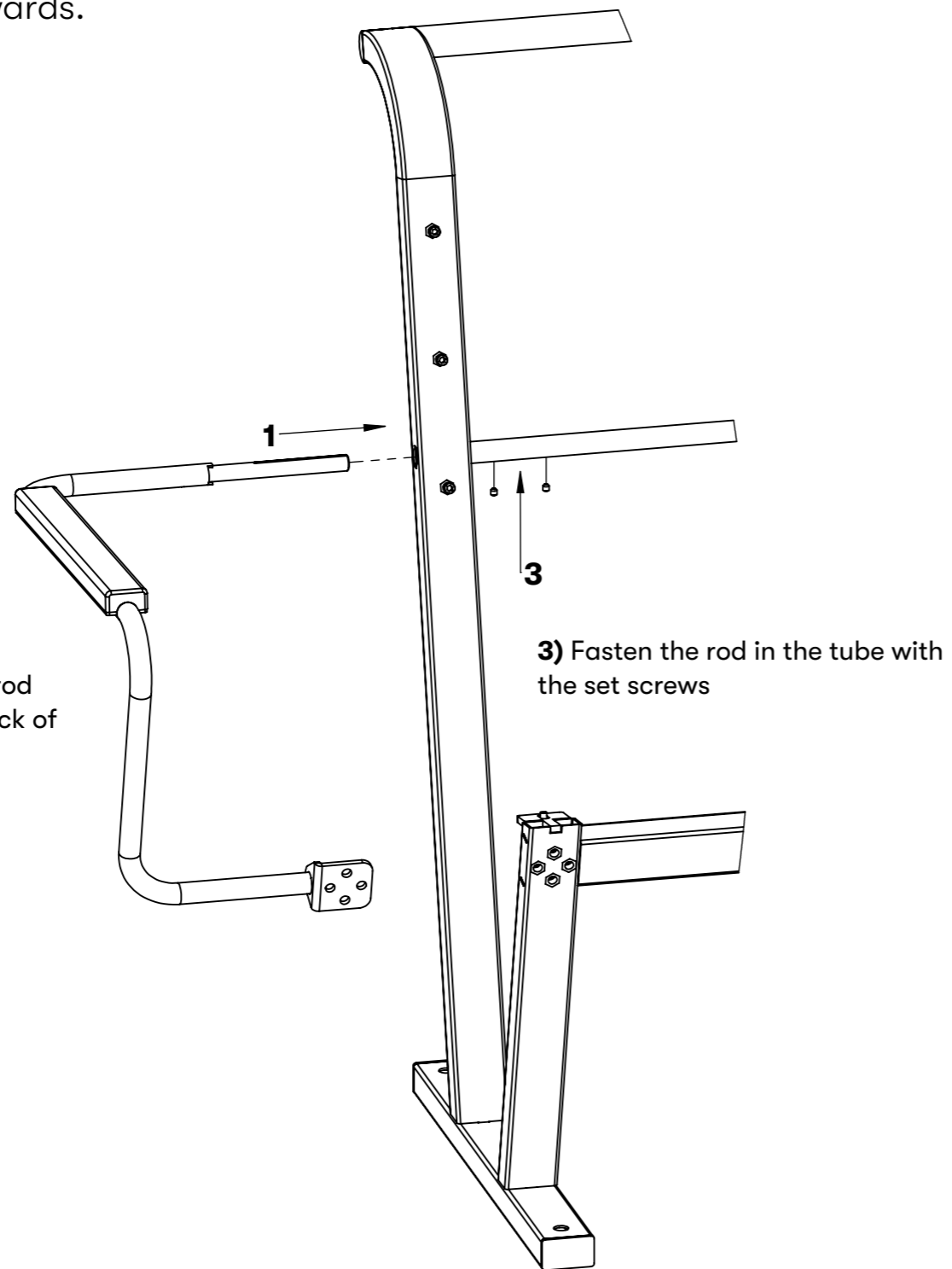
# Cane Europa

## Assembly right/left armrest

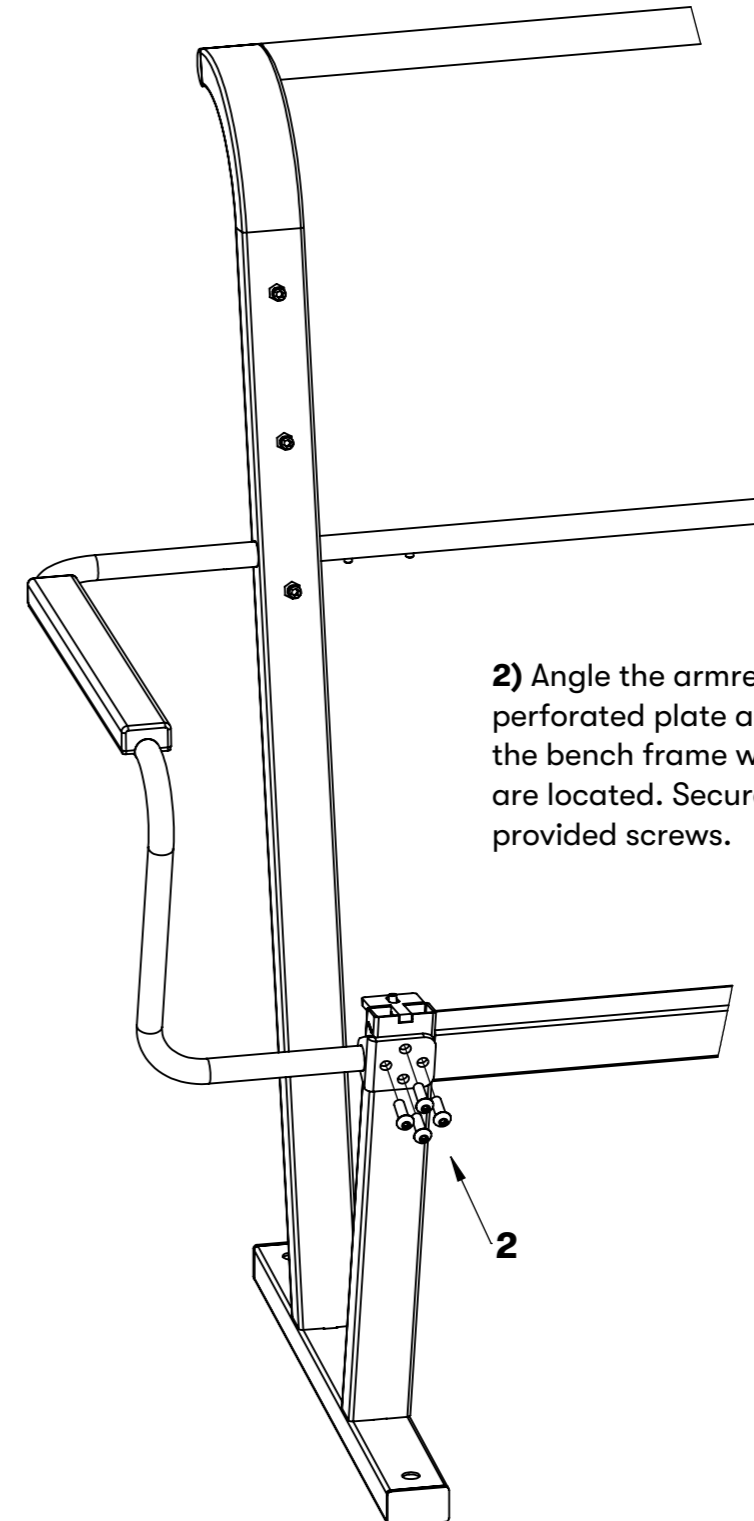
Ritad av Odin Sollie  
Uppdaterad 24-10-21

The armrests generally comes assembled with the sofa. These are instructions in case the right or left armrest has to be assembled to the sofa afterwards.

**1)** Insert the armrests rod into the tube in the back of the sofa.



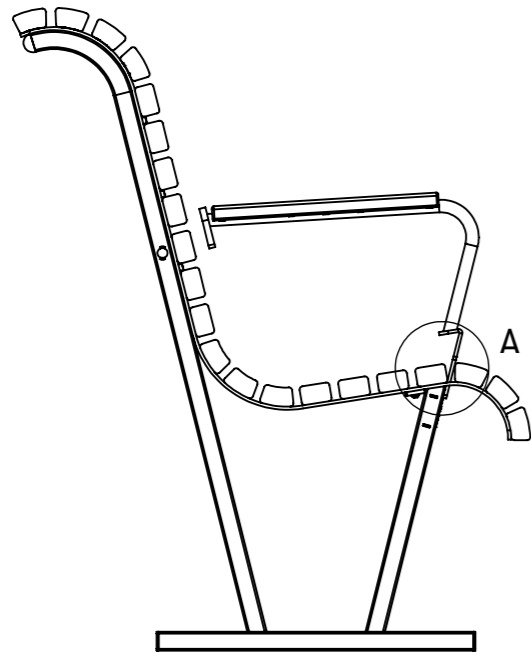
**2)** Angle the armrest so that its perforated plate aligns with the front of the bench frame where the insert nuts are located. Secure it firmly with the 4 provided screws.



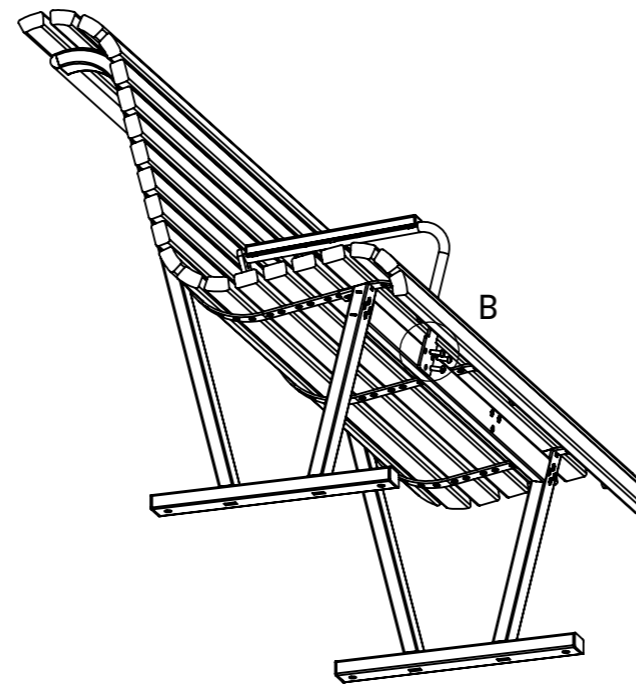
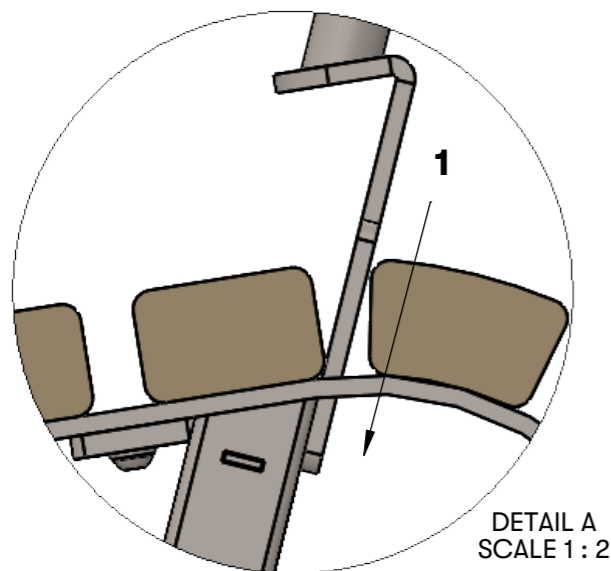
# Cane Europa

## Assembly middle armrest

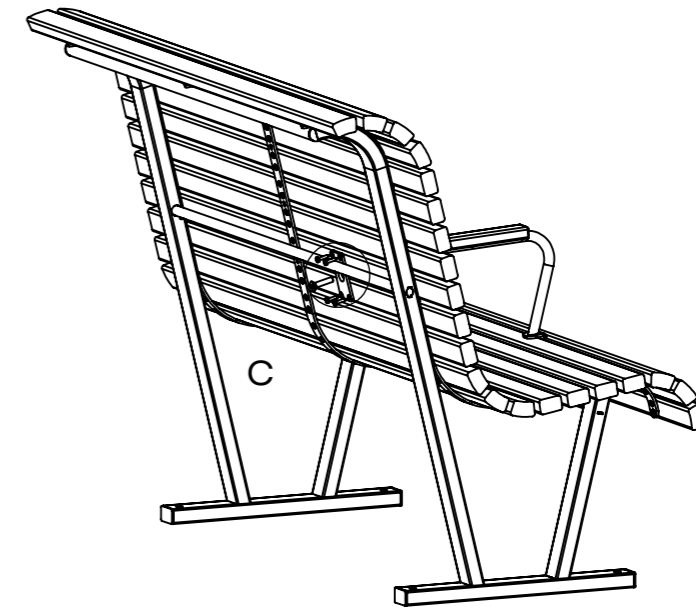
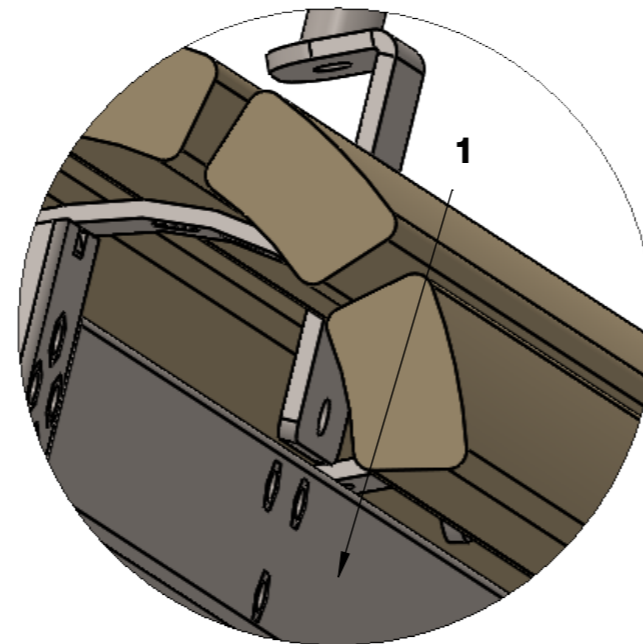
Ritad av Odin Sollie  
Uppdaterad 24-10-21



**1)** Insert the front perforated plate of the armrest between the bench's boards so that the plate sits flush with the bench's longitudinal tube and the holes align with the bench's insert nuts.

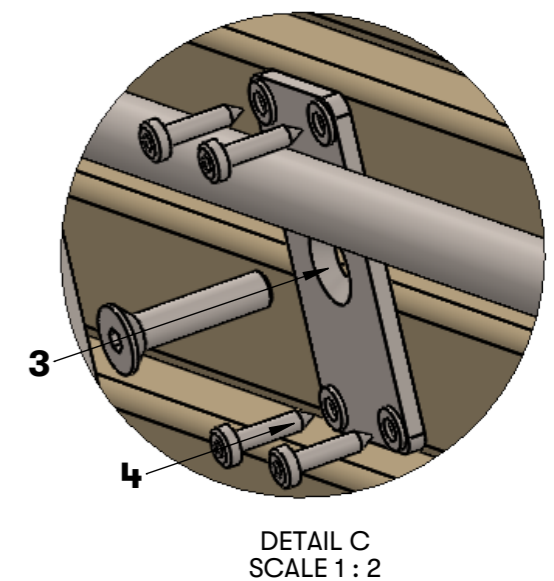
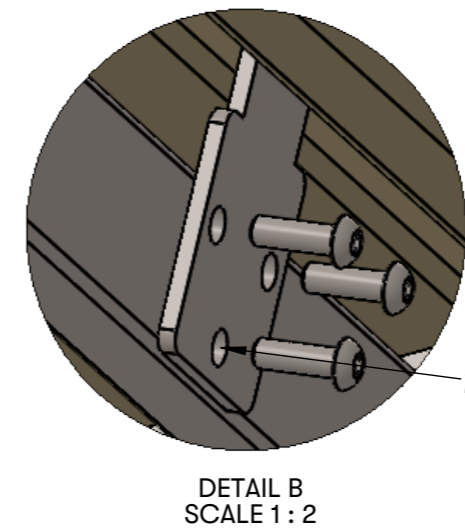


**2)** Attach the front plate of the armrest with the 3 provided screws. Do not fully tighten them; leave a bit of wiggle room.



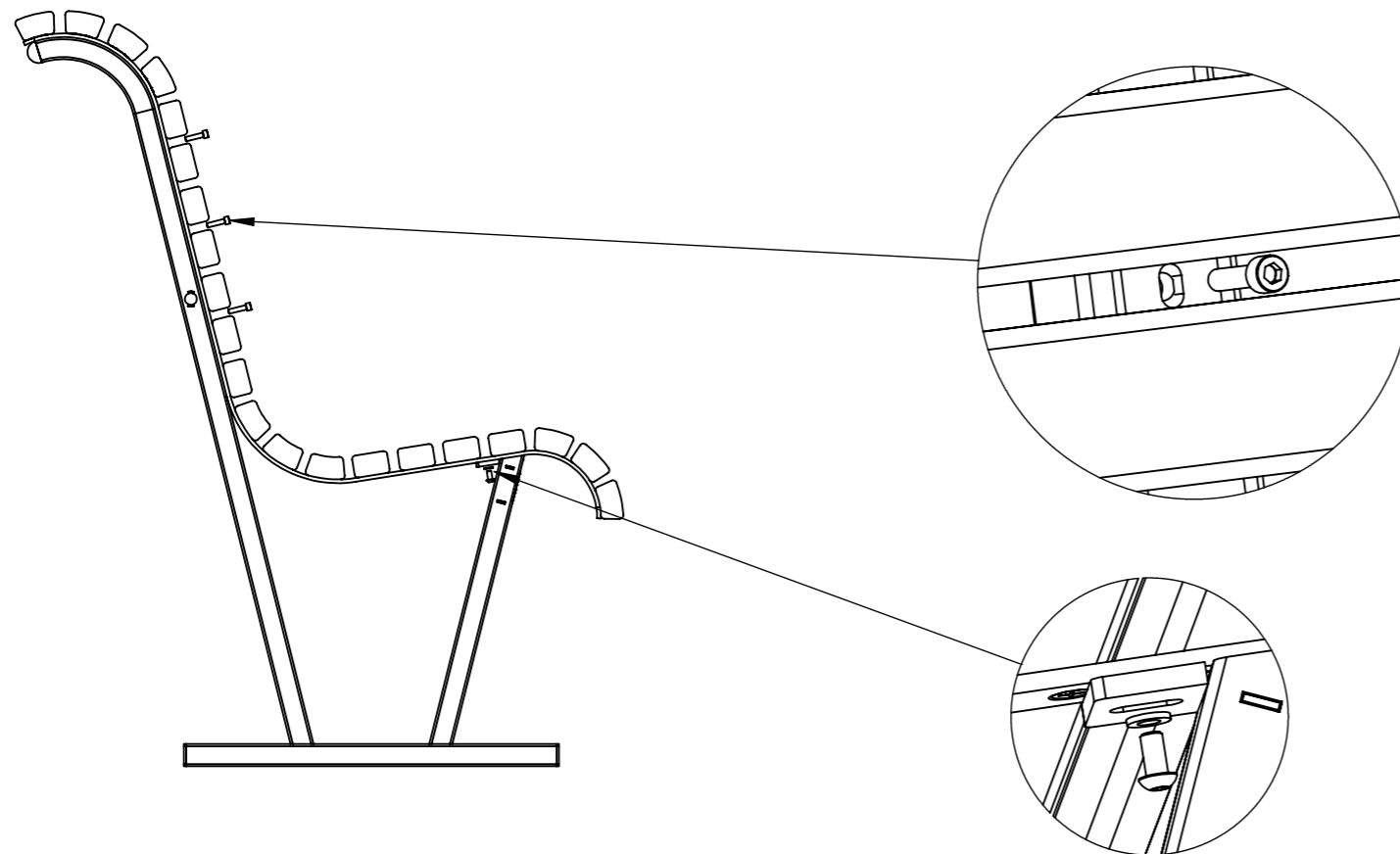
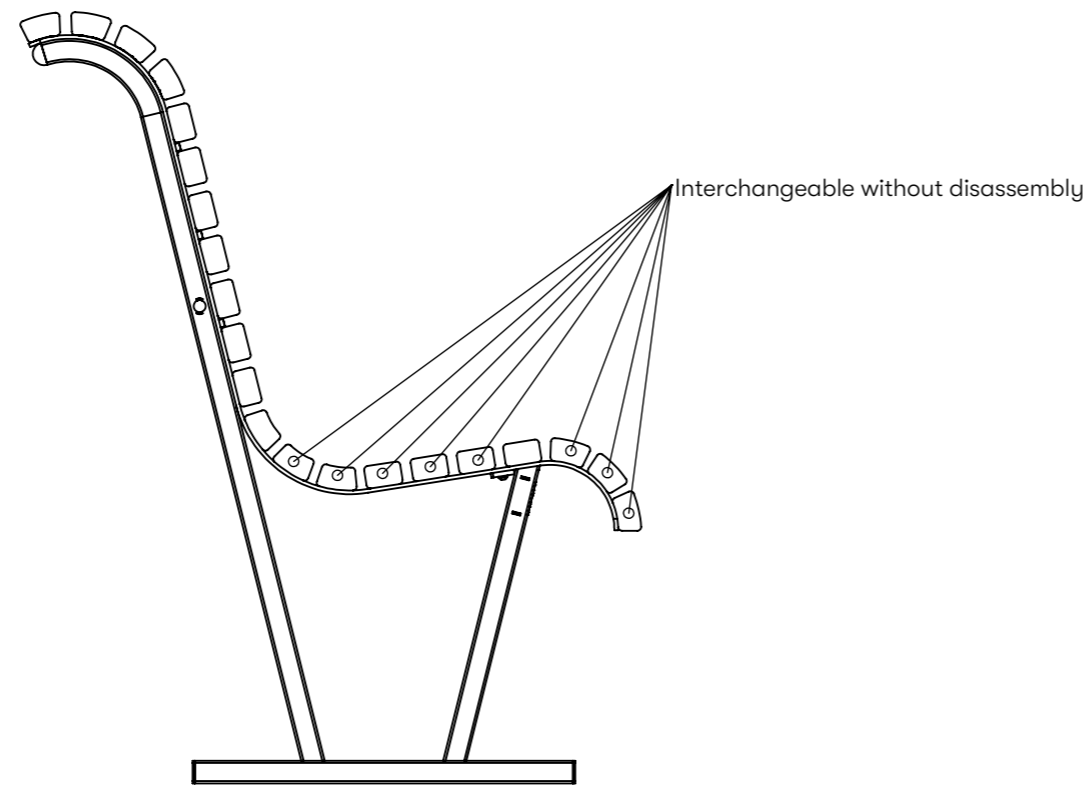
**3)** Align hole in the clamp plate with the threaded hole in the rear plate of the armrest and screw them together with the countersunk bolt between the backrest boards. Tighten the bolt so that the plates clamp the back boards firmly, ensuring the clamp plate sits straight.

**4)** Secure the clamp plate to the boards with the 4 wood screws.



# Cane Europa Dissassembly

Ritad av Odin Sollie  
Uppdaterad 24-10-21



## Repair:

If individual boards need to be replaced, this can be done on-site. First, contact Nola for replacement boards. Most of the boards in the seat can be replaced without removing the entire seat from the sofa. However, if the boards in the backrest need to be replaced, the seat must be detached and lifted off. Loosen the screws under the seat and in the backrest. Lift off the seat and place it on a surface that won't damage the wood or the powder coating. Replace the boards and remount the seat onto the sofa.

For more extensive repairs, the sofa should preferably be returned in its whole to Nola. Loosen the ground bolts and save them. Clean the bench of any gravel or debris that could scratch the coating during shipping. Pack the bench well to prevent any other damage during transit.

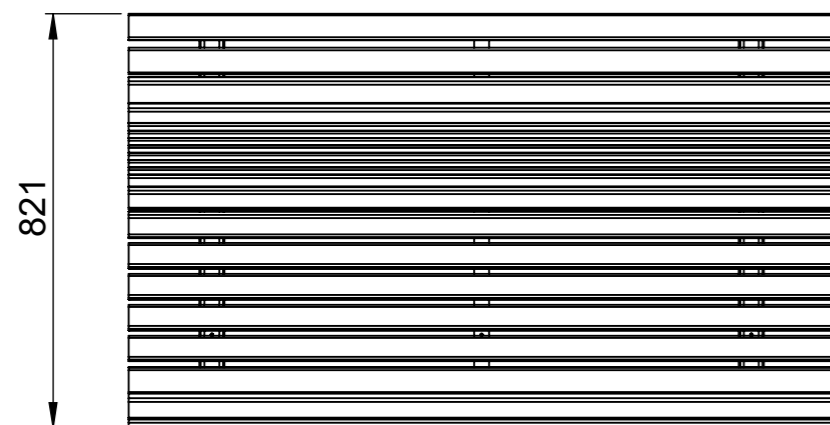
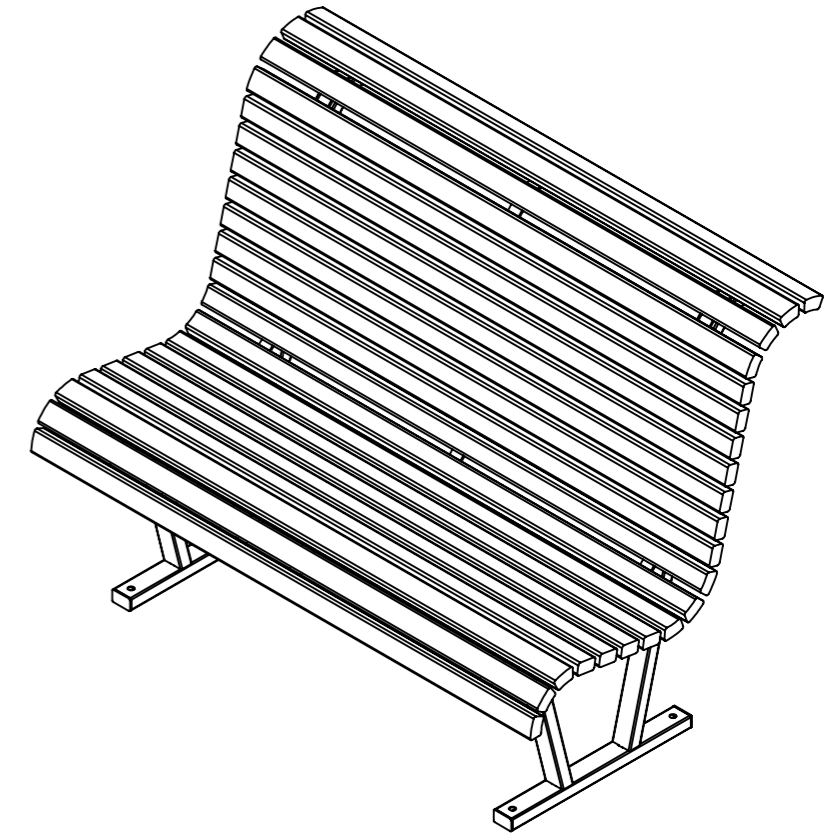
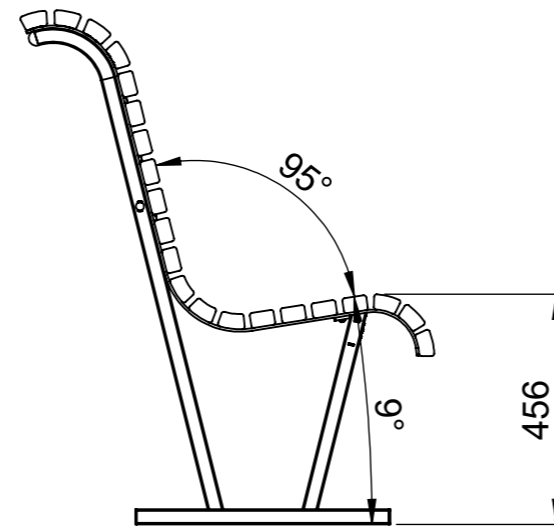
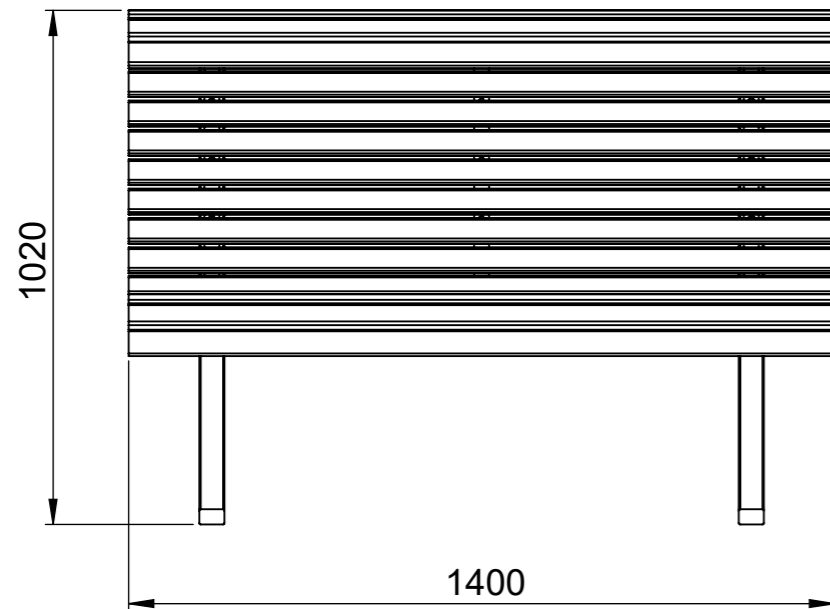
## Recycling:

When dismantling, all screws should be removed. The wood (if further reuse or processing is not possible) should be sorted as combustible waste. All screws are stainless steel (A2) and should be sorted as stainless steel. All other painted parts are made of steel and should be sorted as metal.

# Cane Europa

## Product information sofa

Ritad av Odin Sollie  
Ritad datum 2024-10-21



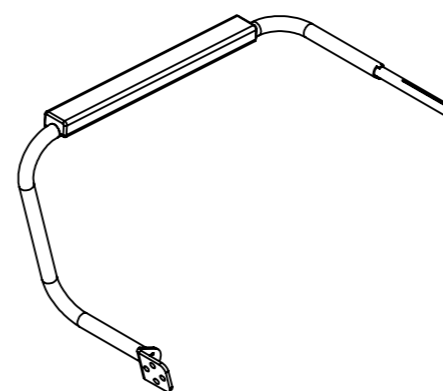
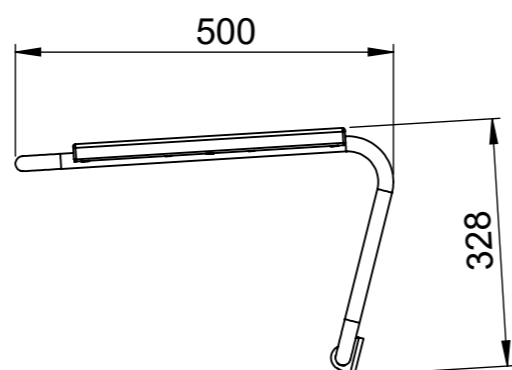
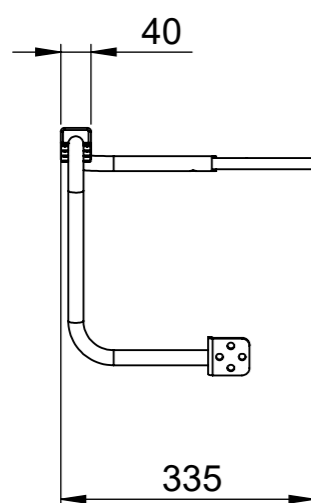
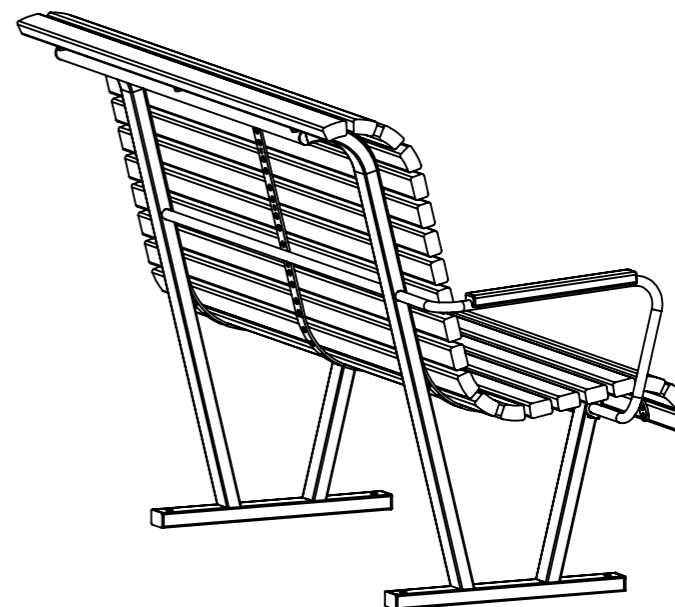
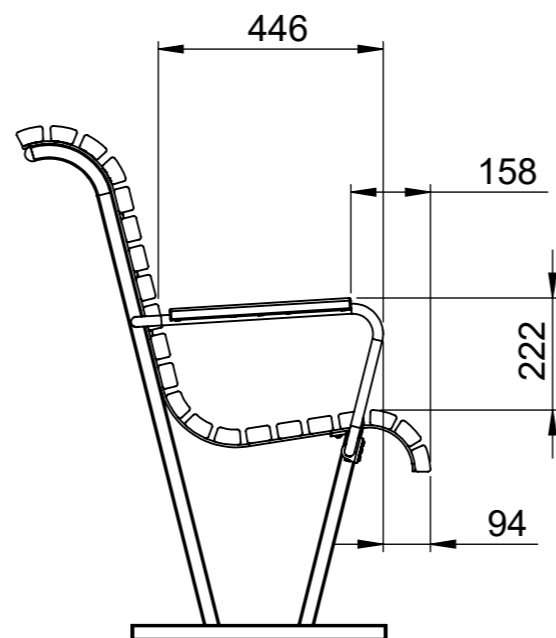
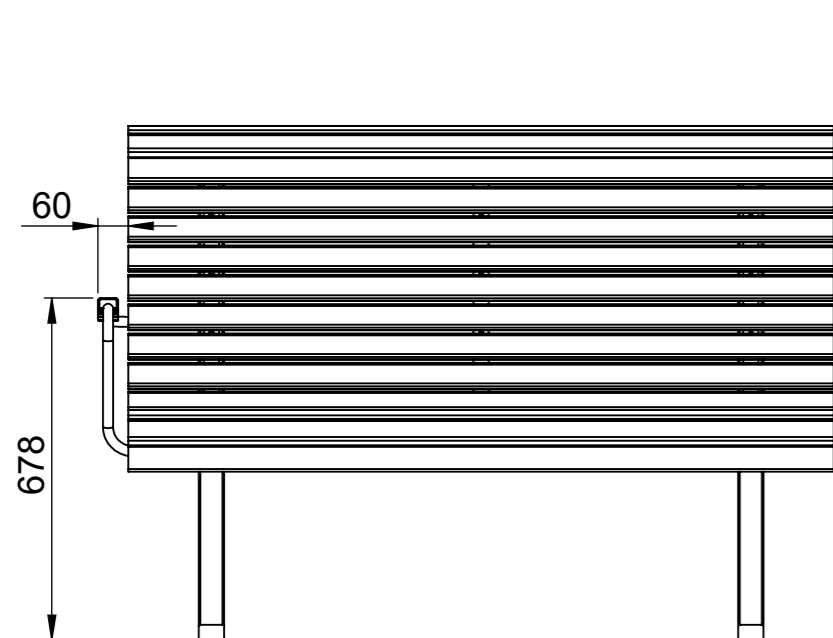
U19-08  
Cane Europa  
Weight 42 kg

Delivered fully assembled

# Cane Europa

## Product information Armrest right

Ritad av Odin Sollie  
Ritad datum 2024-10-21



**U19-08AH**  
**Cane Europa, Armrest right**  
Weight 1.5 kg

Includes 4 pieces M8x25 screws + washers and 2 pieces M6x6 set screws

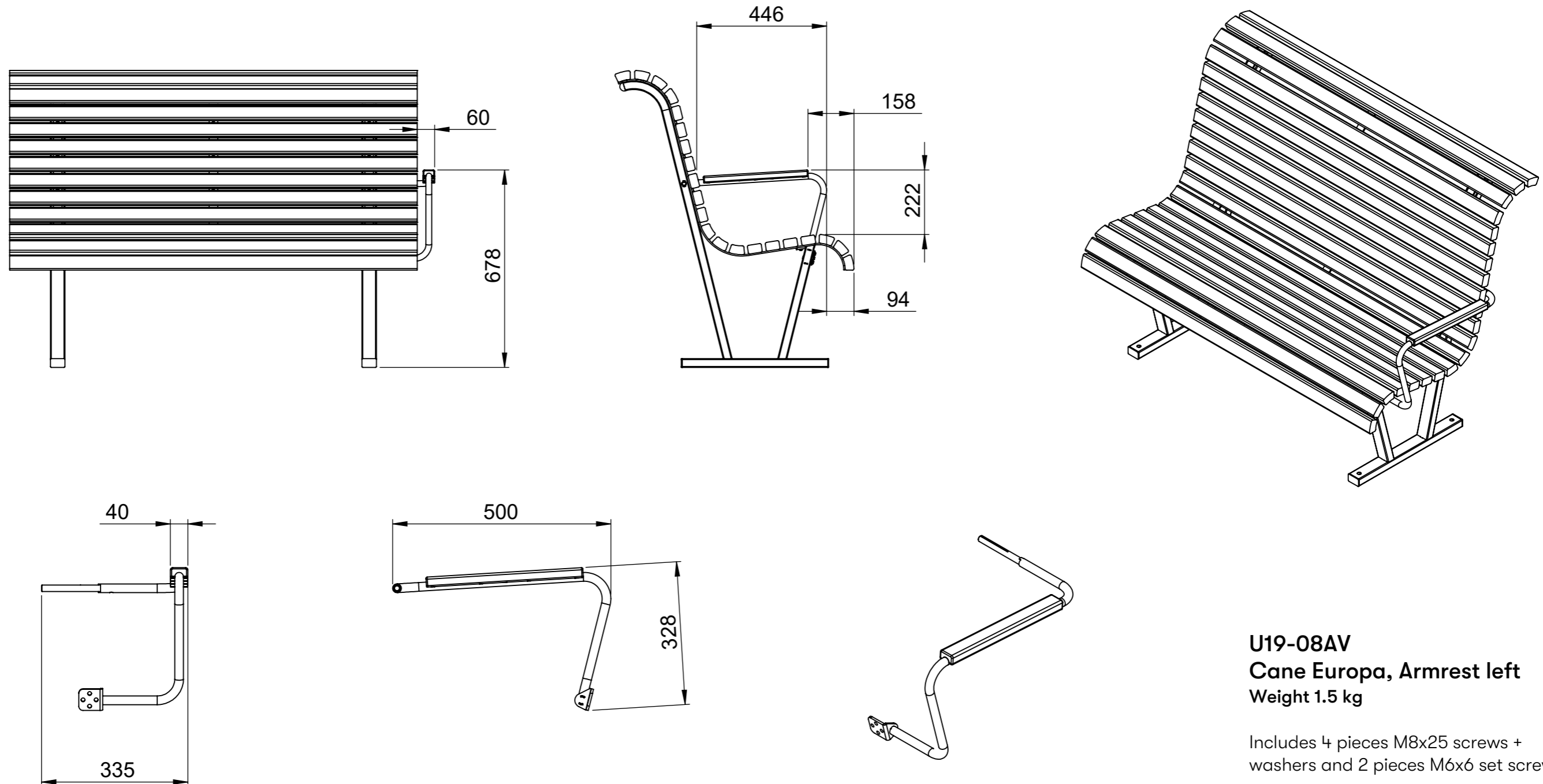
Delivered assembled to the sofa unless otherwise agreed.



# Möbelgrupp

## Product information Armrest left

Ritad av Odin Sollie  
Ritad datum 2024-10-21



**U19-08AV**  
**Cane Europa, Armrest left**  
Weight 1.5 kg

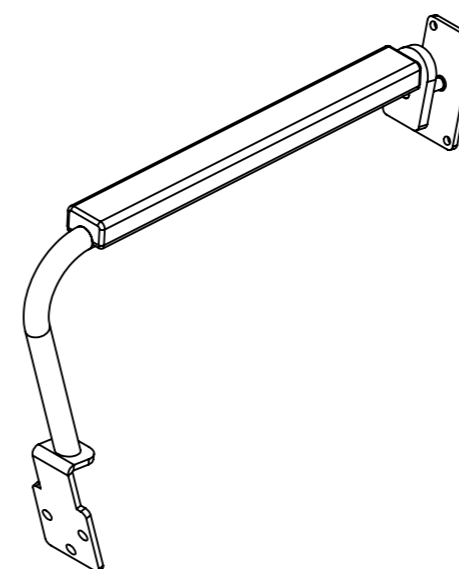
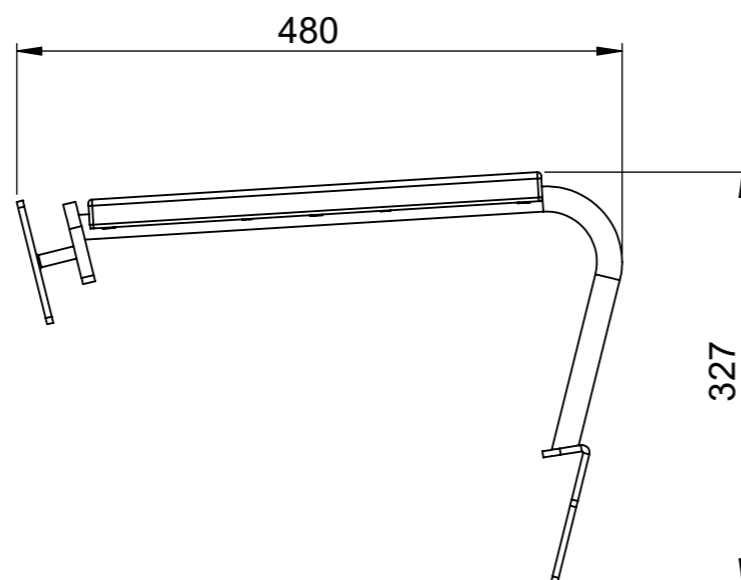
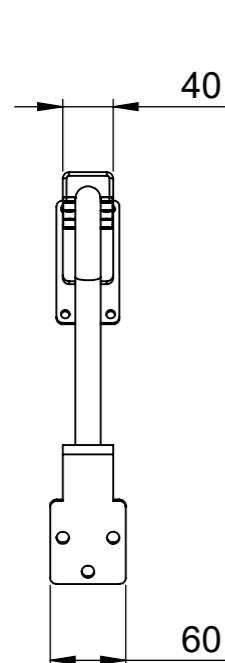
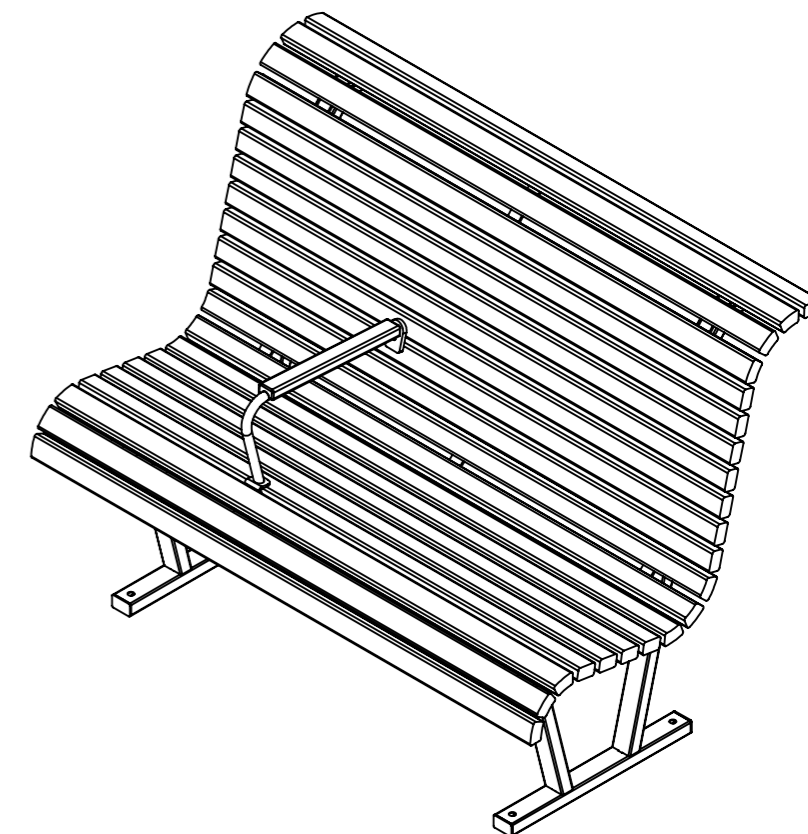
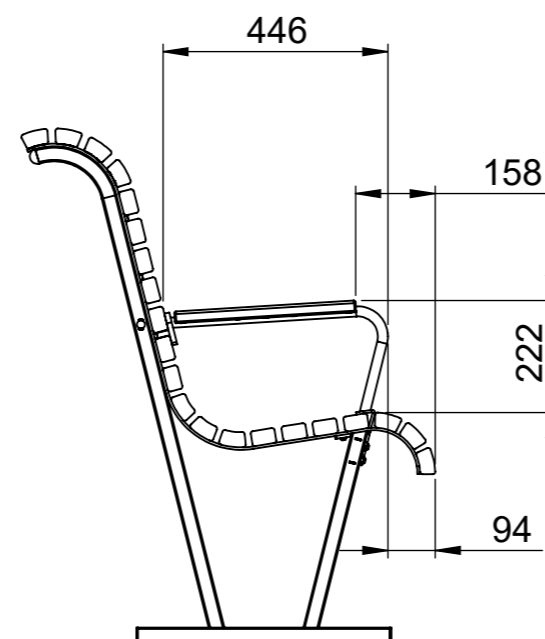
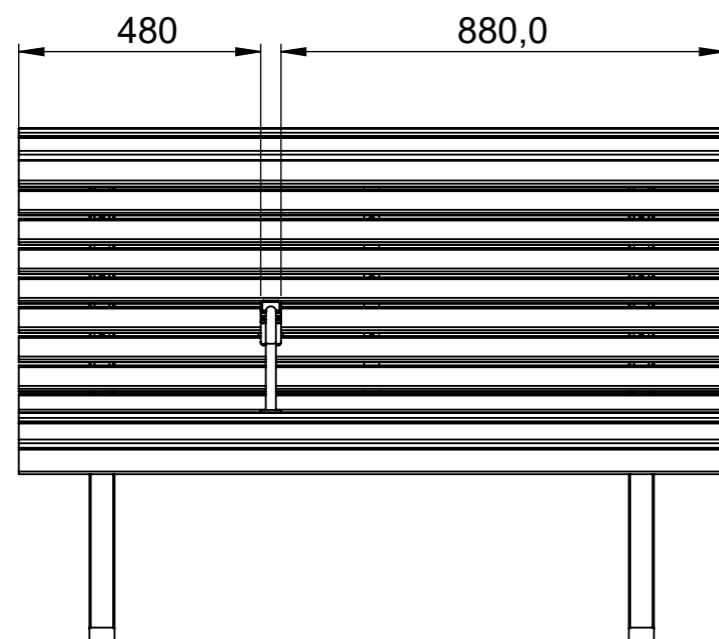
Includes 4 pieces M8x25 screws + washers and 2 pieces M6x6 set screws

Delivered assembled to the sofa unless otherwise agreed.

# Möbelgrupp

## Product information Armrest middle

Ritad av Odin Sollie  
Ritad datum 2024-10-21



**U19-08AM**  
**Cane Europa, Armrest middle**  
Weight 1.5 kg

Includes 3 pcs M8x25 screws + washers,  
1 M10x55 and 4 pcs wooden screws  
6x25 mm

Delivered assembled to the sofa  
unless otherwise agreed.