

nola®



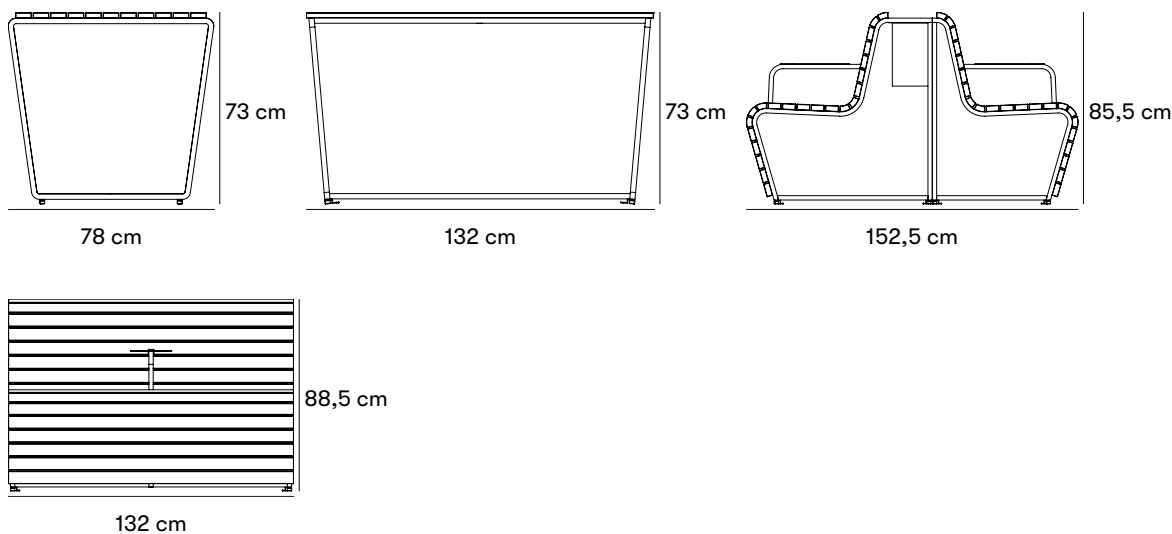
Vilding Furniture Group

Design Sebastian Hedengrahn

Vilding is a family of multipurpose, space-saving designs. The benches are formed by crisp folds that create the seat and backrest and make space for the integrated planter. The table appears to balance weightlessly between the benches, but is held to the ground by a sleek metal frame. Vilding is a natural space divider that makes room for plants to create an attractive focal point.

CERTIFICATION

Produkt listad i
Svanens Husportal 



Dimensions and weight

Backed bench with planter:

Height: 88,5 cm
 Depth: 85,5 cm
 Width: 132 cm
 Weight: 40 kg

Backed bench without planter:

Height: 88,5 cm
 Depth: 67 cm
 Width: 132 cm
 Weight: 35 kg

Table:

Height: 73 cm.
 Width: 78 cm.
 Length: 132 cm.
 Weight: 25 kg.

Vilding Sofa

Length: 132 cm
 Width: Med växtlåda 85,5 cm. Utan växtlåda 67 cm
 Height: 88,5 cm

Backed bench with planter: Height: 88,5 cm Depth: 85,5 cm Width: 132 cm
 Weight: 40 kg Backed bench without planter: Height: 88,5 cm Depth: 67 cm
 Width: 132 cm Weight: 35 kg

Vilding Table

Length: 132 cm
 Width: 78 cm
 Height: 73 cm
 Weight 25 kg

Product numbers and combinations

B11-06 Startup cost for powder coating steel in a color other than standard. Choose a RAL colour.

U32-10 Vilding backed bench

U32-11 Vilding backed bench with planter box

U32-10ARM Vilding backed bench with armrest table

U32-11ARM Vilding backed bench with planter box and armrest table

U32-12 Vilding rectangular table, freestanding

Append to product number

WOOD AND FINISH

SIOO for sioo:x treatment oak.

METAL SURFACE FINISH

C for any color other than standard, starting cost is added.

INSTALLATION TYPE

N for surface mount.

Standard colours

 **RAL 5021**

Materials and surface treatments

Oak

Oak is a heavy, hard and medium tough wood. Moderately dimensionally stable in case of moisture changes. Oak wood blackens if it is exposed to moisture or wetness for a long time. However, it does not affect the other properties of the wood. Thanks to its hardness and toughness, the oak wood is suitable for furniture and other use in exposed environments.

Steel

Nola uses high-quality steel with good strength in our products. Steel rusts if left untreated and must therefore be surface treated.

SiOO:X treatment

Sioo:x is a wood protection with environmentally friendly silicon technology. Water-based and biocide-free. We use Sioo mainly for our oak furniture. Sioo:x treatment of is suitable for all woods, outside as well as inside, and gives a light surface without pigments. The surface is UV-resistant, water-repellent and non-stick. Active and preventive action against algae, mould and pests. Also rot-proof, wood-strengthening and fire-retardant. This wood protection provides long durability and easy maintenance.

Powder coating

Powder coating is a coating that is applied as a free-flowing, dry powder. Unlike conventional liquid paint, powder coating is usually applied electrostatically and then cured under heat or with ultraviolet light. The result is an even, hard-wearing coloured surface with the desired gloss level.

Electrogalvanized

Electrogalvanizing (also known as zinc plating) provides corrosion protection through the sacrifice of zinc ions. It is created via a zinc coating on the steel using an electric current.

Assembly and placement

Freestanding

Freestanding product that is placed directly on the ground.

Surface mount

Can be bolted above ground, to the floor or to a cast-in-place foundation. Bolts not included.

Maintenance

SiOO:X treatment oak

Sioo:x-treated products are treated twice upon delivery; once with a wood protection (Premium Träskydd Altan) and once with a surface protection (Premium Ytskydd Altan). After 12 - 18 months, for best durability, the surface should be treated once more with Sioo:x Premium Ytskydd Altan. It is important to keep the product clean, otherwise the surface protection can be destroyed. Products that are exposed to heavy mechanical wear may need extra treatments. The surface treatment has a tested effect according to the standards EN 46 and EN 113.

For information about the Sioo treatment see the website www.sioox.se.

Powdercoated steel

Products that are powder-coated can be touch-up painted with alkyd paint.

[Read more in our general maintenance advice at nola.se/en/care-and-maintenance](http://nola.se/en/care-and-maintenance)

Versions

Park bench with or without planter. Armrest and table can be ordered separately. The planting insert for Vilding is delivered without drainage holes. For outdoor use, Nola recommends that 4 st 12 mm holes are drilled along the middle of the planting bottom.

Character

A multipurpose, space-saving park bench with planter and table.

Designers

Sebastian



Hedengrahn

