

nola®



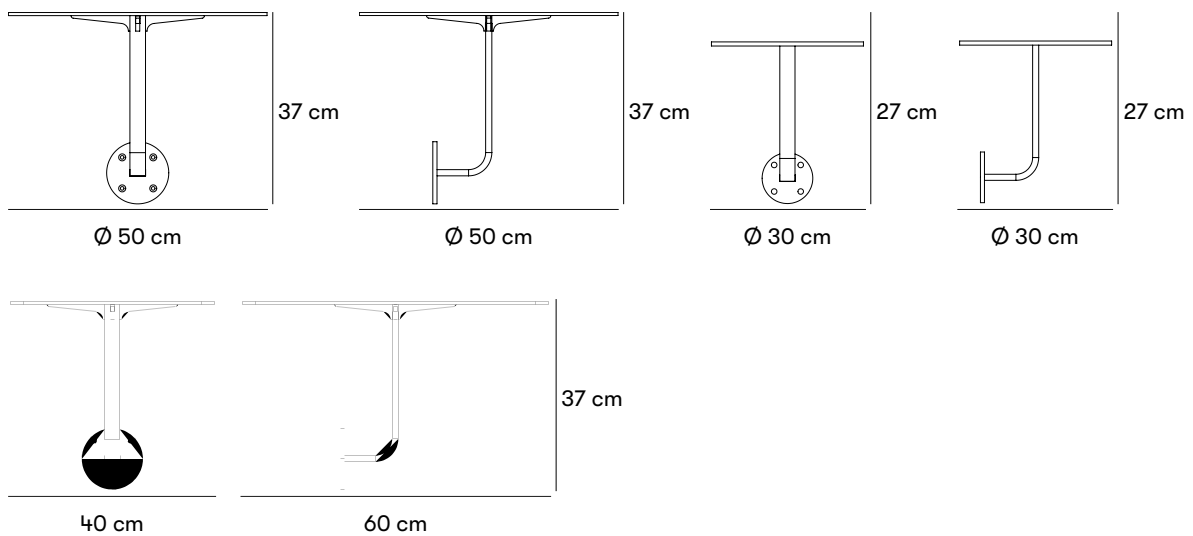
Deli Table

Design

Deli is a compact tabletop with a streamlined aesthetic and an emphasis on functionality. The combination of these attributes enables Deli to speak with a clear visual voice while remaining discreetly in the sidelines. The tabletop slots easily into a variety of contexts where space needs to be optimised. Deli can be attached to walls, mounted on benches and seats and installed on many vertical surfaces.

CERTIFICATION





Dimensions and weight

Ö19-17/30

Height: 27 cm
 Diameter: Ø 30 cm
 Weight: 6 kg

Ö19-17/50

Height: 37 cm
 Diameter: Ø 50 cm
 Weight: 11 kg

Ö19-15

Height: 37 cm
 Length: 60 cm
 Width: 40 cm
 Weight: 13 kg

Material dimensions

Steel frame: 30 mm
 Table top: 8 mm

Product numbers and combinations

Ö19-17/30 Deli table for installing to vertical surfaces, Ø 30 cm.
 Ö19-17/50 Deli table for installing to vertical surfaces, Ø 50 cm.
 Ö19-15 Deli table for installing to vertical surfaces, 60 x 40 cm.

Append to product number

METAL SURFACE FINISH

C for any color of steel, at an additional cost.

Standard colours

- RAL 9005
- RAL 1023
- RAL 3005
- RAL 6002



Materials and surface treatments

Steel

Nola uses high-quality steel with good strength in our products. Steel rusts if left untreated and must therefore be surface treated.

Powder coating

Powder coating is a coating that is applied as a free-flowing, dry powder. Unlike conventional liquid paint, powder coating is usually applied electrostatically and then cured under heat or with ultraviolet light. The result is an even, hard-wearing coloured surface with the desired gloss level.

Assembly and placement

Deli is fully assembled.

Attaches to walls, benches and seats, and can be installed on many vertical surfaces.

Maintenance

Powdercoated steel

Products that are powder-coated can be touch-up painted with alkyd paint.

[Read more in our general maintenance advice at nola.se/en/care-and-maintenance](https://nola.se/en/care-and-maintenance)

Versions

Deli table is available as a rectangular table and round tables in two different sizes.

Examples

Schools, cafes, transit hubs and other public spaces.

Character

Compact table available in a range of colours.