

nola®



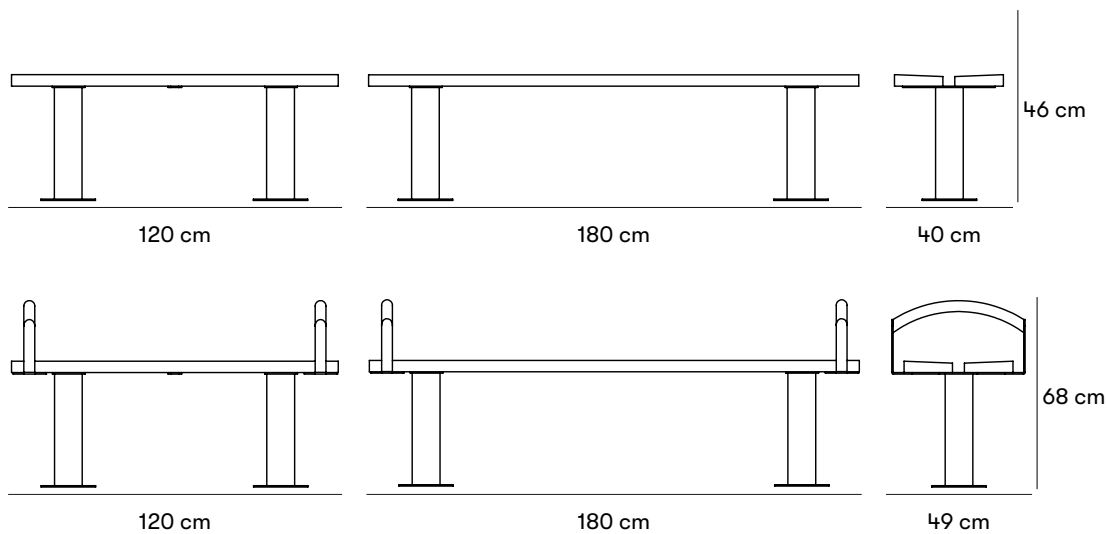
Stadsbänken Bench

Design Olle Anderson

This understated urban bench is a popular design naturally suited to streets, parks and other public spaces. The bench can be paired with tables or backed benches from the same furniture series to create an area for recreation, relaxation or dining. Stadsbänken bench is fully customizable. By choosing from among a range of different seats (angled or straight), types of armrests and various kinds frames, the bench can be tailor-made to suit any environment.

CERTIFICATION





Dimensions and weight

U18-50 / U19-70

Length: 120 cm
 Depth: 38 cm. EBH: 40 cm
 Seat height: 46 cm
 C-C: 78 cm
 Armrest height: 68 cm
 Armrest depth: 49 cm

U18-51 / U19-71

Length: 180 cm
 Depth: 38 cm. EBH: 40 cm
 Seat height: 46 cm
 C-C: 138 cm
 Armrest height: 68 cm
 Armrest depth: 49 cm

Dimensions

Wood components: 42 / 35 mm x 178 mm
 The pipe steel in stand: 102 mm x 2 mm
 The pipe steel in the armrests: 40 mm x 3 mm

Product numbers and combinations

U18-50 Stadsbänken Bench, length 120 cm, wood in oiled oak.
 U18-51 Stadsbänken Bench, length 180 cm, wood in oiled oak.
 U19-70 Stadsbänken Bench, length 120 cm, wood in pine.
 U19-71 Stadsbänken Bench, length 180 cm, wood in pine.
 U19-34 Armrest, 1 pc, black RAL 9005.
 -
 U18-57 Stadsbänken Tree bench, hexagonal, wood in oiled oak.
 U19-77 Stadsbänken Tree bench, hexagonal, wood in pine.

Append to product number

WOOD AND FINISH

LIN for linax impregnated pine.
G for painted pine light green.
R for painted pine maroon.
C for any color other than standard, starting cost is added.

METAL SURFACE FINISH

RAL 9005

C for any color of steel other than standard, at an additional cost.

VARIANTS

EBH for wider seat.

ARM for Stadsbänken Backed bench with armrests.

INSTALLATION TYPE

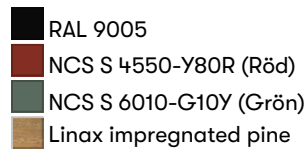
M for in-ground.

N for surface mount.

V for mounted to wall.

F for freestanding stand.

Standard colours



Materials and surface treatments

Pine

Nola's pine is of high quality and comes from sustainable forestry. Pine is an environmentally friendly, domestically produced material. Damaged or untreated pine is quite easily attacked by decomposition processes; therefore, it is particularly important to repair damaged surfaces.

Oak

Oak is a heavy, hard and medium tough wood. Moderately dimensionally stable in case of moisture changes. Oak wood blackens if it is exposed to moisture or wetness for a long time. However, it does not affect the other properties of the wood. Thanks to its hardness and toughness, the oak wood is suitable for furniture and other use in exposed environments.

Water-based glaze

Varnishing of wood is done with a water-based varnish. A water-based paint that is kinder to the environment. Under normal use, the paint has a good wear resistance and long durability.

Linax

Linax is a linseed oil-based impregnation that provides extra long durability in outdoor environments and corresponds to impregnation class AB. The impregnated wood turns gray over time, which means that it should be re-oiled if necessary. Use a linseed-based oil for impregnated materials.

After traditional impregnation according to NTR AB, the wood is boiled in a hot linseed oil with or without color pigments under vacuum. The oil is penetrated into

the surface on all six sides, which reduces moisture absorption in the wood and gives a dimensionally stable product over time. The result is a dried product with good resistance to rot that also has long maintenance intervals. Linax-impregnated furniture is intended for outdoor environments only.

Wood oil

Wood oil provides good protection against the stresses of the outdoor climate and at the same time highlights the wood's natural appearance and properties.

Steel

Nola uses high-quality steel with good strength in our products. Steel rusts if left untreated and must therefore be surface treated.

Electrogalvanized

Electrogalvanizing (also known as zinc plating) provides corrosion protection through the sacrifice of zinc ions. It is created via a zinc coating on the steel using an electric current.

Powder coating

Powder coating is a coating that is applied as a free-flowing, dry powder. Unlike conventional liquid paint, powder coating is usually applied electrostatically and then cured under heat or with ultraviolet light. The result is an even, hard-wearing coloured surface with the desired gloss level.

Assembly and placement

Freestanding

Freestanding product that is placed directly on the ground.

In-ground

Cast in ground.

Surface mount

Can be bolted above ground, to the floor or to a cast-in-place foundation. Bolts not included.

Mounted to wall

Bolted in place to stand/wall bracket.

Bolts for walls not included.

Delivered in parts.

Maintenance

Oljad ek

Oljad ek bör oljas 2 ggr per år för bästa skydd. Ett bra underhåll kan aldrig helt förebygga att fläckar uppstår, men ek som inte underhålls blir svartare och grånar fortare, den har dock fortfarande väldigt lång livslängd. Vid om oljning av produkter bör en finkokt olja som tränger in i träet väljas framför en filmbildande olja.

Water-based glazed pine

Products in varnished pine must be maintained regularly with alkyd paint. Maintenance intervals approximately 1 time per year. Damage and cracks should be repaired immediately. Touch-up paints in spray packaging are available in standard colors to order.

Linax impregnated pine

Outdoor furniture requires oiling every 5 years and panel products and roofs require oiling every 12 years. Maintenance should be done with linseed oil varnish. It is important that the wood is clean and dry (max. 20% moisture content) before it is finished with oil. When washing, do not use high-pressure cleaners. Washing should be done with lukewarm water and then rinsed off with a water hose at normal pressure. Strong grease-dissolving agents should not be used, but washing should be done with a mild household detergent. Detergents containing bleach should also not be used.

The oil can be applied with a roller or brush. Too much oil can cause growth on the wood and give a sticky surface. Attacks by growth can also occur if the wood has not been sufficiently dry or cleaned before the oil is applied. Growth does not damage the wood and is relatively easy to remove, but has a tendency to return.

Powdercoated steel

Products that are powder-coated can be touch-up painted with alkyd paint.

[Read more in our general maintenance advice at nola.se/en/care-and-maintenance](https://nola.se/en/care-and-maintenance)

Versions

The bench can be paired with other products from the Stadsbänken furniture group.

Character

This low-key urban bench is a popular design naturally suited to streets, parks and other public spaces.

Designers

Olle Anderson

Olle Anderson started his career as civil engineer and started his career at White Architecture where he is partner today. Anderson has throughout the years worked with interior architecture and furniture design and in 1975 he founded the interior design department at White. Throughout his career Anderson has received praise and acknowledgement for his work as a professor, honorary doctor and designer across the world, and won the award "Excellent Swedish design" a total of 19 times.

