

nola[®]



Shelter Outdoor Structure

Design Ana Mir & Emili Padrós, Emiliana Design Studio

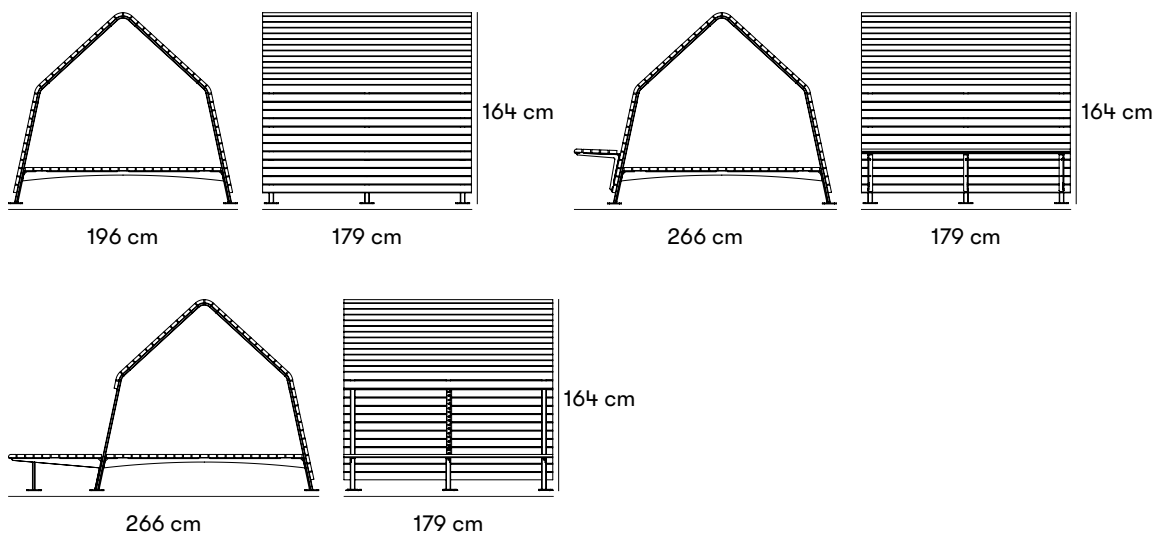
Just as a shelter creates a safe haven in a storm, this streamlined outdoor construction provides a dry refuge in wet weather. The structure can also provide shade on sunny days, making it suitable for all seasons. Two or more can be combined to create a flexible shelter-and-seating system that can be assembled in a range of configurations. The floor deck inside is spacious enough to provide room for several adults, while an optional bench can be attached outside to add seating. Children enjoy using the space as a play area, making it a perfect addition to playgrounds, primary schools and childcare facilities.

CERTIFICATION

Produkt listad i
Svanens Husportal  BYGGHÄRLIG
BEGÖMNINGEN

FEATURES

 Suitable for preschools and playgrounds



Dimensions and weight

Shelter with bench: Height: 164 cm. Width: 224 cm. Depth: 179 cm.

Shelter: Height: 164 cm. Width: 196 cm. Depth: 179 cm

Shelter with open side and extended floor: Height: 164 cm. Width: 266 cm. Depth: 179 cm.

Product numbers and combinations

U16-76 Shelter with standard decking and bench

U16-77 Shelter with side opening and extended decking

Append to product number

METAL SURFACE FINISH

C for any color other than standard, starting cost is added.

VARIANTS

BÄNK for extension bench at the front.

INSTALLATION TYPE

N for surface mount.

Standard colours



RAL 1018

Materials and surface treatments

Pine

Nola's pine is of high quality and comes from sustainable forestry. Pine is an environmentally friendly, domestically produced material. Damaged or untreated pine is quite easily attacked by decomposition processes; therefore, it is particularly important to repair damaged surfaces.

SiOO:X treatment

Sioo:x is a wood protection with environmentally friendly silicon technology. Water-based and biocide-free. We use Sioo mainly for our oak furniture. Sioo:x treatment of is suitable for all woods, outside as well as inside, and gives a light surface without pigments. The surface is UV-resistant, water-repellent and non-stick. Active and preventive action against algae, mould and pests. Also rot-proof, wood-strengthening and fire-retardant. This wood protection provides long durability and easy maintenance.

Steel

Nola uses high-quality steel with good strength in our products. Steel rusts if left untreated and must therefore be surface treated.

Powder coating

Powder coating is a coating that is applied as a free-flowing, dry powder. Unlike conventional liquid paint, powder coating is usually applied electrostatically and then cured under heat or with ultraviolet light. The result is an even, hard-wearing coloured surface with the desired gloss level.

Electrogalvanized

Electrogalvanizing (also known as zinc plating) provides corrosion protection through the sacrifice of zinc ions. It is created via a zinc coating on the steel using an electric current.

Assembly and placement

Surface mount

Can be bolted above ground, to the floor or to a cast-in-place foundation. Bolts not included.

The product is produced in individual sections with some parts partially assembled before shipping. Assembly should be completed on site. Fasteners and screws are included.

Maintenance

SiOO:X treatment on coniferous wood

Sioo:x-treated products are treated twice upon delivery; once with a wood protection (Premium Träskydd Altan) and once with a surface protection (Premium Ytskydd Altan). After 12 - 18 months, for best durability, the surface should be treated once more with Sioo:x Premium Ytskydd Altan. It is important to keep the product clean, otherwise the surface protection can be destroyed. Products that are exposed to heavy mechanical wear may need extra treatments. The surface treatment has a tested effect according to the standards EN 46 and EN 113.

For information about the Sioo treatment see the website www.sioox.se.

Powdercoated steel

Products that are powder-coated can be touch-up painted with alkyd paint.

[Read more in our general maintenance advice at nola.se/en/care-and-maintenance](http://nola.se/en/care-and-maintenance)

Versions

The shelter can be ordered with or without a bench, with one open side, or with an extended floor deck. Several shelters can be combined to create longer

shelters, or a series of interconnected designs.

Character

A practical, playful design crafted from sustainable Sioo-treated pine.

Designers

**Ana Mir & Emili Padrós,
Emiliana Design Studio**





