

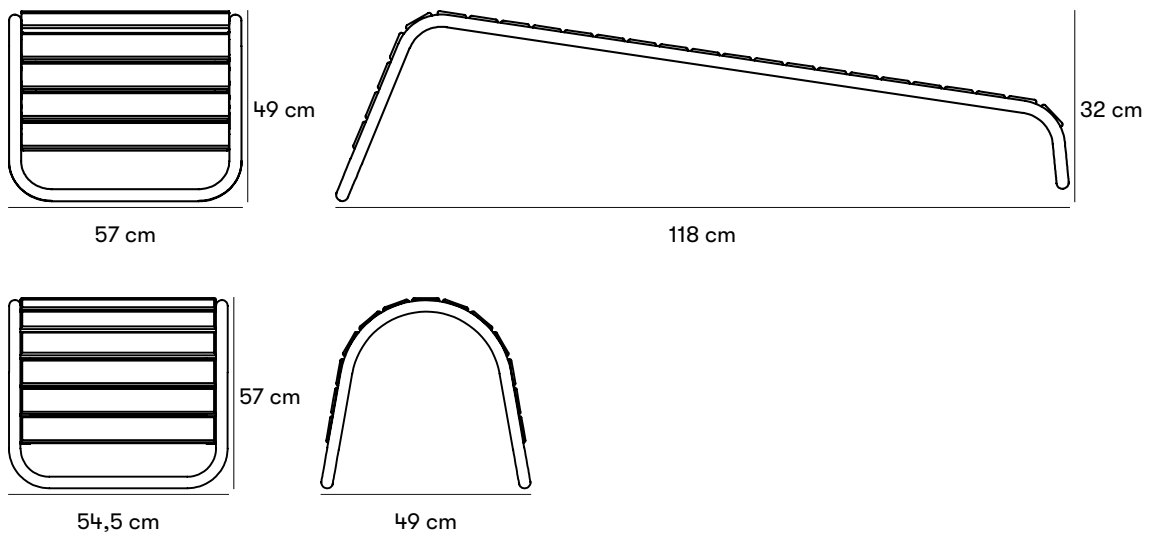
nola®



Saddle and Tilted Bench and Seat

Design Matyáš Barák

This complementary bench and seat are playful in expression and fun to use. The products are crafted with pipe steel frames and seats made in maintenance-free Accoya wood. The rounded profile of the seat gives it a light-hearted character, while the sloping surface of the bench creates a quirky asymmetrical design. Saddle and Tilted can be used in various environments, on their own, or in groups.



Dimensions and weight

Tilted bench:
 Length: 118 cm
 Depth: 57 cm
 Height of each side: 49 cm / 32 cm

Saddle footstool:
 Width: 54.5 cm
 Depth: 49 cm
 Height: 57cm

Product numbers and combinations

Saddle: U12-13
 Tilted: U12-14

Append to product number

WOOD AND FINISH

ACC for accoya.

METAL SURFACE FINISH

RAL 3009

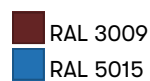
RAL 5015

C for any color other than standard, starting cost is added.

INSTALLATION TYPE

N for surface mount.

Standard colours



Materials and surface treatments

Accoya

Accoya® wood is the result of more than 80 years of research and development into modifying wood through an acetylation process. Accoya® wood is Radiata pine, a fast-growing wood virtually free of knots that is harvested from renewable FSC-certified forests. Accoya® wood has properties that match or exceed those of tropical woods and the treatment process is non-toxic. The pale wood will turn grey over time and may develop dark spots over time. Accoya® can withstand humid and rainy environments very well and expands/contracts less than other tropical-type woods.

Steel

Nola uses high-quality steel with good strength in our products. Steel rusts if left untreated and must therefore be surface treated.

Electrogalvanized

Electrogalvanizing (also known as zinc plating) provides corrosion protection through the sacrifice of zinc ions. It is created via a zinc coating on the steel using an electric current.

Powder coating

Powder coating is a coating that is applied as a free-flowing, dry powder. Unlike conventional liquid paint, powder coating is usually applied electrostatically and then cured under heat or with ultraviolet light. The result is an even, hard-wearing coloured surface with the desired gloss level.

Assembly and placement

Freestanding

Freestanding product that is placed directly on the ground.

Surface mount

Can be bolted above ground, to the floor or to a cast-in-place foundation. Bolts not included.

Fully assembled.

Maintenance

Accoya

Accoya is maintenance-free and does not require any special treatment to preserve its unique properties. If black spots should appear on the wood from pollution in the air, these are easily removed with any kind of furniture wash.

Powdercoated steel

Products that are powder-coated can be touch-up painted with alkyd paint.

[Read more in our general maintenance advice at nola.se/en/care-and-maintenance](https://nola.se/en/care-and-maintenance)

Versions

As a bench and as a footstool.

Character

A bench and footstool i Accoya wood strong in its simplicity, which smoothly complement each other.

Designers

Matyáš Barák



