

nola[®]





Picnic table

Picnic Table

Design Anders Nyquist

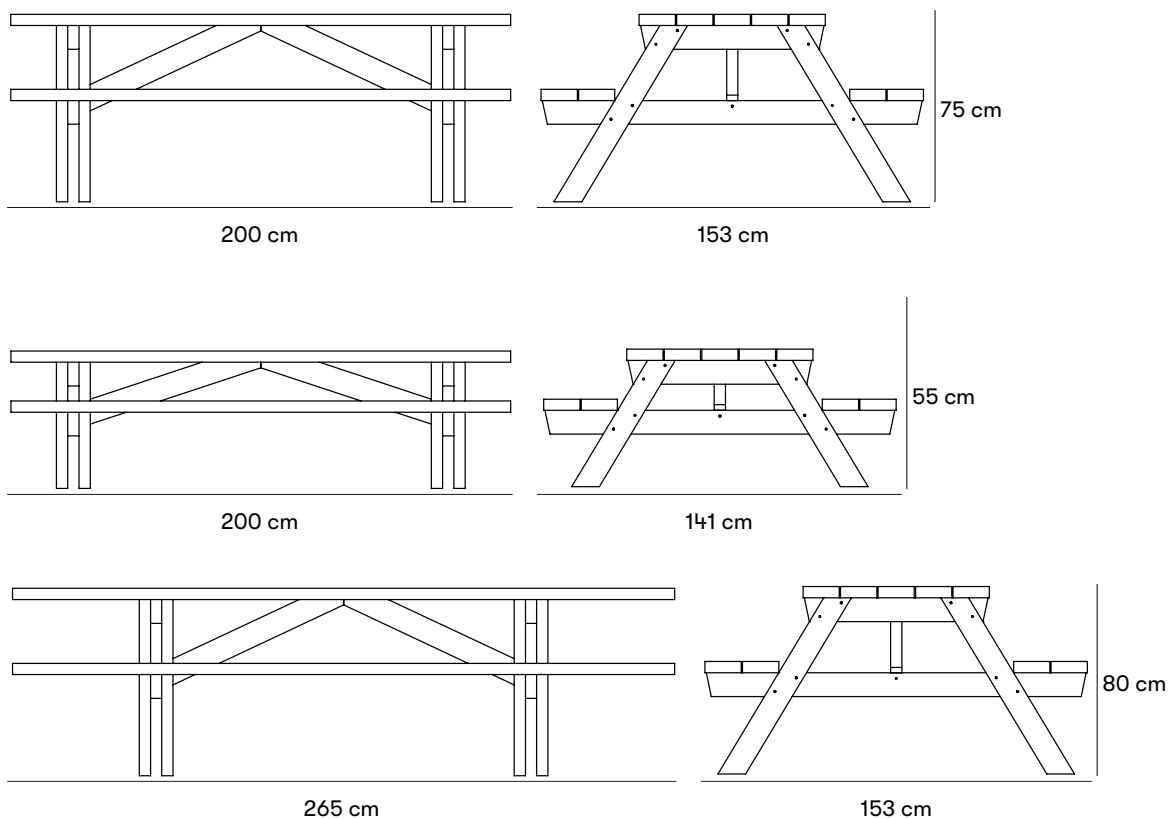
Picnic tables are designed for dining, but they can also be used for other outdoor activities. They offer a practical alternative to conventional tables and chairs, providing efficient solutions for public parks, outdoor courtyards, playgrounds, campsites and rest areas. Picnic tables are also practical choices for indoor playrooms, schools or cafeterias. Each picnic table provides seating for four to six people.

FEATURES

-  Designed for accessibility
-  Suitable for preschools and playgrounds

CERTIFICATION





Dimensions and weight

U02-05 Picnic table Length: 200 cm Width: 153 cm Height: 75 cm Weight: 60 kg

U02-06 Picnic table for children Length: 200 cm Width: 141 cm Height: 55 cm
Weight: 55 kg

U02-08 Picnic table, accessible Length: 265 cm Width: 153 cm Height: 80 cm
Weight: 65 kg

Individual dimensions

Stand and support 42 x 92 mm

Seat and table plank 42 x 142 mm

Product numbers and combinations

U02-05 Bänkbord.

U02-06 Bänkbord för barn.

U02-08 Bänkbord tillgänglighetsanpassat.

U16-55 Fastsättningsjärn. Sats om 4 st.

Append to product number

INSTALLATION TYPE

M for installation in pre-cast foundations.

N for surface mount.

Standard colours



AB-impregnerad furu

Materials and surface treatments

AB-impregnated and planed pine.

Pine

Nola's pine is of high quality and comes from sustainable forestry. Pine is an environmentally friendly, domestically produced material. Damaged or untreated pine is quite easily attacked by decomposition processes; therefore, it is particularly important to repair damaged surfaces.

Assembly and placement

Freestanding

Freestanding product that is placed directly on the ground.

Surface mount

Can be bolted above ground, to the floor or to a cast-in-place foundation. Bolts not included.

Installation in pre-cast foundations

Posts for installation in pre-cast foundations.

Assembly required.

Character

A classic outdoor design made for dining, relaxing and other activities.

Designers

Anders Nyquist

