

nola®



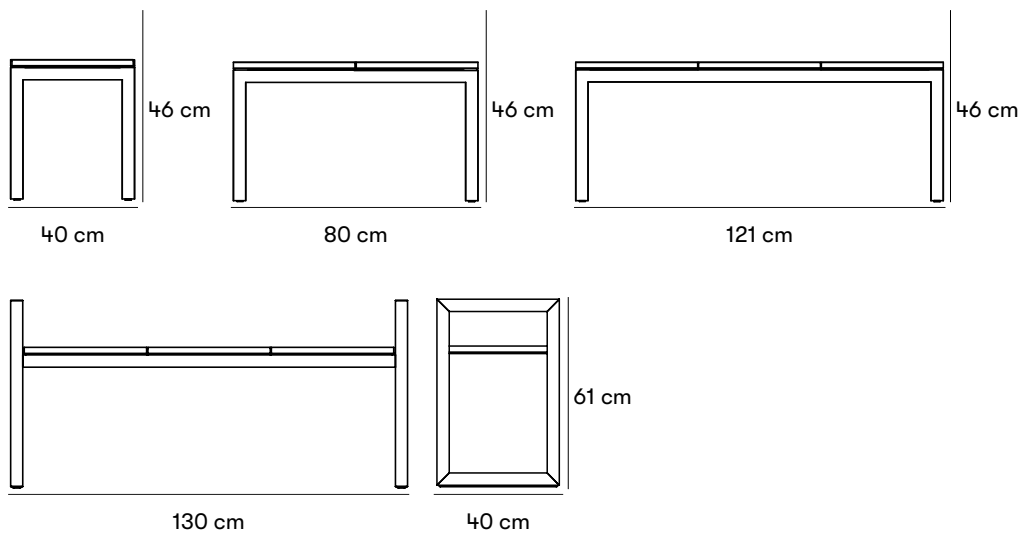
## Minimal Table and Bench

Design Ola Rune & Eero Koivisto

This streamlined table is designed for indoor entertaining. As the name implies, the table and the corresponding bench are minimal in style. When it comes to value, comfort and durability, both are maximal in performance. Minimal's simplicity will suit almost any interior, providing designs that are easy to maintain, stack and store away.

CERTIFICATION





#### Dimensions and weight

##### Minimal One-seater

Length: 40 cm  
 Width: 40 cm  
 Height: 46 cm  
 Weight: 11 kg

##### Minimal Two-seater

Length: 80 cm  
 Width: 40 cm  
 Height: 46 cm  
 Weight: 16 kg

##### Minimal Three-seater

Length: 121 cm  
 Width: 40 cm  
 Height: 46 cm  
 Weight: 21 kg

##### Material dimensions

Weight of bench with steel frame: 21 kg.  
 Weight bench in beech: 14 kg.  
 Seat thickness: 25 mm.  
 Dimensions of steel frame: 40 mm x 2 mm.  
 Dimensions of stand in beech 40 x 40 mm.

#### Product numbers and combinations

U13-20 Minimal bench 1-seater, oiled oak, varnished steel frame, indoors  
 U13-21 Minimal bench 2-seater, oiled oak, varnished steel frame, indoors  
 U13-22 Minimal bench 3-seater, oiled oak, varnished steel frame, indoors  
 U13-22A Minimal bench 3-seater with armrests, oiled oak, varnished steel frame, indoors  
 U13-25 Minimal bench 3-seater, entirely in white-oiled beech tree, indoors  
 B11-06 Startup cost for powder coating steel in a color other than standard.  
 Choose a RAL colour.

### Append to product number

#### WOOD AND FINISH

EK for oiled oak.

#### METAL SURFACE FINISH

C for optional color for a standard fee.


#### VARIANTS

A for armrests in steel.

#### INSTALLATION TYPE

N for surface mount.

### Standard colours

 RAL 9005 finstruktur

### Materials and surface treatments

#### Oak

Oak is a heavy, hard and medium tough wood. Moderately dimensionally stable in case of moisture changes. Oak wood blackens if it is exposed to moisture or wetness for a long time. However, it does not affect the other properties of the wood. Thanks to its hardness and toughness, the oak wood is suitable for furniture and other use in exposed environments.

#### Wood oil

Wood oil provides good protection against the stresses of the outdoor climate and at the same time highlights the wood's natural appearance and properties.

#### Steel

Nola uses high-quality steel with good strength in our products. Steel rusts if left untreated and must therefore be surface treated.

#### Electrogalvanized

Electrogalvanizing (also known as zinc plating) provides corrosion protection through the sacrifice of zinc ions. It is created via a zinc coating on the steel using an electric current.

#### Powder coating

Powder coating is a coating that is applied as a free-flowing, dry powder. Unlike conventional liquid paint, powder coating is usually applied electrostatically and then cured under heat or with ultraviolet light. The result is an even, hard-wearing coloured surface with the desired gloss level.

### Assembly and placement

#### Freestanding

Freestanding product that is placed directly on the ground.

#### Surface mount

Can be bolted above ground, to the floor or to a cast-in-place foundation. Bolts not included.

Fully assembled.

### Maintenance

#### Oiled oak

Oiled oak should be oiled twice a year for best protection. Good maintenance can never completely prevent stains from occurring, but oak that is not maintained will turn blacker and turn gray faster, but it still has a very long life. When re-oiling products, a finely boiled oil that penetrates the wood should be chosen over a film-forming oil.

#### Powdercoated steel

Products that are powder-coated can be touch-up painted with alkyd paint.

[Read more in our general maintenance advice at nola.se/en/care-and-maintenance](https://nola.se/en/care-and-maintenance)

#### Versions

Oiled oak with steel frame, 3 seater, 2 seater or 1 seater.

White oiled beech tree, only as 3 seater.

White oiled beech tree has no steel frame. The entire bench (seat + stand) is in white oiled beech tree.

#### Character

An efficient design that is minimal in style.

#### Designers

---

Ola Rune



Eero Koivisto



