

nola®



Hjorthagen Park Bench

Design Peter Brandt

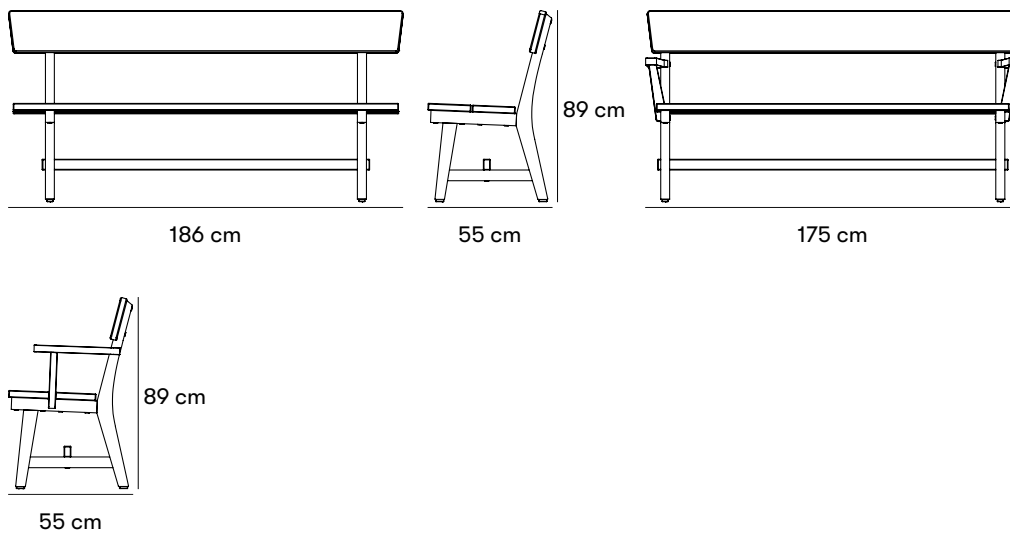
This park bench, like the table, armchairs and seats in the Hjorthagen family, carry on the Swedish tradition of painted furniture. Painted in alkyd oil enamel, this bench is durable enough for year-round use outdoors. An unpainted version of the bench is also available in oiled oak, which showcases the natural beauty of wood grain.

CERTIFICATION

Produkt listad i
Svanens Husportal



SundaHus



Dimensions and weight

Length: Soffa utan armstöd 186 cm, soffa med armstöd 175 cm
 Height: 89 cm
 Sitting height: 46 cm
 Depth: 55 cm
 Vikt: 22 kg

The legs are fitted with plastic feet to better withstand moisture.

Individual dimensions

The wood components in the seat and backrest: 32 mm x 192 mm
 Stand thickness: 42 mm

Product numbers and combinations

U16-40 Hjorthagen backed bench

U16-46 Hjorthagen backed bench with armrests

B11-07 Starting cost for another color of wood. Choose brown or grey for Linax or an NCS color for painted wood. If you want the same color on both steel and wood, choose the RAL color for both.

U16-55 Attachment hardware to Hjorthagen, set of 4

Append to product number

WOOD AND FINISH

EK for oiled oak.

MH for oiled mahogany.

SIOO for sioo:x treatment oak.

G for yellow NCS S 3060-Y20R

V for white NCS S 0502-Y

GR for green NCS S 8010-B90G





H for red-brown NCS S 4550-Y80R

C for any color other than standard, starting cost is added.

INSTALLATION TYPE

N for surface mount.

Standard colours

	NCS S 3060-Y20R (Gul)
	NCS S 0502-Y (Vit)
	NCS S 4550-Y80R (Röd)
	NCS S 8010-B90G (grön)

Materials and surface treatments

Pine

Nola's pine is of high quality and comes from sustainable forestry. Pine is an environmentally friendly, domestically produced material. Damaged or untreated pine is quite easily attacked by decomposition processes; therefore, it is particularly important to repair damaged surfaces.

Mahogany - FSC-certified

FSC-marked mahogany is a wood with good durability in the outdoor environment. In addition, it retains its color tone better than, for example, oak and teak. Mahogany lives and moves, sometimes more than teak.

Oak

Oak is a heavy, hard and medium tough wood. Moderately dimensionally stable in case of moisture changes. Oak wood blackens if it is exposed to moisture or wetness for a long time. However, it does not affect the other properties of the wood. Thanks to its hardness and toughness, the oak wood is suitable for furniture and other use in exposed environments.

Water-based glaze

Varnishing of wood is done with a water-based varnish. A water-based paint that is kinder to the environment. Under normal use, the paint has a good wear resistance and long durability.

Wood oil

Wood oil provides good protection against the stresses of the outdoor climate and at the same time highlights the wood's natural appearance and properties.

SiOO:X treatment

Sioo:x is a wood protection with environmentally friendly silicon technology. Water-based and biocide-free. We use Sioo mainly for our oak furniture. Sioo:x treatment of is suitable for all woods, outside as well as inside, and gives a light surface without pigments. The surface is UV-resistant, water-repellent and non-stick. Active and preventive action against algae, mould and pests. Also rot-proof, wood-strengthening and fire-retardant. This wood protection provides long durability and easy maintenance.

Assembly and placement

Freestanding

Freestanding product that is placed directly on the ground.

Surface mount

Can be bolted above ground, to the floor or to a cast-in-place foundation. Bolts not included.

Delivered in parts.

To be assembled with

the bolts enclosed.

The bench can be secured to the ground with fixtures ordered separately.

Maintenance

Water-based glazed pine

Products in varnished pine must be maintained regularly with alkyd paint. Maintenance intervals approximately 1 time per year. Damage and cracks should be repaired immediately. Touch-up paints in spray packaging are available in standard colors to order.

Oiled oak

Oiled oak should be oiled twice a year for best protection. Good maintenance can never completely prevent stains from occurring, but oak that is not maintained will turn blacker and turn gray faster, but it still has a very long life. When re-oiling products, a finely boiled oil that penetrates the wood should be chosen over a film-forming oil.

Oiled mahogany

Oiled mahogany should be oiled two times a year.

SiOO:X treatment oak

Sioo:x-treated products are treated twice upon delivery; once with a wood protection (Premium Träskydd Altan) and once with a surface protection (Premium Ytskydd Altan). Directly after a product has been installed, it should be treated once more with Sioo:x Premium Surface Protection Altan for best durability. After that, every 12 months. The surface protection forms a wear surface, which means that products that are exposed to severe mechanical wear may need to be treated more often than every ten years. The surface treatment has a tested effect according to the standards EN 46 and EN 113.

For information about the Sioo treatment see the website www.sioox.se.

[Read more in our general maintenance advice at nola.se/en/care-and-maintenance](http://nola.se/en/care-and-maintenance)

Versions

Oiled oak or painted pine.

Character

A modern design made with traditional Swedish wood craftsmanship.

Designers

Peter Brandt

Peter Brandt is a designer and interior architect living in Stockholm. Educated at Kungliga Konsthögskolan, the Konstfack University College of Arts in Stockholm, Crafts and Design, and Kunstakademiets Arkitektskole in Copenhagen. He has received several awards over the years as *Excellent Swedish Design* and is represented at the *Nationalmuseum*.



