

nola®

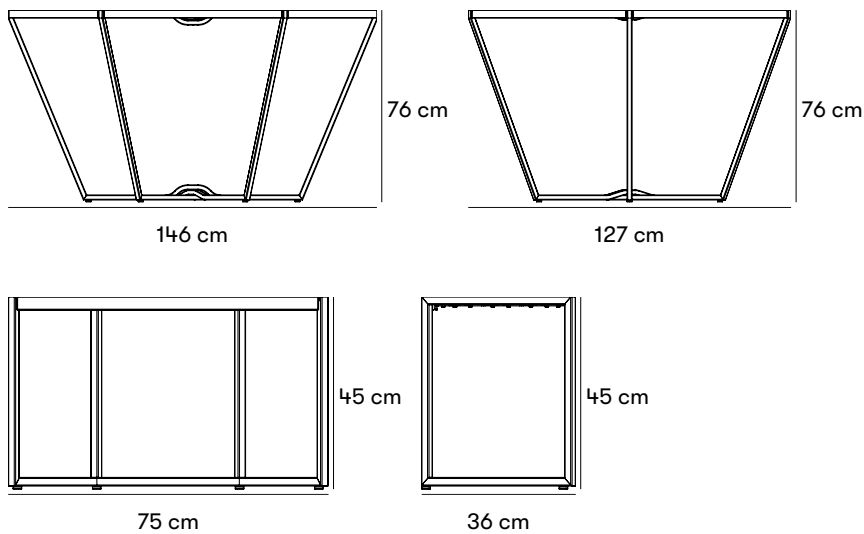


## Hexagon H22 Furniture Group

### Design In Praise of Shadows

The Hexagon H22 furniture group was inspired by the outdoor pavilion of the same name, both products designed by the Stockholm-based architectural practice known as In Praise of Shadows. The furniture group is comprised of a hexagonal table complemented by six compact seats that slot underneath the table when not in use. The motif in the centre of the tabletop evokes a wrought iron design and highlights the geometry of the table construction.

The furniture group is available in oiled oak or Linax-impregnated pine with metal parts made from zinc-plated, powder-coated steel.



#### Dimensions and weight

Table 1460 x 1275 x 750 mm. Weight 37,5 kg.

Stool 740 x 345 x 450 mm. Weight 6 kg.

#### Product numbers and combinations

U13-10 Hexagon table

U13-11 Hexagon stool

#### Append to product number

#### WOOD AND FINISH

EK for oiled oak.

LIN for linax impregnated pine.

#### Standard colours

■ RAL 7022

#### Materials and surface treatments

##### Pine

Nola's pine is of high quality and comes from sustainable forestry. Pine is an environmentally friendly, domestically produced material. Damaged or untreated pine is quite easily attacked by decomposition processes; therefore, it is particularly important to repair damaged surfaces.

##### Oak

Oak is a heavy, hard and medium tough wood. Moderately dimensionally stable in case of moisture changes. Oak wood blackens if it is exposed to moisture or wetness for a long time. However, it does not affect the other properties of the wood. Thanks to its hardness and toughness, the oak wood is suitable for furniture and other use in exposed environments.

##### Wood oil

Wood oil provides good protection against the stresses of the outdoor climate and at the same time highlights the wood's natural appearance and properties.

### **Linax**

After traditional impregnation according to NTR AB, the wood is boiled in a hot linseed oil with or without color pigments under vacuum. The oil is penetrated into the surface on all six sides, which reduces moisture absorption in the wood and gives a dimensionally stable product over time. The result is a dried product with good resistance to rot that also has long maintenance intervals. Linax-impregnated furniture is intended for outdoor environments only.

### **Steel**

Nola uses high-quality steel with good strength in our products. Steel rusts if left untreated and must therefore be surface treated.

### **Electrogalvanized**

Electrogalvanizing (also known as zinc plating) provides corrosion protection through the sacrifice of zinc ions. It is created via a zinc coating on the steel using an electric current.

### **Powder coating**

Powder coating is a coating that is applied as a free-flowing, dry powder. Unlike conventional liquid paint, powder coating is usually applied electrostatically and then cured under heat or with ultraviolet light. The result is an even, hard-wearing coloured surface with the desired gloss level.

## **Assembly and placement**

### **Freestanding**

Freestanding product that is placed directly on the ground.

## **Maintenance**

### **Oiled oak**

Oiled oak should be oiled twice a year for best protection. Good maintenance can never completely prevent stains from occurring, but oak that is not maintained will turn blacker and turn gray faster, but it still has a very long life. When re-oiling products, a finely boiled oil that penetrates the wood should be chosen over a film-forming oil.

### **Linax impregnated pine**

Linax is a linseed oil-based impregnation that provides extra long durability in outdoor environments and corresponds to impregnation class AB. The impregnated wood turns gray over time, which means that it should be re-oiled if necessary. Use a linseed-based oil for impregnated materials.

### **Powdercoated steel**

Products that are powder-coated can be touch-up painted with alkyd paint.

**[Read more in our general maintenance advice at nola.se/en/care-and-maintenance](https://nola.se/en/care-and-maintenance)**

## Designers

---

### In Praise of Shadows

