

nola®



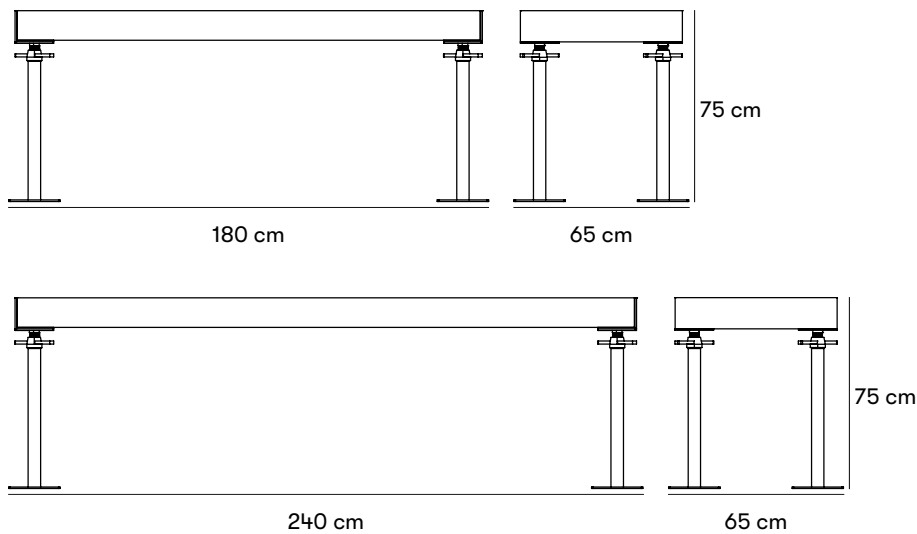
Harads Table

Design Bertil Harström & Johan Kauppi

The Harads table is part of the Harads furniture series. Its sleek design also complements other seating products in Nola's furniture series. The table's wooden surfaces will darken over time, turning grey. The wooden parts are complemented by bright yellow steel parts.

CERTIFICATION





Dimensions and weight

Length: 180 cm / 240 cm

Width: 65 cm

Height: 75 - 85 cm

Product numbers and combinations

U25-05/180 Harads table, 180 cm x 63 cm

U25-05/240 Harads table, 240 cm x 63 cm

B11-06 Additional fee for choice of non-standard colours

Append to product number

METAL SURFACE FINISH

C for any color other than standard, starting cost is added.

Standard colours

 RAL 1023

Materials and surface treatments

Steel

Nola uses high-quality steel with good strength in our products. Steel rusts if left untreated and must therefore be surface treated.

Powder coating

Powder coating is a coating that is applied as a free-flowing, dry powder. Unlike conventional liquid paint, powder coating is usually applied electrostatically and then cured under heat or with ultraviolet light. The result is an even, hard-wearing coloured surface with the desired gloss level.

Zinc powder primer

It's a thermosetting epoxy powder coating primer that can be applied on several type of metal substrates such as aluminium, steel or galvanised steel. This primer has a robust curing window, allowing excellent inter coat adhesion in direct fired ovens and gives very good edge coverage and superior corrosion protection.

SiOO:X treatment

Sioo:x is a wood protection with environmentally friendly silicon technology. Water-based and biocide-free. We use Sioo mainly for our oak furniture. Sioo:x treatment of is suitable for all woods, outside as well as inside, and gives a light surface without pigments. The surface is UV-resistant, water-repellent and non-stick. Active and preventive action against algae, mould and pests. Also rot-proof, wood-strengthening and fire-retardant. This wood protection provides long durability and easy maintenance.

Spruce

Spruce is one of the most common trees in the Nordic region. Its wood is usually softer than that of pine and it is generally less rot-resistant. Due to its straight stem and fine branching, spruce usually produces timber of good quality and is one of the most common tree species in the production of sawn building timber.

Assembly and placement

The table is delivered assembled, ready for the legs to be attached on site. The legs can be fitted into extended base plates. If installing on uneven ground, a cast-concrete foundation may yield the best results.

Maintenance

Powdercoated steel

Products that are powder-coated can be touch-up painted with alkyd paint.

SiOO:X treatment on coniferous wood

Sioo:x-treated products are treated twice upon delivery; once with a wood protection (Premium Träskydd Altan) and once with a surface protection (Premium Ytskydd Altan). After 12 - 18 months, for best durability, the surface should be treated once more with Sioo:x Premium Ytskydd Altan. It is important to keep the product clean, otherwise the surface protection can be destroyed. Products that are exposed to heavy mechanical wear may need extra treatments. The surface treatment has a tested effect according to the standards EN 46 and EN 113.

For information about the Sioo treatment see the website www.sioox.se.

[Read more in our general maintenance advice at nola.se/en/care-and-maintenance](http://nola.se/en/care-and-maintenance)

Versions

Harads table is available in two lengths. The Harads series includes a box, sundeck, planter-bench and bench.

Character

The table is part of a unique, robust furniture group that provides shelter, shade and seating as it creates a contemporary focal point.

Bertil Harström



Johan Kauppi

Johan is part of the designer duo *Kauppi & Kauppi*, with roots in the very north and south of Sweden. The design studio approaches design in all scales, from spatial projects to tactile objects in the hand's scale. Kauppi & Kauppi has received several honorable design awards such as *Swedish Design Awards*, *Archiproduct Design Awards*, *Muuuz International Design Awards*, *iF Design Award* and a handful of *German Design Awards*, to mention some of the studio's highlights.

