

nola®



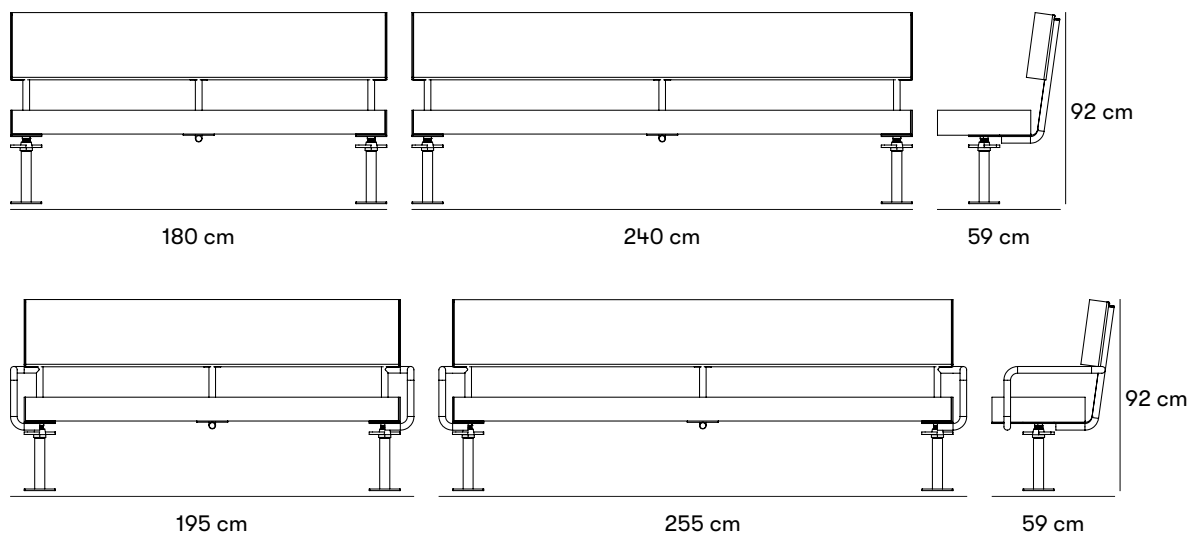
## Harads Backed bench

Design Bertil Harström & Johan Kauppi

Harads backed bench is a raw, yet refined. Its minimalistic shape is crafted from Sioo-treated spruce attached to adjustable steel legs. This product is part of the Harads furniture series, which is forging a new direction for outdoor furniture design. Each product combines with the others in the system to create original designs, or form conventional benches and tables. The backed bench's wooden surfaces will darken over time to form a subtle grey colour.

CERTIFICATION

 **SundaHus**



#### Dimensions and weight

Length: 180 cm / 240 cm  
 Width: 59 cm  
 Height: 92 cm  
 Armrest height: 15 cm  
 Sitting height: 45 - 55 cm  
 Sitting depth: 45 cm

#### Product numbers and combinations

U25-02/180 Harads backed bench 180 cm  
 U25-02/240 Harads backed bench 240 cm  
 U25-02A/180 Harads backed bench with armrest 180 cm  
 U25-02A/240 Harads backed bench with armrest 240 cm  
 B11-06 Additional fee for choice of non-standard colours

#### Append to product number

#### METAL SURFACE FINISH

C for any color other than standard, starting cost is added.

#### VARIANTS

A for Harads backed bench with armrest.

#### Standard colours

 RAL 1023

#### Materials and surface treatments

##### Steel

Nola uses high-quality steel with good strength in our products. Steel rusts if left untreated and must therefore be surface treated.

##### Powder coating

Powder coating is a coating that is applied as a free-flowing, dry powder. Unlike conventional liquid paint, powder coating is usually applied electrostatically and then cured under heat or with ultraviolet light. The result is an even, hard-wearing coloured surface with the desired gloss level.

### **Zinc powder primer**

It´s a thermosetting epoxy powder coating primer that can be applied on several type of metal substrates such as aluminium, steel or galvanised steel. This primer has a robust curing window, allowing excellent inter coat adhesion in direct fired ovens and gives very good edge coverage and superior corrosion protection.

### **SiOO:X treatment**

Sioo:x is a wood protection with environmentally friendly silicon technology. Water-based and biocide-free. We use Sioo mainly for our oak furniture. Sioo:x treatment of is suitable for all woods, outside as well as inside, and gives a light surface without pigments. The surface is UV-resistant, water-repellent and non-stick. Active and preventive action against algae, mould and pests. Also rot-proof, wood-strengthening and fire-retardant. This wood protection provides long durability and easy maintenance.

### **Spruce**

Spruce is one of the most common trees in the Nordic region. Its wood is usually softer than that of pine and it is generally less rot-resistant. Due to its straight stem and fine branching, spruce usually produces timber of good quality and is one of the most common tree species in the production of sawn building timber.

## **Assembly and placement**

Supplied in parts for assembly on site.

## **Maintenance**

### **Powdercoated steel**

Products that are powder-coated can be touch-up painted with alkyd paint.

### **SiOO:X treatment on coniferous wood**

Sioo:x-treated products are treated twice upon delivery; once with a wood protection (Premium Träskydd Altan) and once with a surface protection (Premium Ytskydd Altan). After 12 - 18 months, for best durability, the surface should be treated once more with Sioo:x Premium Ytskydd Altan. It is important to keep the product clean, otherwise the surface protection can be destroyed. Products that are exposed to heavy mechanical wear may need extra treatments. The surface treatment has a tested effect according to the standards EN 46 and EN 113.

For information about the Sioo treatment see the website [www.sioox.se](http://www.sioox.se).

**[Read more in our general maintenance advice at nola.se/en/care-and-maintenance](http://nola.se/en/care-and-maintenance)**

## **Versions**

Also available as bench, stool, chair, armchair, table, sun deck and box.

## **Character**

The bench is part of a unique and robust furniture group.

**Bertil Harström**



**Johan Kauppi**

Johan is part of the designer duo *Kauppi & Kauppi*, with roots in the very north and south of Sweden. The design studio approaches design in all scales, from spatial projects to tactile objects in the hand's scale. Kauppi & Kauppi has received several honorable design awards such as *Swedish Design Awards*, *Archiproduct Design Awards*, *Muuuz International Design Awards*, *iF Design Award* and a handful of *German Design Awards*, to mention some of the studio's highlights.



