

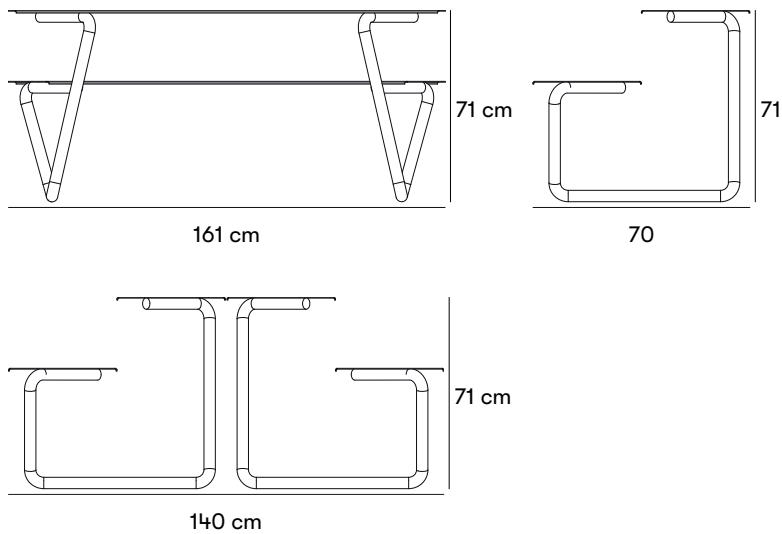
nola[®]



Clips Bench

Design Inventarrum

As a complement to our own range, we also market products from Danish [Inventarrum](#). Like Nola, Inventarrum works for high design and good thought in the public space. For more information about Clips countertops, see product sheet for download during assembly.



Dimensions and weight

Length: 161 cm
 Width: 70 cm
 Height: 71 cm
 Sitting height: 44 cm
 Sitting depth: 40 cm
 Depth: Bord 40 cm

The table can be manufactured in a special height for children on request.

Product numbers and combinations

CLIPS Clips, bench table

Append to product number

METAL SURFACE FINISH

Note! Note that if you want a "bench table" in two directions/double-sided, you must buy 2 sets.

The picture shows 2 tables opposite each other.

Powder coating is included if the quantity is more than 4 in the same colour, otherwise an extra cost is added. Enter a RAL colour.

Standard colours

Materials and surface treatments

Perforated Sheet metal.

Varmförzinkade stålrör, sits och bordskiva i 4 mm stålplatta, sits i perforerat stål Ø 20 mm hål.

Steel

Nola uses high-quality steel with good strength in our products. Steel rusts if left untreated and must therefore be surface treated.

Powder coating

Powder coating is a coating that is applied as a free-flowing, dry powder. Unlike conventional liquid paint, powder coating is usually applied electrostatically and then cured under heat or with ultraviolet light. The result is an even, hard-wearing coloured surface with the desired gloss level.

Hot-dip galvanized

Hot-dip galvanizing provides very strong protection against corrosion. The steel is dipped into a bath of hot liquid zinc. The zinc attaches and creates a surface coating on the steel part, which is then taken out of the bath and drained of excess zinc.

Maintenance

Powdercoated steel

Products that are powder-coated can be touch-up painted with alkyd paint.

[Read more in our general maintenance advice at nola.se/en/care-and-maintenance](https://nola.se/en/care-and-maintenance)

Designers

Inventarium

