

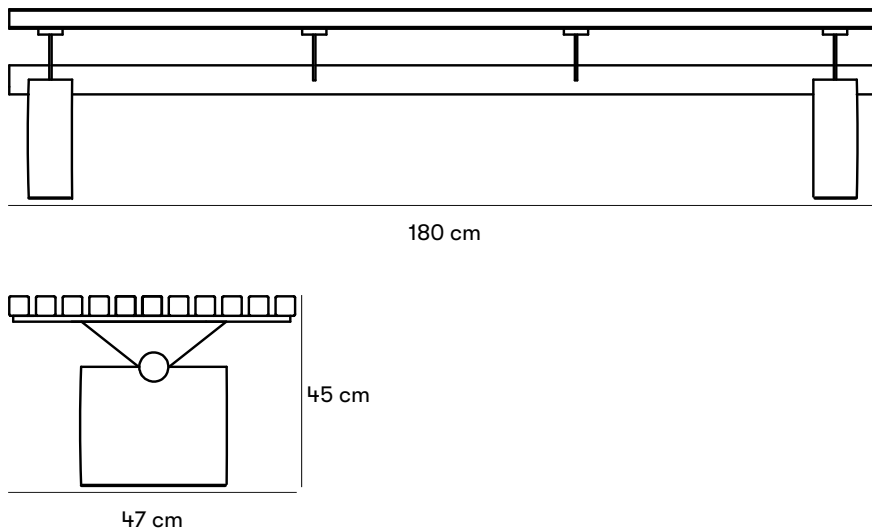
nola®



Arki Bench

Design Jessing

The Arki is a robust bench with a uniquely weightless design. The seat's vertical slats enable light to pass through its surface, creating a contrasting surface pattern. The seat rests on two symmetrical steel cubes, each balancing the surface weight between them. Arki's rectilinear profile is softened by its subtle parallel lines, enabling it to blend in with natural settings as well as architectural backgrounds.



Dimensions and weight

Length: 180 cm
 Width: 47 cm
 Height: 45 cm

Product numbers and combinations

ARKI 2712 Arki bänk
Append to product number
 WOOD AND FINISH
 JAT for jatoba.
 INSTALLATION TYPE
 M for in-ground.

Standard colours

■ RAL 9005

Materials and surface treatments

Jatoba - FSC-certified
 Our FSC-labeled Jatoba is an untreated, very hard, and strong hardwood with a long shelf life. It has a brown color with black accent stripes that changes to a deep and rich red color over time.

Steel

Nola uses high-quality steel with good strength in our products. Steel rusts if left untreated and must therefore be surface treated.

Powder coating

Powder coating is a coating that is applied as a free-flowing, dry powder. Unlike conventional liquid paint, powder coating is usually applied electrostatically and then cured under heat or with ultraviolet light. The result is an even, hard-wearing coloured surface with the desired gloss level.

Hot-dip galvanized

Hot-dip galvanizing provides very strong protection against corrosion. The steel is dipped into a bath of hot liquid zinc. The zinc attaches and creates a surface coating on the steel part, which is then taken out of the bath and drained of excess zinc.

Wood oil

Wood oil provides good protection against the stresses of the outdoor climate and at the same time highlights the wood's natural appearance and properties.

Assembly and placement**In-ground**

Cast in ground.

Maintenance

Oiled wood should be re-oiled regularly.

Jatoba

Jatoba basically requires no maintenance apart from regular wiping down.

Powdercoated steel

Products that are powder-coated can be touch-up painted with alkyd paint.

Hot dip galvanized steel

Hot-dip galvanized can be touch-up painted with so-called "cold galvanizing".

[Read more in our general maintenance advice at nola.se/en/care-and-maintenance](https://nola.se/en/care-and-maintenance)

Versions

Available in oiled wood or untreated. The frame is available in both hot-dip galvanized steel and powder-coated steel (the powder-coated steel is also hot-dip galvanized). A backed version is also available.

Character

A robust bench with a uniquely weightless design.

Designers

Jessing
